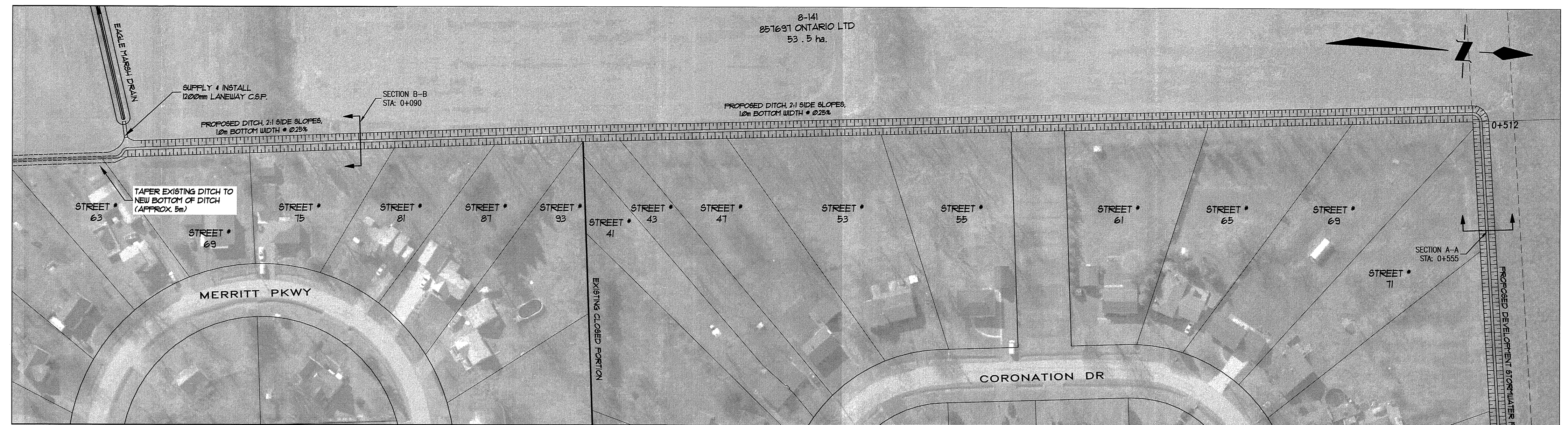
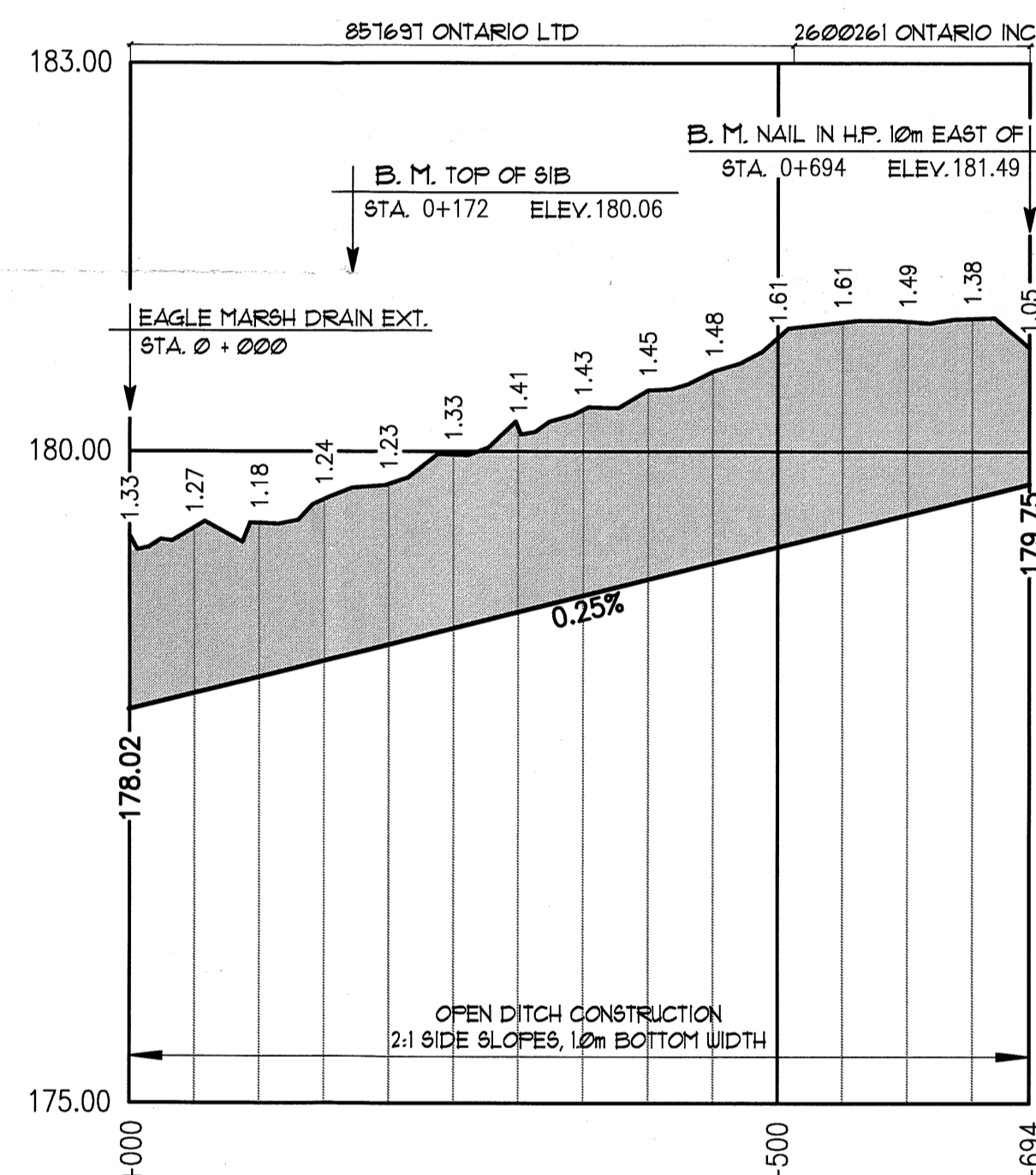


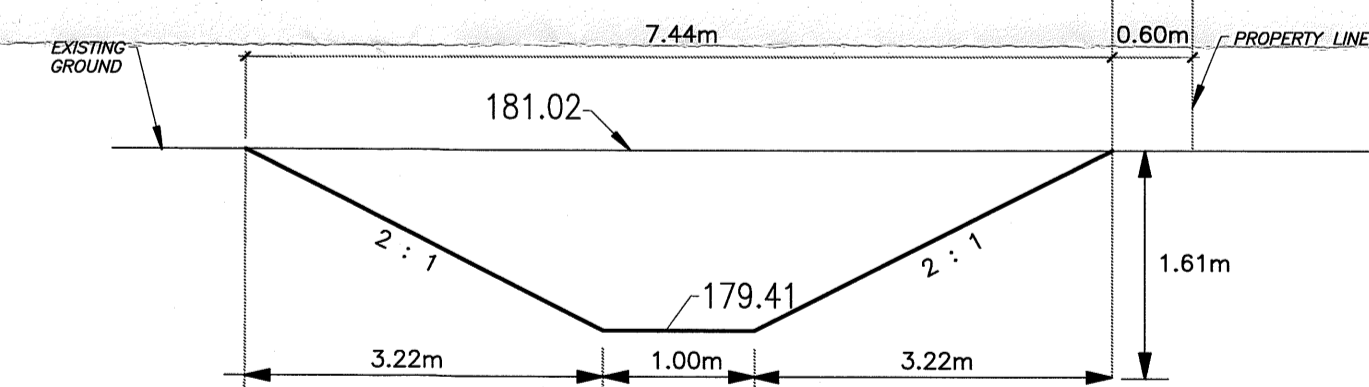
WATERSHED PLAN SCALE 1 : 2,500



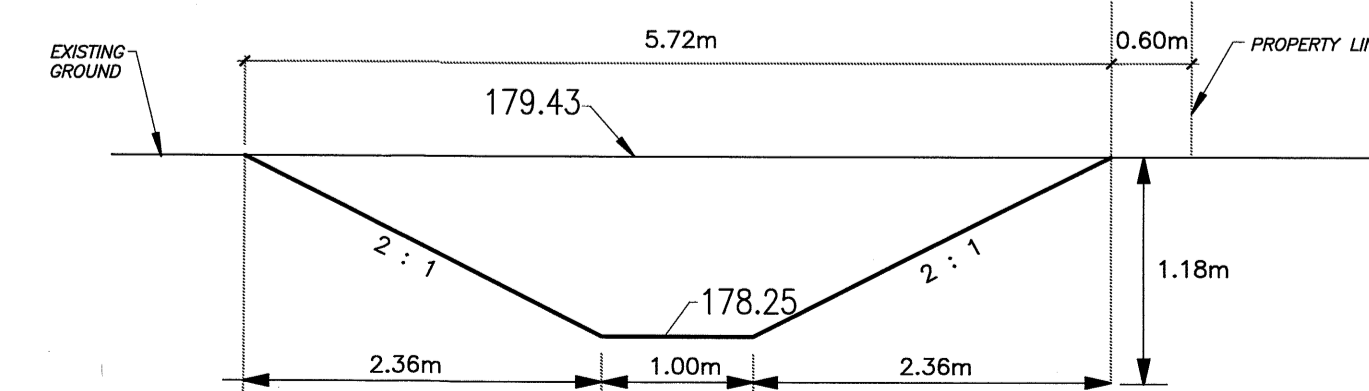
PLAN SCALE 1 : 1,000



MAIN DRAIN SCALE : HOR 1 : 5,000 VERT. 1 : 50

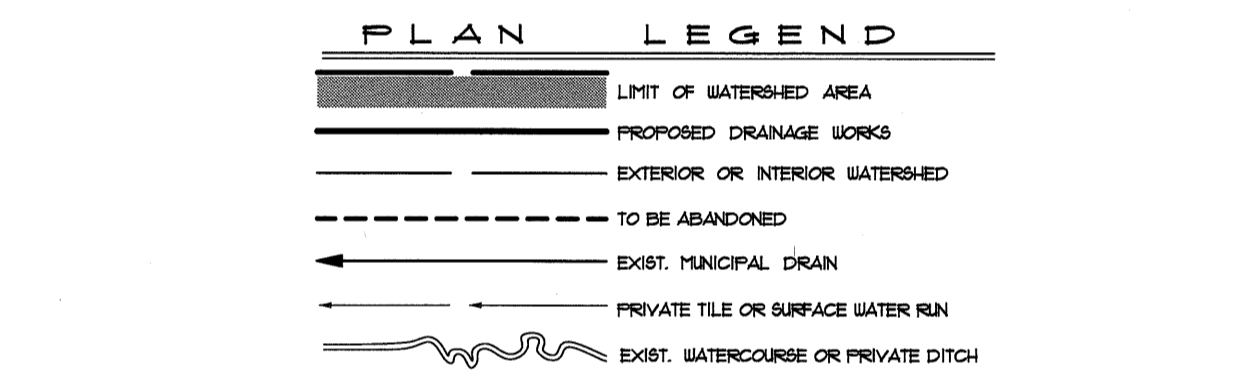


SECTION A-A NOT TO SCALE



SECTION B-B NOT TO SCALE

LOT LEGEND			LOT LEGEND		
ROLL No.	OWNERSHIP	HECTARES OWNED	ROLL No.	OWNERSHIP	HECTARES OWNED
1) 8-142	E. SPRUYT	0.20	71) 8-196	A. TEDESCO	0.32
2) 8-143	J. BENOITE	0.11	72) 8-197	R. GRAHAM	0.17
3) 8-144	A. DI MUNIZO	0.09	73) 8-197-01	M. TREMBLEY	0.17
4) 8-145	R. ROCCO	0.10	74) 8-198	J. MURRAY-SCHWEYER	0.32
5) 8-146	J. REBELLO	0.10	75) 8-199	L. GRANT	0.35
6) 8-147	W. GODIN	0.10	76) 8-200	J. WHITE	0.31
7) 8-148	R. BEAULIEU	0.11	77) 8-201	C. HALL	0.32
8) 8-148-01	R. WILCOX	0.10	78) 8-201-01	H. SCHILSTRA	0.31
9) 8-149	K. MARTEL	0.08	79) 8-202	B. DAY	0.36
10) 8-150	J. HORTON	0.20	80) 8-202-01	I. TOWNES	0.30
11) 8-151-20	J. CIOLFI	0.14	81) 8-203	M. MOREAU	0.35
12) 8-151	J. CIOLFI	0.06	82) 8-204	M. WHYNOT	0.29
13) 8-152	L. PROVOST-DODDRIDGE	0.22	83) 8-205	K. ROHE	0.21
14) 8-153	D. RUSENSTROM	0.22	84) 8-206	D. BISNETT	0.22
15) 8-154	E. HANNAH	0.27	85) 8-206-01	M. TREMBLAY	0.22
16) 8-155	L. PAQUET	0.17	86) 8-250	G. DUQUETTE	0.14
17) 8-156	M. COURSEY	0.18	87) 8-251	R. LARIVIERE	0.11
18) 8-157	M. BECKER	0.17	88) 8-251-02	D. DULLAL	0.08
19) 8-158	B. REDINGER	0.18	89) 8-208	A. MILLER	0.20
20) 8-159	M. GALLANT	0.22	90) 8-209	T. NICHOLLS	0.23
21) 8-160	J. DE WOLFF	0.26	91) 8-210	J. WASSENAAR	0.22
22) 8-161	M. COTE	0.22	92) 8-211	J. GAGNON	0.22
23) 8-162	P. KOUDUS	0.20	93) 8-212	M. BRYLIOV	0.22
24) 8-163	S. COVE	0.14	94) 8-213	J. CLARKE	0.21
25) 8-163-01	B. ROTELLA	0.11	95) 8-214	H. REID	0.22
26) 8-164	Y. VERBEEK	0.10	96) 8-215	J. CRUMB	0.10
27) 8-164-01	R. MCCORD	0.10	97) 8-216	A. BREAU	0.13
28) 8-165	I. PETER	0.14	98) 8-217	R. KIRCHMAYER	0.20
29) 8-166	A. CLEARY	0.20	99) 8-218	D. MACLEOD	0.22
30) 8-167	M. RUTHERFORD	0.10	100) 8-218-02	J. LEGGETT	0.10
31) 8-167-01	J. TROTIER	0.10	101) 8-219	M. RUBOCKI	0.11
32) 8-168-02	CORNERSTONE HOMES (NIAGARA) LIMITED	0.05	102) 8-220	A. DESIRI	0.22
33) 8-169	R. ROMANYK	0.20	103) 8-221	J. ROESCH	0.22
34) 8-170	F. GELOK	0.10	104) 8-222	P. DI PIETRO	0.22
35) 8-170-01	B. BROUGHTON	0.10	105) 8-223	G. CAPERCHONE	0.22
36) 8-171	S. CARTER	0.10	106) 8-224	D. PIDGEN	0.22
37) 8-171-01	S. DE CICCIO	0.10	107) 8-224-01	B. AGIUS	0.22
38) 8-172	I. GIANCOLA	0.10	108) 8-224-02	J. KNIGHT	0.22
39) 8-173	W. CRONSHAW	0.11	109) 8-251-01	C. D'ANGELO	0.08
40) 8-174	L. CLIFFORD	0.20	110) 8-252	L. LANGLOIS	0.14
41) 8-175	J. NOXEL	0.10	111) 8-253	S. KERNAGHAN	0.14
42) 8-176	H. LIGHT	0.20	112) 8-254-20	2600261 ONTARIO INC.	0.45
43) 8-177	J. BUJAN	0.20	113) 8-255	2751131 ONTARIO INC.	0.24
44) 8-178	J. CARBONARO	0.09	114) 8-256	2600261 ONTARIO INC.	0.13
45) 8-179	J. WIATT	0.16	115) 8-257	5050500 ONTARIO INC.	0.20
46) 8-180	R. ROTELLA	0.20	116) 8-258	S. PARISI	0.07
47) 8-181	D. TANNAHILL	0.12	117) 8-258-05	D. PARISI	0.07
48) 8-182	B. WILLIAMS	0.12	118) 8-259	J. WINGER	0.09
49) 8-182-01	P. BARBAROSSA	0.08	119) 8-260	J. VANDELAAR	0.07
50) 8-183	P.C. CITY HALL	0.20	120) 8-260-02	D. VAN DYKE	0.06
51) 8-183-01	G. SALTARELLI	0.09	121) 8-260-05	R. PROVOST	0.04
52) 8-184	W. THOMSON	0.11	122) 8-261	G. MAURER	0.04
53) 8-185	N. SULLIVAN	0.10	123) 8-254-02	R. MARR	0.11
54) 8-186	D. EMBURGH	0.10	124) 8-262	R. MARR	0.42
55) 8-187	R. LORD	0.10	125) 8-254-10	M. MUSCAT	0.07
56) 8-187-01	R. MADSEN	0.10	126) 8-254-05	S. BARRICK	0.07
57) 8-188	J. ROMANYK	0.20	127) 8-224-14	E. TODD	0.07
58) 8-247-01	G. EVANGELISTA	0.08	128) 8-224-16	E. RHULE	0.01
59) 8-248	W. CLAPP	0.16	129) 8-224-18	P.C. CITY HALL	0.13
60) 8-249	T. KOSTIUK	0.16	130) 8-225-02	C. CAMPBELL	0.13
61) 8-188-01	R. PAGLIARO	0.18	131) 8-226	C. SUNN	0.04
62) 8-189	K. VELDMAN	0.25	132) 8-227	J. PENNER	0.74
63) 8-190	S. WANDER VEEN	0.22	133) 8-227	C. LABRIE	0.28
64) 8-191	J. BENNETT	0.15	134) 8-228	T. LASOVICH	0.41
65) 8-192	J. ROTELLA	0.14	135) 8-228-05	S. MILLER	0.80
66) 8-193	B. BARNAL	0.14	136) 8-228-02	P. CHOMEY	0.07
67) 8-194	A. SUESS	0.21	137) 8-228-03	T. HUFFMAN	0.07
68) 8-195-15	K. BURKE	0.11	138) 8-229	T. TERRY	0.65
69) 8-195-10	R. DESCHAMPS	0.08	139) 8-178-20	D. JONES	0.06
70) 8-195	D. STUART	0.12	140) 8-175-01	L. STORTZ	0.10



GENERAL NOTES

- OUR SPECIFICATIONS DATED JANUARY 2020 APPLY TO THIS PROJECT.
- THE WORKING WIDTH AVAILABLE TO THE CONTRACTOR TO CONSTRUCT THE NEW DRAINS SHALL CONSIST OF THOSE LANDS IMMEDIATELY ADJACENT TO THE DRAIN AND CONNECTIONS AND SHALL NOT EXCEED THE FOLLOWING AVERAGE WIDTHS:
 - 18 meters (INCLUDING 3m BUFFER)
 - THE WORKING WIDTH FOR PURPOSES OF FUTURE MAINTENANCE SHALL BE THE SAME AS ABOVE.
- ALL OWNERS ALONG THE COURSE OF THE DRAIN SHALL MAKE AN ACCESS ROUTE FROM THE NEAREST ROAD TO THE DRAIN LOCATION AVAILABLE TO THE CONTRACTOR THE AVERAGE WIDTH OF THIS ROUTE SHALL NOT EXCEED 9 METERS. THE ACCESS ROUTE SHALL ALSO APPLY FOR FUTURE MAINTENANCE PURPOSES.
- a) ALL UTILITIES TO BE LOCATED AND EXPOSED PRIOR TO CONSTRUCTION SO THAT THE NEW TILE GRADES CAN BE CONFIRMED. IF THERE IS A CONFLICT IN ELEVATION BETWEEN THE PROPOSED DRAIN AND THE UTILITY, THE ENGINEER IS TO BE NOTIFIED IMMEDIATELY.
 b) CONTRACTOR TO NOTIFY ALL UTILITIES 72 HOURS PRIOR TO HIS SCHEDULED TIME FOR STARTING THE ABOVE WORK.
 c) THE COST FOR THIS WORK SHALL BE INCLUDED IN THE ITEM ON THE EXTENT OF WORK AND NO EXTRA PAYMENT SHALL BE MADE TO THE CONTRACTOR, EXCEPT IF ROAD RESTORATION IS REQUIRED.
- ALL TREES, SCRUB, BRUSH, ETC. TO BE CLEARED AND GRUBBED IN ACCORDANCE WITH SECTION B.3 AND C.4 SPECIFICATIONS.
- RIP-RAP TO BE SUPPLIED AND INSTALLED IN ACCORDANCE WITH SECTION A.12 IN THE SPECIFICATIONS.
- CONTRACTOR TO ARRANGE A PRE-CONSTRUCTION MEETING WITH THE ENGINEER, DRAINAGE SUPERINTENDENT, AND THE AFFECTED OWNERS. ALL PARTIES SHALL RECEIVE 48 HOURS NOTICE TO THE MEETING.

NORTHLAND ESTATES DRAIN

City of Port Colborne

Drainage Superintendent: ALANA VANDER VEEN 905-228-8127		No.	REVISIONS	DATE
Drawn By: MM	Field Book: GFS	JOB No.: 219281-2	Drawing No. 1 of 1	
Date: AUG. 14, 2024	PLAN, PROFILE, DETAILS & NOTES			

B. E. WIDNER
100213028
PROVINCE OF ONTARIO

SPRIET ASSOCIATES
LONDON CONSULTING ENGINEERS LIMITED
155 YORK STREET - LONDON (519) 672-4100 - N6A 1A8