

BIEDERMAN DRAIN
City of Port Colborne



SPRIET
ASSOCIATES
ENGINEERS & ARCHITECTS
155 York Street
London, Ontario N6A 1A8
Tel. (519) 672-4100
Fax (519) 433-9351
Email: mail@spriet.on.ca
www.spriet.on.ca

London, Ontario
January 12, 2023

BIEDERMAN DRAIN

City of Port Colborne

To the Mayor and Council of
the City of Port Colborne

Mayor and Council:

We are pleased to present our report on the construction of the Sugar Branch of the Biederman Municipal Drain and the reconstruction of the Biederman Municipal Drain, serving parts of Lots 27 to 33, Concessions 2 to 4 (geographic Humberstone) in the City of Port Colborne, parts of Lots 1 to 7, Concessions 2 to 4 in the Township of Wainfleet, and part of Lot 33, Concession 4 (geographic Humberstone), now the City of Welland.

AUTHORIZATION

This report was prepared pursuant to Sections 4 and 78 of the Drainage Act in accordance with instructions received from your Municipality with respect to a motion of Council in accordance with Section 8 of the Drainage Act.

The work on Sugar Branch was initiated by a petition signed by the Road Authority.

DRAINAGE AREA

The total watershed area as described above contains approximately 1880 hectares. The area requiring drainage for the Sugar Branch is described as the east end of Invertose Drive.

HISTORY

The Biederman Drain was last reconstructed pursuant to a report submitted by D. Ingram, P. Eng. dated March 1, 1979, and consisted of the cleanout of the drain from the old Welland Canal, west to its upstream limit in Lot 7, Concession 2, for an approximate length of 6,400 meters.

The Skelton Drain, which is tributary to the Biederman Drain, was last reconstructed pursuant to a report submitted by B. Widner, P. Eng dated October 29, 2019, and consisted of a cleanout of the entire drain from the Biederman Drain to its upstream limits at Lot 3, Concession 4, in the Township of Wainfleet for an approximate total length of 3,860 meters. A number of road and farm crossings were also replaced at this time.



EXISTING DRAINAGE CONDITIONS

A site meeting was held on February 11, 2020, with respect to the project and through later discussions, the owners reported the following:

- the Drainage Superintendent for the City of Port Colborne indicated that the Skelton Drain, which is tributary to the Biederman Drain, was scheduled for improvements later in the year, that the Biederman Drain also required maintenance work, and that the current Schedules were out of date
- the Drainage Superintendent for the Township of Wainfleet indicated that the drain was frequently obstructed by beavers, very overgrown in their portion, and that the Schedules were out of date due to watershed changes associated with the quarry
- that the landowner, Lowland Farms Ltd. (Roll No. 1-261), requested a new farm access culvert over the drain
- the Niagara Peninsula Conservation Authority (N.P.C.A.) indicated that there are multiple channels coming from the north and they wanted the drainage maintained as they intend to install private water control structures on them

A field investigation and survey were completed. Upon reviewing our findings, we note the following:

- that the Biederman Drain, which outlets into the Welland Canal, is subject to seasonal water level fluctuations controlled by the St. Lawrence Seaway Authority and beyond the control of the drain
- that the drain has silted in and requires maintenance to restore it back to the original design grade
- that the culverts on the drain are in disrepair, narrow, or too shallow, and should be replaced
- the existing private ditch, just west of the old canal, could be improved to provide a proper outlet for the end of Invertose Drive
- a new farm culvert could easily be installed on Lowland Farms Ltd. (Roll No. 1-261) to provide access to the northerly portion of their lands

Preliminary design, cost estimates and assessments were prepared, and an informal public meeting was held on April 6, 2022 to review the findings and preliminary proposals. Further input and requests were provided by the affected owners at that time and at later dates. Based on the proposed design it was decided to proceed with the report.



DESIGN CONSIDERATIONS

The proposed design and report have been generally completed using the “GUIDE FOR ENGINEERS WORKING UNDER THE DRAINAGE ACT IN ONTARIO” OMAFRA Publication 852.

The new road culverts being installed on Townline Road and Biederman Road were designed to a 10-year storm event and the farm and access culverts were designed to a 2-year storm event.

RECOMMENDATIONS

We are therefore recommending the following:

- that the Main Drain be cleaned from its outlet at the old Welland Canal in the City of Port Colborne, west to its head in the Township of Wainfleet at the Lots 6 and 7 lot line, Concession 2, for a total length of approximately 6,960 lineal meters
- that the existing road and rail crossings under Elm Street, Harbour Line Railway, Stonebridge Drive, and Highway 58 be cleaned out and the excavated material disposed off site.
- that new road culverts be installed under Townline Road and Biederman Road
- that new access culverts be installed for the N.P.C.A. (Roll No. 7-002) and for Lowland Farms Ltd. (Roll No. 1-261)
- that beaver cones be installed on the upstream end of the Townline Road culvert and the N.P.C.A. culvert to help mitigate frequent blocking by beavers
- that the existing culvert under Barrick Road be removed and disposed of
- that a new drain be constructed from the existing private ditch located adjacent to the Welland Canal. This drain will start, and referred to as the Sugar Branch at Sta. 0+083 of the Biederman Drain and head south through the lands of the City of Port Colborne (Roll No. 37-092) to its head at the south side of Invertose Drive, for a total length of approximately 523 lineal meters
- that the existing Branch “A” have a new grade of future maintenance provided, but the drain is in good functioning condition and currently not requiring any improvements
- that the existing Branch “B” be cleaned out and improved from the Biederman Drain, south to the upstream side of Barrick Road, for an approximate length of 98 lineal meters
- that the multiple surface runs and outlet pipes be protected with quarry stone rip-rap to minimize erosion and sediment to the ditch
- that the water levels in the drain will vary depending on the Seaway Authority and are not controlled by the cleanout



ENVIRONMENTAL CONSIDERATIONS AND MITIGATION MEASURES

There is a significant wetland within and adjacent the affected watershed area and south of the route of the drain, this is referred to as the Wainfleet Bog Wetland Complex. There are records of species in the area which are noted as a special concern, those being Grass Pickerel, Eastern Ribbon snake, and Massasauga Rattlesnake. It should be noted that both municipalities have mitigation plans in place for dealing with Species at Risk and these individual plans will be followed for construction activities.

This project has been reviewed by the Fisheries Protection Program of Fisheries & Oceans Canada, File Number (19-HCAA-01802) and a site visit was conducted on September 26, 2022, the following was then recommended to be incorporated into the project:

Sta 0+000 – Sta 4+035 (Welland Canal to Townline Road) –
Class E2 Classification (City of Port Colborne)

- Incorporate 1-2 refuge pools/sediment traps in this portion
- Work in the dry or during periods of low flow
- Ensure floodplain connection is maintained by leaving adjacent terrestrial vegetation

Sta 4+035 – Sta 6+960 (Townline Road to Upstream Limit) –
Class E2 Classification (Township of Wainfleet)

- Conduct in-water undertakings and activities during periods of low flow
- Limit the duration of in-water works, undertakings and activities so that it does not diminish the ability of fish to carry out one or more of their life processes (spawning, rearing, feeding, migrating)
- Implement erosion and sediment control plan to avoid the introduction of sediment into any waterbody during all phases of the work, undertaking or activity
- Incorporate refuge pools/sediment traps in this portion every 100-200m
- Two stage/low flow channel not to exceed half the width of the drain at that location

We are also recommending that the following erosion and sediment control measures be included as part of our reconstruction proposal to help mitigate any potential adverse impacts of the proposed drainage works on water quality and fishery habitat:

- a cleanout of the ditch bottom only has been specified so that the existing bank vegetation is not disturbed. However, where the existing banks are unstable, or may become unstable, they are to be re-sloped and seeded as noted on the plans
- a 3-meter-wide grassed buffer strip between the top of the bank and any adjacent cultivated lands on the working side of the ditch is to be incorporated and/or be constructed in accordance with the attached plans
- quarry stone rock chutes are to be constructed at surface inlet points to reduce erosion from direct surface water access into the ditch

It is to be noted that both the existing and newly vegetated banks as well as the existing natural and newly created buffer strips along each side of the ditch are permanent parts of the Biederman Municipal Drain and shall not be disturbed or destroyed.



SUMMARY OF PROPOSED WORK

The proposed work consists of approximately 7,581 lineal meters of open ditch cleanout including quarry stone rip-rap bank protection, rock chutes, bank seeding, construction of access, farm, road culverts and sediment basins.

The following is a summary of the work to be completed on each individual property

MAIN DRAIN

Sta. 0+000 – Sta. 0+792 *Unopened Road Allowance*

- Work to be completed from the south side
- Mechanical brushing and clearing of trees
- Seeding of ditch banks and buffer strips

Sta. 0+792 – Sta. 0+825 *Elm Street*

- Clean through existing 3.5m span concrete culvert under Elm Street
- Excavated material to be removed and disposed of off site

Sta. 0+825 – Sta. 0+894 *Unopened Road Allowance*

- Work to be completed from the North side
- Mechanical brushing and clearing of trees
- Cleanout of existing ditch bottom banks to be left undisturbed where possible
- Seeding of ditch banks and buffer strips

Sta. 0+894 – Sta. 0+924 *Harbour Line Railway*

- Clean through existing triple culverts under railway
- Excavated material to be removed and disposed of off site

Sta. 0+924 – Sta. 1+263 *Unopened Road Allowance*

- Work to be completed from the North side
- Mechanical brushing and clearing of trees
- Cleanout of existing ditch bottom banks to be left undisturbed where possible
- Seeding of ditch banks and buffer strips

Sta. 1+263 – Sta. 1+934 *Regional Municipality of Niagara*

- Work to be completed from the East side
- Mechanical brushing and clearing of trees
- Cleanout of existing ditch bottom banks to be left undisturbed where possible
- Seeding of ditch banks and buffer strips

Sta. 1+934 – Sta. 2+257 *City of Port Colborne*

- Work to be completed from the South / East side
- Mechanical brushing and clearing of trees
- Cleanout of existing ditch bottom banks to be left undisturbed where possible
- Seeding of ditch banks and buffer strips



SUMMARY OF PROPOSED WORK (cont'd)Sta. 2+257 – Sta. 2+281 Stonebridge Drive

- Clean through existing 3.5m span culvert under Stonebridge Drive
- Excavated material to be removed and disposed of off site

Sta. 2+281 – Sta. 2+439 2440240 Ontario Inc.

- Work to be completed from the South / East side
- Mechanical brushing and clearing of trees
- Cleanout of existing ditch bottom banks to be left undisturbed where possible
- 1 refuge pool/sediment trap in this portion
- Seeding of ditch banks and buffer strips

Sta. 2+439 – Sta. 2+474 Highway No.58

- Clean through existing 3.0m double span concrete culvert under Highway No. 58
- Excavated material to be removed and disposed of off site

Sta. 2+474 – Sta. 2+534 Infrastructure Ontario

- Work to be completed from the North Side
- Mechanical brushing and clearing of trees
- Cleanout of existing ditch bottom banks to be left undisturbed where possible
- Seeding of ditch banks and buffer strips

Sta. 2+534 – Sta. 2+973 H. Wang

- Work to be completed from the North Side
- Mechanical brushing and clearing of trees
- Cleanout of existing ditch bottom banks to be left undisturbed where possible
- Seeding of ditch banks and buffer strips

Sta. 2+973 – Sta. 3+324 Fay Farms Trucking and Excavation Inc.

- Work to be completed from the North Side
- Mechanical brushing and clearing of trees
- Cleanout of existing ditch bottom banks to be left undisturbed where possible
- Seeding of ditch banks and buffer strips

Sta. 3+324 – Sta. 3+433 K. Kendall

- Work to be completed from the North Side
- Mechanical brushing and clearing of trees
- Cleanout of existing ditch bottom banks to be left undisturbed where possible
- Seeding of ditch banks and buffer strips

Sta. 3+433 – Sta. 3+545 S. Kendall

- Work to be completed from the North Side
- Mechanical brushing and clearing of trees
- Cleanout of existing ditch bottom banks to be left undisturbed where possible
- Seeding of ditch banks and buffer strips



SUMMARY OF PROPOSED WORK (cont'd)Sta. 3+545 – Sta. 3+568 Unopened Road (Minor Road)

- Work to be completed from the North Side
- Mechanical brushing and clearing of trees
- Cleanout of existing ditch bottom banks to be left undisturbed where possible
- Seeding of ditch banks and buffer strips

Sta. 3+568 – Sta. 3+863 T. Rodrigue

- Work to be completed from the North Side
- Mechanical brushing and clearing of trees
- Cleanout of existing ditch bottom banks to be left undisturbed where possible
- Seeding of ditch banks and buffer strips

Sta. 3+863 – Sta. 3+902 J. Adair

- Work to be completed from the North Side
- Mechanical brushing and clearing of trees
- Cleanout of existing ditch bottom banks to be left undisturbed where possible
- Seeding of ditch banks and buffer strips

Sta. 3+902 – Sta. 3+932 G. Adair

- Work to be completed from the North Side
- Mechanical brushing and clearing of trees
- Cleanout of existing ditch bottom banks to be left undisturbed where possible
- Seeding of ditch banks and buffer strips

Sta. 3+932 – Sta. 3+968 M. Lamontagne

- Work to be completed from the North Side
- Mechanical brushing and clearing of trees
- Cleanout of existing ditch bottom banks to be left undisturbed where possible
- Seeding of ditch banks and buffer strips

Sta. 3+968 – Sta. 4+035 G. Adair

- Work to be completed from the North Side
- Mechanical brushing and clearing of trees
- Cleanout of existing ditch bottom banks to be left undisturbed where possible
- 1 refuge pool/sediment trap in this portion
- Seeding of ditch banks and buffer strips

Sta. 4+035 – Sta. 4+057 Unopened Road (Townline Road)

- Remove and dispose of existing Twin C.S.P.'s
- Install 14m of 1600mm diameter C.S.P. for new road crossing
- Install quarry stone riprap on each end of new culvert



SUMMARY OF PROPOSED WORK (cont'd)Sta. 4+057 – Sta. 4+493 *Niagara Peninsula Conservation Authority*

- Work to be completed from the North Side
- Mechanical brushing and clearing of trees
- Cleanout of existing ditch bottom banks to be left undisturbed where possible
- 4 refuge pool/sediment trap in this portion
- Seeding of ditch banks and buffer strips

Sta. 4+493 – Sta. 4+513 *Unopened Road (Youngs Road)*

- Work to be completed from the North Side
- Mechanical brushing and clearing of trees
- Cleanout of existing ditch bottom banks to be left undisturbed where possible
- 4 refuge pool/sediment trap in this portion
- Seeding of ditch banks and buffer strips

Sta. 4+513 – Sta. 5+349 *Niagara Peninsula Conservation Authority*

- Work to be completed from the North Side
- Mechanical brushing and clearing of trees
- Cleanout of existing ditch bottom banks to be left undisturbed where possible
- 8 refuge pool/sediment trap in this portion
- Backfill existing ditch from North and install 375mm H.D.P.E. culvert (2 Locations)
- Seeding of ditch banks and buffer strips

Sta. 5+349 – Sta. 5+373 *Unopened Road (Erie Peat Road)*

- Work to be completed from the North Side
- Mechanical brushing and clearing of trees
- Cleanout of existing ditch bottom banks to be left undisturbed where possible
- Seeding of ditch banks and buffer strips

Sta. 5+373 – Sta. 5+500 *Niagara Peninsula Conservation Authority*

- Work to be completed from the South Side
- Mechanical brushing and clearing of trees
- Cleanout of existing ditch bottom banks to be left undisturbed where possible
- 2 refuge pool/sediment trap in this portion
- Backfill existing ditch from North and install 375mm H.D.P.E
- Seeding of ditch banks and buffer strips
- Remove and dispose of existing 1500mm diameter C.S.P. special consideration should be provided in preserving the existing historical railway over the existing crossing
- Install 14m of 1500mm diameter C.S.P. for new access crossing

Sta. 5+500 – Sta. 5+529 *Unopened Road (Barrick Road)*

- Work to be completed from the South Side
- Mechanical brushing and clearing of trees
- Cleanout of existing ditch bottom banks to be left undisturbed where possible
- Seeding of ditch banks and buffer strips



SUMMARY OF PROPOSED WORK (cont'd)Sta. 5+529 – Sta. 5+940 Lowland Farms Ltd

- Work to be completed from the South Side
- Mechanical brushing and clearing of trees
- Cleanout of existing ditch bottom banks to be left undisturbed where possible
- 2 refuge pool/sediment trap in this portion
- Seeding of ditch banks and buffer strips
- Install 14m of 1500mm diameter C.S.P. for new access crossing

Sta. 5+940 – Sta. 6+436 Waterford Sand and Gravel Ltd.

- Work to be completed from the South Side
- Mechanical brushing and clearing of trees
- Cleanout of existing ditch bottom banks to be left undisturbed where possible
- 2 refuge pool/sediment trap in this portion
- Seeding of ditch banks and buffer strips

Sta. 6+436 – Sta. 6+460 Biederman Road

- Remove and dispose of existing 1500mm diameter C.S.P.
- Install 14m of 1500mm diameter C.S.P. for new access crossing

Sta. 6+460 – Sta. 6+700 Erie Tracker Outfitters Ltd.

- Work to be completed from the North Side
- Mechanical brushing and clearing of trees
- Cleanout of existing ditch bottom banks to be left undisturbed where possible
- Seeding of ditch banks and buffer strips

Sta. 6+700 – Sta. 6+960 Paul Cameron Holdings Ltd.

- Work to be completed from the North Side
- Mechanical brushing and clearing of trees
- Cleanout of existing ditch bottom banks to be left undisturbed where possible
- Seeding of ditch banks and buffer strips

BRANCH “B”Sta. 0+000 – Sta. 0+078 Niagara Peninsula Conservation Authority

- Work to be completed from the East Side
- Mechanical brushing and clearing of trees
- Cleanout of existing ditch bottom banks to be left undisturbed where possible

Sta. 0+078 – Sta. 0+098 Unopened Road Allowance - Barrick Road

- Work to be completed from the East Side
- Mechanical brushing and clearing of trees
- Cleanout of existing ditch bottom banks to be left undisturbed where possible



SUMMARY OF PROPOSED WORK (cont'd)

SUGAR BRANCH

Sta. 0+000 – Sta. 0+510 *City of Port Colborne*

- Work to be completed from the West Side
- Mechanical brushing and clearing of trees
- Install 8m-900mm C.S.P. for access over drain for maintenance purposes
- Cleanout of existing ditch bottom banks to be left undisturbed where possible

Sta. 0+510 – Sta. 0+523 *Unopened Road Allowance – Invertose Drive*

- Work to be completed from the West Side
- Mechanical brushing and clearing of trees
- Cleanout of existing ditch bottom banks to be left undisturbed where possible

SCHEDULES

Four schedules are attached hereto and form part of this report, being Schedule 'A' - Allowances, Schedule 'B' - Cost Estimate, Schedule 'C' - Assessment for Construction, and Schedule 'D' - Assessment for Maintenance.

Schedule 'A' - Allowances. In accordance with Sections 29 and 30 of the Drainage Act, allowances are provided for right-of-way and damages to lands and crops along the route of the drain as defined below.

Schedule 'B' - Cost Estimate. This schedule provides for a detailed cost estimate of the proposed work which is in the amount of \$ 518,000.00. This estimate includes engineering and administrative costs associated with this project. The assessed cost in the City of Port Colborne is \$211,069.00, the assessed cost in the Township of Wainfleet is \$306,396.00, and the assessed cost in the City of Welland is \$535.00.

Schedule 'C' - Assessment for Construction. This schedule outlines the distribution of the total estimated cost of construction over the roads and lands which are involved.

Schedule 'D' - Assessment for Maintenance. In accordance with Section 38 of the Drainage Act, this schedule outlines the distribution of future repair and/or maintenance costs for portions of, or the entire drainage works.

Drawing No.'s 1 to 3, Job No. 219271, and specifications form part of this report. They show and describe in detail the location and extent of the work to be done and the lands which are affected.

ALLOWANCES

DAMAGES: Section 30 of the Drainage Act provides for the compensation to landowners along the drain for damages to lands and crops caused by the construction of the drain. The amount granted is based on \$2,500.00/ha. for open ditch work with excavated material levelled adjacent to drain. This base rate is multiplied by the hectares derived from the working widths shown on the plans and the applicable lengths.

ALLOWANCES (cont'd)

RIGHT-OF-WAY Section 29 of the Drainage Act provides for an allowance to the owners whose land must be used for the construction, repair, or future maintenance of a drainage works.

For open ditches, the allowance provides for the loss of land due to the construction provided for in the report. The amounts granted are based on the value of the land, and the rate used was \$25,000.00/ha. When any buffer strip is incorporated and/or created, the allowance granted is for any land beyond a 1.8-meter width deemed to have always been part of the drain. For existing open ditches, the right-of-way to provide for the right to enter and restrictions imposed on those lands, is deemed to have already been granted.

ASSESSMENT DEFINITIONS

In accordance with the Drainage Act, lands that make use of a drainage works are liable for assessment for part of the cost of constructing and maintaining the system. These liabilities are known as benefit, outlet liability and special benefit liability as set out under Sections 22, 23, 24 and 26 of the Act.

BENEFIT as defined in the Drainage Act means the advantages to any lands, roads, buildings or other structures from the construction, improvement, repair, or maintenance of a drainage works such as will result in a higher market value or increased crop production or improved appearance or better control of surface or sub-surface water, or any other advantages relating to the betterment of lands, roads, buildings, or other structures.

OUTLET liability is assessed to lands or roads that may make use of a drainage works as an outlet either directly or indirectly through the medium of any other drainage works or of a swale, ravine, creek, or watercourse.

In addition, a Public Utility or Road Authority shall be assessed for and pay all the increased cost to a drainage works due to the construction and operation of the Public Utility or Road Authority. This may be shown as either benefit or special assessment.

ASSESSMENT

A modified "Todgham Method" was used to calculate the assessments shown on Schedule 'C'- Assessment for Construction. This entailed breaking down the costs of the drain into sections along its route. Special Assessments were then extracted from each section.

The remainder is then separated into Benefit and Outlet costs. The Benefit cost is distributed to those properties receiving benefit as defined under "Assessment Definitions", with such properties usually being located along or close to the route of the drain. The Outlet Costs are distributed to all properties within the watershed area of that section on an adjusted basis. The areas are adjusted for location along that section, and relative run-off rates. Due to their different relative run-off rates, forested lands have been assessed for outlet at lower rates than cleared lands. Also, roads and residential properties have been assessed for outlet at higher rates than cleared farmlands.



ASSESSMENT (cont'd)

The actual cost of the work involving this report, with the exception of Special Assessments, is to be assessed on a pro-rata basis against the lands and roads liable for assessment for benefit, outlet, and for special assessments as shown in detail below and on Schedule 'C' - Assessment for Construction. The Special Assessments shall be levied as noted in the Section "Special Assessment".

SPECIAL ASSESSMENT

In accordance with Section 26 of the Drainage Act, Special Assessments have been made against the City of Port Colborne being the increased cost to the drainage work for cleaning through the culverts on roads and railways or installing new culverts across their road allowances on the Main Drain, due to the construction and operation of their roads/railways. The Special Assessments shall be made up of the actual cost of this work and both the final and estimated values of the Special Assessment are to be calculated as follows:

Drain	Cost of Work	Plus Administration Cost	Plus Interest & Net H.S.T.	Special Assessment
Elm Street (cleaning)	\$6,400.00	\$1,800.00	\$210.00	\$8,410.00
Harbour Line Railway (cleaning)	\$7,900.00	\$2,100.00	\$250.00	\$10,250.00
Stonebridge Drive (cleaning)	\$5,900.00	\$1,700.00	\$190.00	\$7,790.00
Townline Rd. (50%) 1600mm CSP	\$13,700.00	\$2,500.00	\$410.00	\$16,610.00

The above special assessments shall not apply for future maintenance purposes.

If the City of Port Colborne elects to perform the work themselves, the above Special Assessments shall be reduced by \$33,900.00. Otherwise, this portion of the work shall be included in the general contract.

In accordance with Section 26 of the Drainage Act, Special Assessments have been made against the Township of Wainfleet being the increased cost to the drainage work for installing a C.S.P. pipe across their road allowances on the Main Drain due to the construction and operation of Townline Road and Biederman Road. The Special Assessments shall be made up of the actual cost of this work and both the final and estimated values of the Special Assessment are to be calculated as follows:

SPECIAL ASSESSMENT (cont'd)

Drain	Cost of Work	Plus Administration Cost	Plus Interest & Net H.S.T.	Special Assessment
Townline Rd. (50%) 1600mm CSP	\$13,700.00	\$2,500.00	\$410.00	\$16,610.00
Biederman Rd. 1500mm CSP	\$23,500.00	\$4,900.00	\$710.00	\$29,110.00

The above special assessments shall not apply for future maintenance purposes.

If the Township of Wainfleet elects to perform the work themselves, the above Special Assessment shall be reduced by \$40,000.00. Otherwise, this portion of the work shall be included in the general contract.

In accordance with Section 26 of the Drainage Act, a Special Assessment has been made against the Ministry of Transportation being the increased cost to the drainage work for cleaning across their road allowance on the Main Drain, due to the construction and operation of Highway 58. The Special Assessment shall be made up of the actual cost of this work and both the final and estimated values of the Special Assessment are to be calculated as follows:

Drain	Cost of Work	Plus Administration Cost	Plus, Interest & Net H.S.T.	Special Assessment
3m span concrete culvert	\$15,900.00	\$3,900.00	\$500.00	\$20,300.00

The above special assessments shall not apply for future maintenance purposes.

If the Ministry of Transportation elects to perform the work themselves, the above Special Assessment shall be reduced by \$15,900.00. Otherwise, this portion of the work shall be included in the general contract.

If any additional work is required to the drainage works due to the existence of buried utilities such as gas pipelines, communications cables, etc. or if any of the utilities require relocation or repair, then, the extra costs incurred shall be borne by the utility involved in accordance with the provisions of Section 26 of the Drainage Act.

GRANTS

In accordance with the provisions of Section 85 of the Drainage Act, a grant **may** be available for assessments against privately owned parcels of land which are used for agricultural purposes and eligible for the Farm Property Class Tax rate. Section 88 of the Drainage Act directs the Municipality to make application for this grant upon certification of completion of this drain. The Municipality will then deduct the grant from the assessments prior to collecting the final assessments.

MAINTENANCE

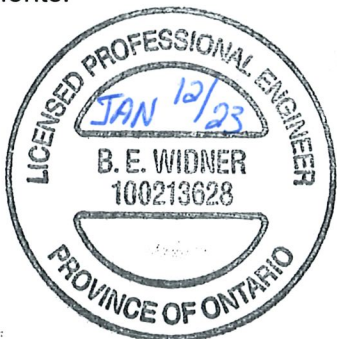
Upon completion of construction, all owners are hereby made aware of Sections 80 and 82 of the Drainage Act which forbid the obstruction of or damage or injury to a municipal drain.

After completion, the entire portion of the Biederman Drain located within the City of Port Colborne shall be maintained by the City of Port Colborne and the entire portion of the Biederman Drain located within the Township of Wainfleet shall be maintained by the Township of Wainfleet at the expense of all upstream lands and roads assessed in Schedule 'D' - Assessment for Maintenance and in the same relative proportions until such time as the assessment is changed under the Drainage Act.

Special Assessments shall **not** be pro-rated for future maintenance purposes.

Repairs or improvements to any road and railway culvert or bridge or sub-surface road crossing required by the performance of this work and for future repair and/or replacement, shall be the responsibility of the applicable Road and Railway Authority, entirely at their cost.

After completion, the new access and farm culvert constructed under this report shall be maintained by their respective municipality at the expense of all upstream lands and roads assessed in the following in the following manner, maintenance repair or replacement costs shall be levied 50% to the affected owner and the remainder shall be pro-rated over the upstream outlet assessments.



Respectfully submitted,

SPRIET ASSOCIATES LONDON LIMITED

A handwritten signature in blue ink that reads "B. E. Widner".

B. Widner, P.Eng.

SCHEDULE 'A' - ALLOWANCES

BIEDERMAN DRAIN

City of Port Colborne

In accordance with Sections 29 and 30 of the Drainage Act, we determine the allowances payable to owners entitled thereto as follows:

CONCESSION	LOT	ROLL NUMBER (Owner)	Section 29 Right-of-Way	Section 30 Damages	TOTALS
MAIN DRAIN					
<i>City of Port Colborne</i>					
3	29 & 30	37-102 (Regional Municipality of Niagara)	\$ 1,510.00	\$ 3,020.00	\$ 4,530.00
3	Pt. 29	37-135 (City of Port Colborne)	730.00	1,450.00	2,180.00
3	Pt. 30	37-140 (2440240 Ontario Inc.)	360.00	710.00	1,070.00
3	31, 32, 33	38-286 (Infrastructure Ontario)	140.00	270.00	410.00
3	Pt. 31	38-265 (H. Wang)	990.00	1,980.00	2,970.00
3	Pt. 32	38-264 (FAY Farms Trucking & Excavation Inc.)	790.00	1,580.00	2,370.00
3	Pt. 32	38-264-05 (K. Kendell)	250.00	490.00	740.00
3	Pt. 32	38-264-06 (S. Kendell)	250.00	500.00	750.00
3	Pt. 33	38-243 (T. Rodrigue)	660.00	1,330.00	1,990.00
3	Pt. 33	38-243-06 (J. Adair)	90.00	180.00	270.00
3	Pt. 33	38-245 (G. Adair)	300.00	600.00	900.00
3	Pt. 33	38-244 (M. Lamontagne)	80.00	160.00	240.00
Total Allowances			\$ 6,150.00	\$ 12,270.00	\$ 18,420.00
TOTAL ALLOWANCES IN THE CITY OF PORT COLBORNE			\$ 18,420.00		
<i>Township of Wainfleet</i>					
3	1-6 & 7	7-002 (Niagara Peninsula Conservation Authority)	\$ 3,150.00	\$ 6,300.00	\$ 9,450.00
2	3 & 4	1-261 (Lowland Farms Ltd.)	920.00	1,850.00	2,770.00
2	4 & 5	1-264 (Waterford Sand & Gravel Ltd.)	1,120.00	2,230.00	3,350.00
2	Pt. 6	2-255 (Paul Cameron Holdings Inc.)	550.00	1,100.00	1,650.00
2	Pt. 6	2-255-02 (Erie Tracker Outfitters Ltd.)	580.00	1,150.00	1,730.00
Total Allowances			\$ 6,320.00	\$ 12,630.00	\$ 18,950.00
TOTAL ALLOWANCES IN THE TOWNSHIP OF WAINFLEET			\$ 18,950.00		
TOTAL ALLOWANCES IN THE MAIN DRAIN			\$ 37,370.00		

SCHEDULE 'A' - AILOWANCES (cont'd)

BIEDERMAN DRAIN
City of Port Colborne

CONCESSION	LOT	ROLL NUMBER (Owner)	Section 29 Right-of-Way	Section 30 Damages	TOTALS
SUGAR BRANCH					
<i>City of Port Colborne</i>					
3	Pt. 28	37-092 (City of Port Colborne)	\$ 1,150.00	\$ 2,300.00	\$ 3,450.00
Total Allowances			\$ 1,150.00	\$ 2,300.00	\$ 3,450.00
TOTAL ALLOWANCES ON SUGAR BRANCH					\$ 3,450.00
 BRANCH "A"					
<i>City of Port Colborne</i>					
3	Pt. 33	38-243-06 (J. Adair)	\$ 560.00	\$	\$ 560.00
Total Allowances			\$ 560.00	\$	\$ 560.00
TOTAL ALLOWANCES ON BRANCH "A"					\$ 560.00
 BRANCH "B"					
<i>Township of Wainfleet</i>					
3	Pt. 1	7-001 (FAY Farms Trucking & Excavation Inc.)	\$ 180.00	\$ 350.00	\$ 530.00
Total Allowances			\$ 180.00	\$ 350.00	\$ 530.00
TOTAL ALLOWANCES ON BRANCH "B"					\$ 530.00
TOTAL ALLOWANCES ON THE BIEDERMAN DRAIN					\$ 41,910.00

BIEDERMAN DRAIN**City of Port Colborne**

We have made an estimate of the cost of the proposed work which is outlined in detail as follows:

MAIN DRAIN

Sta. 0+000 - Sta 6+960		
Mechanical brushing & clearing of trees on one side for excavation work (Approx. 6960m)	\$	59,900.00
6960 meters of open ditch cleanout including sediment basins/refuge pools	\$	35,300.00
Levelling of excavated material beside ditch (where specified)	\$	20,900.00
Seeding of ditch banks and buffer strips (Approx 14000m ²)	\$	4,900.00
Sta. 0+803 - Sta 0+815		
Clean through the Elm Street Culvert to grade including removal and disposal of excavated material and traffic control.	\$	6,400.00
Sta. 0+900 - Sta 0+914		
Clean through the Harbour line Railway Triple C.S.P. Culverts to grade including removal and disposal of excavated material and traffic control.	\$	7,900.00
Sta. 2+262 - Sta 2+278		
Clean through Stonebridge Drive Culvert to grade including removal and disposal of excavated material and traffic control.	\$	5,900.00
Sta. 2+444 - Sta 2+469		
Clean through the West Side Road Culvert to grade including removal and disposal of excavated material and traffic control.	\$	15,900.00
Construct the following helical corrugated aluminized steel pipe as new road / farm culvert including removal of existing C.S.P.'s and disposal of excess material where required		
Sta. 4+040 - Sta 4+054 (Townline Road)		
Supply & delivery of 14m - 1600mm dia, 2.8mm thick, 125mm x 25mm cor.	\$	12,500.00
Installation of pipe including supply and installation of bedding and backfill material and disposal of any unacceptable material including.	\$	8,900.00
Supply and installation of beavercone on upstream end of culvert	\$	3,900.00
Supply and installation of quarry stone riprap (Approx. 12m ³ Q.S. required)	\$	2,100.00
Sta. 5+378 - Sta 5+392 (N.P.C.A.)		
Supply & delivery of 14m - 1500mm dia, 2.8mm thick, 125mm x 25mm cor.	\$	11,200.00
Installation of pipe including supply and installation of bedding and backfill material and disposal of any unacceptable material	\$	10,500.00
Supply and installation of beavercone on upstream end of culvert	\$	3,500.00
Supply and installation of quarry stone riprap (Approx. 12m ³ Q.S. required)	\$	2,100.00

BIEDERMAN DRAIN
City of Port Colborne

MAIN DRAIN (cont'd)

Sta. 5+593 - Sta 5+607 (Lowland Farms Ltd.)	
Supply & delivery of 14m -1500mm dia, 2.8mm thick, 125mm x 25mm cor.	\$ 11,200.00
Installation of pipe including supply and installation of bedding and backfill material and disposal of any unacceptable material	\$ 8,900.00
Supply and installation of quarry stone riprap (Approx. 12m ³ Q.S. required)	\$ 2,100.00
Sta. 6+444 - Sta 6+458 (Biederman Road)	
Supply & delivery of 14m - 1500mm dia, 2.8mm thick, 125mm x 25mm cor.	\$ 11,200.00
Installation of pipe including supply and installation of bedding and backfill material and disposal of any unacceptable material including traffic control	\$ 10,500.00
Supply and installation of quarry stone riprap (Approx. 12m ³ Q.S. required)	\$ 1,800.00
Exposing and locating existing utilities as required	\$ 3,500.00
Sta. 4+513 - Sta. 5+500 (N.P.C.A.)	
Backfill existing side channel from North using excavated material and Install 8m-375mm H.D.P.E as overflow culvert (3 Locations)	\$ 12,000.00
Contingency	\$ 19,700.00
Maintenance Cost which have been occurred during 2018-2022 consisting of brushing, beaver dam removals and spot cleanouts	
City of Port Colborne	\$ 42,000.00
Township of Wainfleet	\$ 18,000.00
Allowances under Sections 29 and 30 of the Drainage Act	\$ 37,370.00

SUGAR BRANCH

Sta. 0+000 - Sta 0+523	
Mechanical brushing & clearing of trees on one side for excavation work	\$ 10,200.00
Open ditch cleanout	\$ 3,800.00
Levelling of excavated material beside ditch (where specified)	\$ 1,900.00
Seeding of ditch banks and buffer strips (Approx 1300m ²)	\$ 900.00
Construct the following helical corrugated aluminized steel pipe as new road / farm culvert including removal of existing C.S.P.'s and disposal of excess material where required	
Sta. 0+020 - Sta 0+028	
Supply & delivery of 8m - 900mm dia, 2.0mm thick, 68mm x 13mm cor.	\$ 2,900.00
Installation of pipe including supply and installation of bedding and backfill material and disposal of any unacceptable material including.	\$ 3,200.00
Supply and installation of quarry stone riprap (Approx. 10 m ³ Q.S. required)	\$ 1,400.00

BIEDERMAN DRAIN
City of Port Colborne

SUGAR DRAIN (CONT'D)

Contingency	\$ 1,500.00
Allowances under Sections 29 and 30 of the Drainage Act	\$ 3,450.00

BRANCH "A"

Allowances under Sections 29 and 30 of the Drainage Act	\$ 560.00
---	-----------

BRANCH "B"

Sta. 0+000 - Sta 0+098	
Mechanical brushing & clearing of trees on one side for excavation work	\$ 2,000.00
Open ditch cleanout	\$ 700.00
Levelling of excavated material beside ditch (where specified)	\$ 700.00
Seeding of ditch banks and buffer strips (Approx 300m ²)	\$ 200.00
Contingency	\$ 700.00
Allowances under Sections 29 and 30 of the Drainage Act	\$ 530.00

ADMINISTRATION

Interest and Net Harmonized Sales Tax	\$ 11,660.00
Survey, Plan and Final Report	\$ 65,380.00
Expenses	\$ 3,860.00
Supervision and Final Inspection	\$ <u>12,390.00</u>
TOTAL ESTIMATED COST	\$ <u><u>518,000.00</u></u>

SCHEDULE 'C' - ASSESSMENT FOR CONSTRUCTION

BIEDERMAN DRAIN

City of Port Colborne

Job No. 219271

January 12, 2023

CON.	HECTARES LOT AFFECTED	ROLL No. (OWNER)	BENEFIT	OUTLET	TOTAL
MAIN DRAIN					
City of Port Colborne					
<i>(Geographic Humberstone)</i>					
2	Pt. 31 0.04	38-232-10 (J. Kish)	\$	\$ 7.00	\$ 7.00
2	Pt. 31 0.04	38-232 (A. Kish)		7.00	7.00
2	Pt. 31 0.04	38-231 (W. Crowther)		7.00	7.00
2	Pt. 31 0.04	38-230 (R. Corey)		7.00	7.00
2	Pt. 31 0.08	38-229 (T. Terfry)		13.00	13.00
2	Pt. 31 0.04	38-228-05 (M. Steven)		7.00	7.00
2	Pt. 31 0.04	38-228-03 (T. Huffman)		7.00	7.00
2	Pt. 31 0.04	38-228-02 (P. Chiomey)		7.00	7.00
2	Pt. 31 0.08	38-228 (T. Lasovich)		13.00	13.00
2	Pt. 31 0.04	38-227 (C. Labrie)		7.00	7.00
2	Pt. 31 0.12	38-226 (J. Penner)		21.00	21.00
2	Pt. 31 0.04	38-225-02 (C. Gunn)		7.00	7.00
2	Pt. 31 0.04	38-225 (C. Campbell)		7.00	7.00
2	Pt. 31 0.01	38-224-18 (City of Port Colborne)		1.00	1.00
2	Pt. 31 0.04	38-224-16 (D. Zappone)		7.00	7.00
2	Pt. 31 0.04	38-224-14 (E. Todd)		7.00	7.00
2	Pt. 31 0.04	38-254-05 (S. Barrick)		7.00	7.00
2	Pt. 31 0.04	38-254-10 (M. Muscat)		7.00	7.00
2	Pt. 31 0.12	38-262 (R. Marr)		21.00	21.00
2	Pt. 32 0.25	38-268 (S. Holjak)		43.00	43.00
2	Pt. 32 0.04	38-267-15 (D. Kish)		7.00	7.00
2	Pt. 32 0.10	38-235 (A. Gelsumini)		17.00	17.00
2	Pt. 32 0.06	38-234 (M. Todd)		11.00	11.00
2	Pt. 32 0.06	38-233 (T. Stead)		11.00	11.00
2	Pt. 32 0.15	38-232-02 (L. Pambianco)		25.00	25.00
2	Pt. 33 1.63	38-271-10 (M. Yallin)		205.00	205.00
2	Pt. 33 18.20	38-271 (S. Kilty)		1,492.00	1,492.00
3	Pt. 28 63.50	37-091 (Jungbunzlauer Canada Inc.)		127.00	127.00
3	Pt. 28 36.70	37-092 (City of Port Colborne)		25.00	25.00
3	Pt. 28 12.80	37-091-03 (Jungbunzlauer Canada Inc)		25.00	25.00
3	Pt. 28 1.58	37-091-04 (Canerector Properties Inc)		3.00	3.00
3	Pt. 28 1.81	37-091-06 (1814164 Ontario Inc.)		4.00	4.00
3	Pt. 28 1.58	37-091-08 (1150617 Ontario Inc.)		3.00	3.00
3	Pt. 28 1.27	37-091-10 (Trimac Transportation Services Inc.)		3.00	3.00
3	Pt. 29 0.05	37-218 (1399908 Ontario Ltd.)		7.00	7.00
3	Pt. 29 0.04	37-218-02 (1399908 Ontario Ltd.)		5.00	5.00
3	Pt. 29 0.05	37-219 (1399908 Ontario Ltd.)		7.00	7.00
3	Pt. 29 0.05	37-219-02 (1399908 Ontario Ltd.)		7.00	7.00
3	Pt. 29 0.05	37-220 (1399908 Ontario Ltd.)		7.00	7.00
3	Pt. 29 0.05	37-220-02 (1399908 Ontario Ltd.)		7.00	7.00

SCHEDULE 'C' - ASSESSMENT FOR CONSTRUCTION (cont'd)

BIEDERMAN DRAIN
City of Port Colborne

CON.	HECTARES LOT AFFECTED	ROLL No. (OWNER)	BENEFIT	OUTLET	TOTAL
MAIN DRAIN (cont'd)					
City of Port Colborne					
<i>(Geographic Humberstone)</i>					
3	Pt. 29 0.05	37-221 (1399908 Ontario Ltd.)	\$	\$ 7.00	\$ 7.00
3	Pt. 29 0.05	37-221-02 (1399908 Ontario Ltd.)		7.00	7.00
3	Pt. 29 0.05	37-222 (1399908 Ontario Ltd.)		7.00	7.00
3	Pt. 29 0.05	37-222-02 (1399908 Ontario Ltd.)		7.00	7.00
3	Pt. 29 0.05	37-223 (1399908 Ontario Ltd.)		7.00	7.00
3	Pt. 29 0.05	37-223-02 (1399908 Ontario Ltd.)		7.00	7.00
3	Pt. 29 0.05	37-224 (1399908 Ontario Ltd.)		7.00	7.00
3	Pt. 29 0.05	37-224-02 (1399908 Ontario Ltd.)		7.00	7.00
3	Pt. 29 0.06	37-225 (1399908 Ontario Ltd.)		8.00	8.00
3	Pt. 29 0.06	37-225-02 (1399908 Ontario Ltd.)		8.00	8.00
3	Pt. 29 0.06	37-226 (1399908 Ontario Ltd.)		8.00	8.00
3	Pt. 29 0.07	37-226-02 (1399908 Ontario Ltd.)		9.00	9.00
3	Pt. 29 0.05	37-247 (1399908 Ontario Ltd.)		7.00	7.00
3	Pt. 29 0.04	37-248 (1399908 Ontario Ltd.)		5.00	5.00
3	Pt. 29 0.06	37-249 (1399908 Ontario Ltd.)		8.00	8.00
3	Pt. 29 0.06	37-250 (1399908 Ontario Ltd.)		8.00	8.00
3	Pt. 29 0.06	37-251 (1399908 Ontario Ltd.)		8.00	8.00
3	Pt. 29 0.06	37-252 (1399908 Ontario Ltd.)		8.00	8.00
3	Pt. 29 0.05	37-253 (1399908 Ontario Ltd.)		7.00	7.00
3	Pt. 29 0.05	37-254 (1399908 Ontario Ltd.)		7.00	7.00
3	Pt. 29 0.05	37-255 (1399908 Ontario Ltd.)		7.00	7.00
3	Pt. 29 0.05	37-256 (1399908 Ontario Ltd.)		7.00	7.00
3	Pt. 29 0.05	37-257 (1399908 Ontario Ltd.)		7.00	7.00
3	Pt. 29 0.05	37-258 (1399908 Ontario Ltd.)		7.00	7.00
3	Pt. 29 0.05	37-259 (1399908 Ontario Ltd.)		7.00	7.00
3	Pt. 29 0.06	37-260 (1399908 Ontario Ltd.)		8.00	8.00
3	Pt. 29 0.06	37-261 (1399908 Ontario Ltd.)		8.00	8.00
3	Pt. 29 0.05	37-262 (1399908 Ontario Ltd.)		7.00	7.00
3	Pt. 29 0.05	37-323 (Pine Glen Colborne Inc.)		7.00	7.00
3	Pt. 29 0.06	37-322 (Pine Glen Colborne Inc.)		8.00	8.00
3	Pt. 29 0.08	37-321 (Pine Glen Colborne Inc.)		11.00	11.00
3	Pt. 29 0.12	37-320 (Pine Glen Colborne Inc.)		15.00	15.00
3	Pt. 29 0.09	37-319 (Pine Glen Colborne Inc.)		12.00	12.00
3	Pt. 29 0.06	37-318 (Pine Glen Colborne Inc.)		8.00	8.00
3	Pt. 29 0.05	37-317 (Pine Glen Colborne Inc.)		7.00	7.00
3	Pt. 29 0.05	37-316 (Pine Glen Colborne Inc.)		7.00	7.00
3	Pt. 29 0.05	37-315 (Pine Glen Colborne Inc.)		7.00	7.00
3	Pt. 29 0.05	37-314 (Pine Glen Colborne Inc.)		7.00	7.00
3	Pt. 29 0.05	37-313 (Pine Glen Colborne Inc.)		7.00	7.00
3	Pt. 29 0.05	37-312 (Pine Glen Colborne Inc.)		7.00	7.00
3	Pt. 29 0.05	37-311 (Pine Glen Colborne Inc.)		7.00	7.00
3	Pt. 29 0.05	37-310 (Pine Glen Colborne Inc.)		7.00	7.00
3	Pt. 29 0.07	37-309 (Pine Glen Colborne Inc.)		9.00	9.00

SCHEDULE 'C' - ASSESSMENT FOR CONSTRUCTION (cont'd)

BIEDERMAN DRAIN
City of Port Colborne

CON.	HECTARES LOT AFFECTED	ROLL No. (OWNER)	BENEFIT	OUTLET	TOTAL
MAIN DRAIN (cont'd)					
City of Port Colborne					
<i>(Geographic Humberstone)</i>					
3	Pt. 29 0.07	37-308 (Pine Glen Colborne Inc.)	\$	\$ 9.00	\$ 9.00
3	Pt. 29 0.07	37-327 (Pine Glen Colborne Inc.)		9.00	9.00
3	Pt. 29 0.06	37-328 (Pine Glen Colborne Inc.)		8.00	8.00
3	Pt. 29 0.06	37-329 (Pine Glen Colborne Inc.)		8.00	8.00
3	Pt. 29 0.06	37-330 (Pine Glen Colborne Inc.)		8.00	8.00
3	Pt. 29 0.06	37-331 (Pine Glen Colborne Inc.)		8.00	8.00
3	Pt. 29 0.07	37-332 (Pine Glen Colborne Inc.)		9.00	9.00
3	Pt. 29 0.05	37-333 (Pine Glen Colborne Inc.)		7.00	7.00
3	Pt. 29 0.06	37-162 (C. Hawkhisstone)		8.00	8.00
3	Pt. 29 0.06	37-162-02 (M. Mastracci)		8.00	8.00
3	Pt. 29 0.06	37-163 (B. Beck)		8.00	8.00
3	Pt. 29 0.06	37-164 (G. Trottier)		8.00	8.00
3	Pt. 29 0.06	37-165 (A. Esposito)		8.00	8.00
3	Pt. 29 0.06	37-166 (S. Sokulski)		8.00	8.00
3	Pt. 29 0.06	37-167 (K. Koiter)		8.00	8.00
3	Pt. 29 0.07	37-168 (G. Govey)		9.00	9.00
3	Pt. 29 0.08	37-170 (R. Passmore)		11.00	11.00
3	Pt. 29 0.08	37-171 (B. Lobbezoo)		11.00	11.00
3	Pt. 29 0.06	37-172 (G. Garner)		8.00	8.00
3	Pt. 29 0.07	37-173 (D. Lepoidvin)		9.00	9.00
3	Pt. 29 0.06	37-183 (T. Dirstein)		8.00	8.00
3	Pt. 29 0.06	37-184 (D. Legault)		8.00	8.00
3	Pt. 29 0.06	37-185 (A. Giorgi)		8.00	8.00
3	Pt. 29 0.06	37-186 (L. Santos)		8.00	8.00
3	Pt. 29 0.06	37-187 (S. Templain)		8.00	8.00
3	Pt. 29 0.06	37-188 (T. Jones)		8.00	8.00
3	Pt. 29 0.05	37-189 (S. Bozzato)		7.00	7.00
3	Pt. 29 0.08	37-302-20 (V. Berezhyuk)		11.00	11.00
3	Pt. 29 0.05	37-302-18 (Y. Cloutier)		7.00	7.00
3	Pt. 29 0.06	37-302-16 (V. Ransky)		8.00	8.00
3	Pt. 29 0.06	37-302-14 (C. Demosthenes)		8.00	8.00
3	Pt. 29 0.06	37-302-12 (D. Harms)		8.00	8.00
3	Pt. 29 0.06	37-302-10 (K. Neil)		8.00	8.00
3	Pt. 29 0.06	37-302-08 (A. Domanico)		8.00	8.00
3	Pt. 29 0.06	37-302-06 (L. Gregovski)		8.00	8.00
3	Pt. 29 0.06	37-302-04 (J. Chamberlain)		8.00	8.00
3	Pt. 29 0.05	37-302-02 (J. Geborski)		7.00	7.00
3	Pt. 29 0.05	37-302 (T. Lamb)		7.00	7.00
3	Pt. 29 0.08	37-282 (T. Charles)		11.00	11.00
3	Pt. 29 0.07	37-283 (M. Gallinger)		9.00	9.00
3	Pt. 29 0.07	37-284 (E. Mendoza)		9.00	9.00
3	Pt. 29 0.07	37-285 (J. Krueger)		9.00	9.00
3	Pt. 29 0.07	37-286 (J. Rutherford)		9.00	9.00

SCHEDULE 'C' - ASSESSMENT FOR CONSTRUCTION (cont'd)

BIEDERMAN DRAIN
City of Port Colborne

CON.	HECTARES LOT AFFECTED	ROLL No. (OWNER)	BENEFIT	OUTLET	TOTAL
MAIN DRAIN (cont'd)					
City of Port Colborne					
<i>(Geographic Humberstone)</i>					
3	Pt. 29 0.07	37-287 (A. Smith)	\$	\$ 9.00	\$ 9.00
3	Pt. 29 0.07	37-288 (A. Robichaud)		9.00	9.00
3	Pt. 29 0.08	37-289 (J. Phillips)		11.00	11.00
3	Pt. 29 0.08	37-290 (M. Cockhill)		11.00	11.00
3	Pt. 29 0.10	37-291 (C. White)		12.00	12.00
3	Pt. 29 0.07	37-292 (R. Martin)		9.00	9.00
3	Pt. 29 0.06	37-292-02 (Q. Yu)		8.00	8.00
3	Pt. 29 0.06	37-293 (R. Lee)		8.00	8.00
3	Pt. 29 0.06	37-293-02 (J. Felker)		8.00	8.00
3	Pt. 29 0.06	37-294 (F. Walker)		8.00	8.00
3	Pt. 29 0.08	37-294-02 (P. Laughland)		11.00	11.00
3	Pt. 29 0.06	37-413 (J. Sliter)		8.00	8.00
3	Pt. 29 0.06	37-414 (M. Gehl)		8.00	8.00
3	Pt. 29 0.06	37-415 (M. Pollard)		8.00	8.00
3	Pt. 29 0.06	37-416 (L. Lariccia)		8.00	8.00
3	Pt. 29 0.07	37-417 (D. O'Hara)		9.00	9.00
3	Pt. 29 0.06	37-418 (L. Kramer)		8.00	8.00
3	Pt. 29 0.08	37-419 (M. Aminillah)		11.00	11.00
3	Pt. 29 0.07	37-305 (Pine Glen Colborne Inc.)		9.00	9.00
3	Pt. 29 0.11	37-306 (Pine Glen Colborne Inc.)		13.00	13.00
3	Pt. 29 0.10	37-307 (Pine Glen Colborne Inc.)		12.00	12.00
3	Pt. 29 0.05	37-263 (1399908 Ontario Ltd.)		7.00	7.00
3	Pt. 29 0.05	37-264 (1399908 Ontario Ltd.)		7.00	7.00
3	Pt. 29 0.05	37-265 (1399908 Ontario Ltd.)		7.00	7.00
3	Pt. 29 0.07	37-404 (1399908 Ontario Ltd.)		9.00	9.00
3	Pt. 29 0.06	37-405 (1399908 Ontario Ltd.)		8.00	8.00
3	Pt. 29 0.06	37-406 (1399908 Ontario Ltd.)		8.00	8.00
3	Pt. 29 0.06	37-407 (1399908 Ontario Ltd.)		8.00	8.00
3	Pt. 29 0.06	37-408 (1399908 Ontario Ltd.)		8.00	8.00
3	Pt. 29 0.06	37-409 (1399908 Ontario Ltd.)		8.00	8.00
3	Pt. 29 0.08	37-447-02 (J. Hoggar)		11.00	11.00
3	Pt. 29 0.07	37-447 (R. Sardella)		9.00	9.00
3	Pt. 29 0.06	37-446-02 (H. Brennan)		8.00	8.00
3	Pt. 29 0.06	37-227 (1399908 Ontario Ltd.)		8.00	8.00
3	Pt. 29 0.06	37-228 (1399908 Ontario Ltd.)		8.00	8.00
3	Pt. 29 0.06	37-229 (1399908 Ontario Ltd.)		8.00	8.00
3	Pt. 29 0.06	37-230 (1399908 Ontario Ltd.)		8.00	8.00
3	Pt. 29 0.05	37-389 (1399908 Ontario Ltd.)		7.00	7.00
3	Pt. 29 0.05	37-388 (1399908 Ontario Ltd.)		7.00	7.00
3	Pt. 29 0.06	37-387 (1399908 Ontario Ltd.)		8.00	8.00
3	Pt. 29 0.06	37-386 (1399908 Ontario Ltd.)		8.00	8.00
3	Pt. 29 0.06	37-397 (1399908 Ontario Ltd.)		8.00	8.00
3	Pt. 29 0.06	37-398 (1399908 Ontario Ltd.)		8.00	8.00

SCHEDULE 'C' - ASSESSMENT FOR CONSTRUCTION (cont'd)

BIEDERMAN DRAIN
City of Port Colborne

CON.	HECTARES LOT AFFECTED	ROLL No. (OWNER)	BENEFIT	OUTLET	TOTAL
MAIN DRAIN (cont'd)					
City of Port Colborne					
<i>(Geographic Humberstone)</i>					
3	Pt. 29 0.06	37-399 (1399908 Ontario Ltd.)	\$	\$ 8.00	\$ 8.00
3	Pt. 29 0.06	37-400 (1399908 Ontario Ltd.)		8.00	8.00
3	Pt. 29 0.05	37-401 (1399908 Ontario Ltd.)		7.00	7.00
3	Pt. 29 0.05	37-402 (1399908 Ontario Ltd.)		7.00	7.00
3	Pt. 29 0.05	37-366 (1399908 Ontario Ltd.)		7.00	7.00
3	Pt. 29 0.06	37-367 (1399908 Ontario Ltd.)		8.00	8.00
3	Pt. 29 0.08	37-529 (1399908 Ontario Ltd.)		11.00	11.00
3	Pt. 29 0.08	37-530 (1399908 Ontario Ltd.)		11.00	11.00
3	Pt. 29 0.08	37-531 (1399908 Ontario Ltd.)		11.00	11.00
3	Pt. 29 0.08	37-532 (1399908 Ontario Ltd.)		11.00	11.00
3	Pt. 29 0.08	37-533 (1399908 Ontario Ltd.)		11.00	11.00
3	Pt. 29 0.08	37-534 (1399908 Ontario Ltd.)		11.00	11.00
3	Pt. 29 0.08	37-535 (1399908 Ontario Ltd.)		11.00	11.00
3	Pt. 29 0.08	37-536 (1399908 Ontario Ltd.)		11.00	11.00
3	Pt. 29 0.11	37-537 (1399908 Ontario Ltd.)		13.00	13.00
3	Pt. 29 0.05	37-446 (1399908 Ontario Ltd.)		7.00	7.00
3	Pt. 29 0.05	37-445 (1399908 Ontario Ltd.)		7.00	7.00
3	Pt. 29 0.05	37-444 (1399908 Ontario Ltd.)		7.00	7.00
3	Pt. 29 0.05	37-443 (1399908 Ontario Ltd.)		7.00	7.00
3	Pt. 29 0.05	37-442 (1399908 Ontario Ltd.)		7.00	7.00
3	Pt. 29 0.05	37-441 (1399908 Ontario Ltd.)		7.00	7.00
3	Pt. 29 0.05	37-440 (1399908 Ontario Ltd.)		7.00	7.00
3	Pt. 29 0.05	37-439 (1399908 Ontario Ltd.)		7.00	7.00
3	Pt. 29 0.05	37-438 (1399908 Ontario Ltd.)		7.00	7.00
3	Pt. 29 0.05	37-437 (1399908 Ontario Ltd.)		7.00	7.00
3	Pt. 29 0.05	37-436 (1399908 Ontario Ltd.)		7.00	7.00
3	Pt. 29 0.05	37-435 (1399908 Ontario Ltd.)		7.00	7.00
3	Pt. 29 0.05	37-434 (1399908 Ontario Ltd.)		7.00	7.00
3	Pt. 29 0.05	37-433 (1399908 Ontario Ltd.)		7.00	7.00
3	Pt. 29 0.06	37-432 (1399908 Ontario Ltd.)		8.00	8.00
3	Pt. 29 0.05	37-463 (1399908 Ontario Ltd.)		7.00	7.00
3	Pt. 29 0.05	37-464 (1399908 Ontario Ltd.)		7.00	7.00
3	Pt. 29 0.05	37-465 (1399908 Ontario Ltd.)		7.00	7.00
3	Pt. 29 0.05	37-466 (1399908 Ontario Ltd.)		7.00	7.00
3	Pt. 29 0.05	37-467 (1399908 Ontario Ltd.)		7.00	7.00
3	Pt. 29 0.05	37-468 (1399908 Ontario Ltd.)		7.00	7.00
3	Pt. 29 0.05	37-469 (1399908 Ontario Ltd.)		7.00	7.00
3	Pt. 29 0.05	37-470 (1399908 Ontario Ltd.)		7.00	7.00
3	Pt. 29 0.05	37-471 (1399908 Ontario Ltd.)		7.00	7.00
3	Pt. 29 0.05	37-472 (1399908 Ontario Ltd.)		7.00	7.00
3	Pt. 29 0.05	37-473 (1399908 Ontario Ltd.)		7.00	7.00
3	Pt. 29 0.05	37-474 (1399908 Ontario Ltd.)		7.00	7.00
3	Pt. 29 0.07	37-475 (1399908 Ontario Ltd.)		9.00	9.00

SCHEDULE 'C' - ASSESSMENT FOR CONSTRUCTION (cont'd)

BIEDERMAN DRAIN
City of Port Colborne

CON.	HECTARES		ROLL No. (OWNER)		BENEFIT	OUTLET	TOTAL
MAIN DRAIN (cont'd)							
City of Port Colborne							
<i>(Geographic Humberstone)</i>							
3	Pt.	29	0.08	37-476 (2732373 Ontario Inc.)	\$	\$ 11.00	\$ 11.00
3	Pt.	29	0.05	37-515 (1399908 Ontario Ltd.)		7.00	7.00
3	Pt.	29	0.05	37-516 (1399908 Ontario Ltd.)		7.00	7.00
3	Pt.	29	0.05	37-517 (1435587 Ontario Inc.)		7.00	7.00
3	Pt.	29	0.06	37-502 (1399908 Ontario Ltd.)		8.00	8.00
3	Pt.	29	0.06	37-501 (1399908 Ontario Ltd.)		8.00	8.00
3	Pt.	29	0.04	37-500 (1399908 Ontario Ltd.)		5.00	5.00
3	Pt.	29	0.04	37-499 (1399908 Ontario Ltd.)		5.00	5.00
3	Pt.	29	0.04	37-498 (1399908 Ontario Ltd.)		5.00	5.00
3	Pt.	29	0.05	37-497 (1399908 Ontario Ltd.)		7.00	7.00
3	Pt.	29	0.04	37-496 (1399908 Ontario Ltd.)		5.00	5.00
3	Pt.	29	0.04	37-495 (1399908 Ontario Ltd.)		5.00	5.00
3	Pt.	29	0.04	37-494 (1399908 Ontario Ltd.)		5.00	5.00
3	Pt.	29	0.04	37-493 (1399908 Ontario Ltd.)		5.00	5.00
3	Pt.	29	0.04	37-492 (1399908 Ontario Ltd.)		5.00	5.00
3	Pt.	29	0.04	37-491 (1399908 Ontario Ltd.)		5.00	5.00
3	Pt.	29	0.08	37-503 (1399908 Ontario Ltd.)		11.00	11.00
3	Pt.	29	0.06	37-504 (1399908 Ontario Ltd.)		8.00	8.00
3	Pt.	29	0.06	37-505 (1399908 Ontario Ltd.)		8.00	8.00
3	Pt.	29	0.06	37-506 (1399908 Ontario Ltd.)		8.00	8.00
3	Pt.	29	0.06	37-507 (1399908 Ontario Ltd.)		8.00	8.00
3	Pt.	29	0.06	37-508 (1399908 Ontario Ltd.)		8.00	8.00
3	Pt.	29	0.06	37-509 (1399908 Ontario Ltd.)		8.00	8.00
3	Pt.	29	0.06	37-510 (1399908 Ontario Ltd.)		8.00	8.00
3	Pt.	29	0.06	37-511 (1399908 Ontario Ltd.)		8.00	8.00
3	Pt.	29	0.06	37-512 (1399908 Ontario Ltd.)		8.00	8.00
3	Pt.	29	0.06	37-513 (1399908 Ontario Ltd.)		8.00	8.00
3	Pt.	29	0.06	37-431 (1399908 Ontario Ltd.)		8.00	8.00
3	Pt.	29	0.05	37-430 (1399908 Ontario Ltd.)		7.00	7.00
3	Pt.	29	0.06	37-429 (1399908 Ontario Ltd.)		8.00	8.00
3	Pt.	29	0.05	37-428 (1399908 Ontario Ltd.)		7.00	7.00
3	Pt.	29	0.05	37-427 (1399908 Ontario Ltd.)		7.00	7.00
3	Pt.	29	0.04	37-456 (1399908 Ontario Ltd.)		5.00	5.00
3	Pt.	29	0.04	37-457 (1399908 Ontario Ltd.)		5.00	5.00
3	Pt.	29	0.04	37-458 (1399908 Ontario Ltd.)		5.00	5.00
3	Pt.	29	0.06	37-459 (1399908 Ontario Ltd.)		8.00	8.00
3	Pt.	29	0.05	37-460 (1399908 Ontario Ltd.)		7.00	7.00
3	Pt.	29	0.05	37-461 (1399908 Ontario Ltd.)		7.00	7.00
3	Pt.	29	0.05	37-462 (1399908 Ontario Ltd.)		7.00	7.00
3	Pt.	29	1.61	37-528 (1399908 Ontario Ltd.)		205.00	205.00
3	Pt.	29	0.06	37-527 (1399908 Ontario Ltd.)		8.00	8.00
3	Pt.	29	0.06	37-526 (1399908 Ontario Ltd.)		8.00	8.00
3	Pt.	29	0.07	37-525 (1399908 Ontario Ltd.)		9.00	9.00

SCHEDULE 'C' - ASSESSMENT FOR CONSTRUCTION (cont'd)

BIEDERMAN DRAIN
City of Port Colborne

CON.	HECTARES LOT AFFECTED	ROLL No. (OWNER)	BENEFIT	OUTLET	TOTAL
MAIN DRAIN (cont'd)					
City of Port Colborne					
<i>(Geographic Humberstone)</i>					
3	Pt. 29 0.09	37-524 (1399908 Ontario Ltd.)	\$	\$ 12.00	\$ 12.00
3	Pt. 29 0.06	37-523 (1399908 Ontario Ltd.)		8.00	8.00
3	Pt. 29 0.07	37-522 (1399908 Ontario Ltd.)		9.00	9.00
3	Pt. 29 0.06	37-489 (1399908 Ontario Ltd.)		8.00	8.00
3	Pt. 29 0.06	37-488 (1399908 Ontario Ltd.)		8.00	8.00
3	Pt. 29 0.07	37-487 (1399908 Ontario Ltd.)		9.00	9.00
3	Pt. 29 0.05	37-486 (1399908 Ontario Ltd.)		7.00	7.00
3	Pt. 29 0.05	37-485 (1399908 Ontario Ltd.)		7.00	7.00
3	Pt. 29 0.04	37-484 (1399908 Ontario Ltd.)		5.00	5.00
3	Pt. 29 0.04	37-483 (1399908 Ontario Ltd.)		5.00	5.00
3	Pt. 29 0.05	37-482 (1399908 Ontario Ltd.)		7.00	7.00
3	Pt. 29 1.80	37-600 (City of Port Colborne)		217.00	217.00
3	Pt. 29 0.12	37-094-05 (1399908 Ontario Ltd.)		15.00	15.00
3	Pt. 29 0.05	37-095 (V. Sherk)		7.00	7.00
3	Pt. 29 0.01	37-096 (1399908 Ontario Ltd.)		1.00	1.00
3	Pt. 29 0.25	37-097 (C. Olah)		32.00	32.00
3	Pt. 29 0.33	37-098 (Jungbunzlauer Canada Inc.)		41.00	41.00
3	Pt. 29 0.09	37-100 (T. Lee)		12.00	12.00
3	Pt. 29 1.82	37-140-50 (City of Port Colborne)		232.00	232.00
3	Pt. 29 0.42	37-119 (1650733 Ontario Inc.)		51.00	51.00
3	Pt. 29 0.60	37-111 (1405354 Ontario Ltd.)		76.00	76.00
3	Pt. 29 0.97	37-140-55 (R C Flagman Inc.)		123.00	123.00
3	Pt. 29 0.21	37-118 (788893 Ontario Ltd.)		27.00	27.00
3	Pt. 29 0.41	37-116 (ESN Electrical Solutions Niagara Inc.)		52.00	52.00
3	Pt. 29 0.41	37-114 (M. Henderson)		52.00	52.00
3	Pt. 29 0.66	37-113 (Stolk Construction Ltd.)		84.00	84.00
3	Pt. 29 2.32	37-101 (City of Port Colborne)		294.00	294.00
3	Pt. 29 0.40	37-112-20 (Medina Supply Inc.)		48.00	48.00
3	Pt. 29 0.42	37-101-05 (Minor Fisheries Ltd.)		54.00	54.00
3	Pt. 29 1.15	37-101-20 (R C Flagman Inc.)		146.00	146.00
3	Pt. 29 0.63	37-141 (5001829 Ontario Inc.)		80.00	80.00
3	Pt. 29 0.51	37-101-25 (M. Lee)		64.00	64.00
3	Pt. 29 2.30	37-101 (City of Port Colborne)		292.00	292.00
3	29 & 30 49.50	37-102 (Regional Municipality of Niagara)	10,250.00	3,160.00	13,410.00
3	Pt. 29 0.07	37-098-20 (Regional Municipality of Niagara)		9.00	9.00
3	Pt. 29 0.06	37-098-10 (Regional Municipality of Niagara)		7.00	7.00
3	Pt. 29 1.12	37-133 (L. Simpson)		142.00	142.00
3	Pt. 29 3.61	37-131 (1891039 Ontario Inc.)		459.00	459.00
3	Pt. 29 0.08	37-135 (City of Port Colborne)		11.00	11.00
3	Pt. 29 3.63	37-126 (WTC Realty Inc.)		462.00	462.00
3	Pt. 30 0.11	37-026 (R. Schooley)		13.00	13.00
3	Pt. 30 0.11	37-027 (T. Baker)		13.00	13.00

SCHEDULE 'C' - ASSESSMENT FOR CONSTRUCTION (cont'd)

BIEDERMAN DRAIN
City of Port Colborne

CON.	HECTARES LOT AFFECTED	ROLL No. (OWNER)	BENEFIT	OUTLET	TOTAL
MAIN DRAIN (cont'd)					
City of Port Colborne <i>(Geographic Humberstone)</i>					
3	Pt. 30	0.11 37-028 (S. Giannico)	\$	\$ 13.00	\$ 13.00
3	Pt. 30	0.11 37-029 (M. Paquette)		9.00	9.00
3	Pt. 30	0.11 37-030 (C. Russell)		13.00	13.00
3	Pt. 30	0.13 37-031 (J. McCabe-Cook)		16.00	16.00
3	Pt. 30	0.11 37-031-01 (T. Rogalsky)		13.00	13.00
3	Pt. 30	0.16 37-032 (J. Ranger)		20.00	20.00
3	Pt. 30	0.20 37-033 (A. Charlesworth)		25.00	25.00
3	Pt. 30	0.13 37-034 (R. Eden)		16.00	16.00
3	Pt. 30	0.12 37-035 (C. Lallouet)		15.00	15.00
3	Pt. 30	0.11 37-036 (K. Mocko)		13.00	13.00
3	Pt. 30	0.11 37-037 (M. Porter)		9.00	9.00
3	Pt. 30	0.11 37-038 (S. Butler)		13.00	13.00
3	Pt. 30	0.14 37-079 (R. Lagace)		17.00	17.00
3	Pt. 30	0.14 37-080 (D. Plata)		17.00	17.00
3	Pt. 30	0.15 37-081 (E. Fabisiak)		19.00	19.00
3	Pt. 30	0.11 37-039 (R. Adams)		13.00	13.00
3	Pt. 30	0.11 37-040 (M. Sardella)		13.00	13.00
3	Pt. 30	0.12 37-041 (J. Nicholls)		15.00	15.00
3	Pt. 30	0.11 37-042 (N. Zutt)		13.00	13.00
3	Pt. 30	0.10 37-043 (L. Skotniski)		8.00	8.00
3	Pt. 30	0.10 37-044 (A. Fairman)		12.00	12.00
3	Pt. 30	0.11 37-045 (L. Kembley)		13.00	13.00
3	Pt. 30	0.11 37-046 (G. Benner)		13.00	13.00
3	Pt. 30	0.11 37-048 (E. Maerzluft)		13.00	13.00
3	Pt. 30	0.11 37-049 (W. Clarke)		13.00	13.00
3	Pt. 30	0.12 37-050 (D. Kittel)		15.00	15.00
3	Pt. 30	0.13 37-051 (M. Meleg)		16.00	16.00
3	Pt. 30	0.10 37-052 (S. Foebel)		12.00	12.00
3	Pt. 30	0.11 37-047 (W. Maw)		9.00	9.00
3	Pt. 30	0.11 37-063 (R. Breiter)		13.00	13.00
3	Pt. 30	0.11 37-062 (W. Tykoliz)		13.00	13.00
3	Pt. 30	0.11 37-061 (G. Dayboll)		13.00	13.00
3	Pt. 30	0.13 37-060 (R. Smith)		16.00	16.00
3	Pt. 30	0.15 37-088 (M. Kolbinson)		19.00	19.00
3	Pt. 30	0.11 37-089 (K. Crompton)		13.00	13.00
3	Pt. 30	0.11 37-090 (G. Schneider)		13.00	13.00
3	Pt. 30	0.10 37-064 (S. Ross)		12.00	12.00
3	Pt. 30	0.11 37-065 (J. Clark)		13.00	13.00
3	Pt. 30	0.11 37-066 (K. Sherk)		9.00	9.00
3	Pt. 30	0.11 37-067 (M. Farnan)		13.00	13.00
3	Pt. 30	0.11 37-068 (R. Turonski)		13.00	13.00
3	Pt. 30	0.10 37-069 (D. Iwanicki)		12.00	12.00
3	Pt. 30	0.16 37-059 (J. Hill)		20.00	20.00

SCHEDULE 'C' - ASSESSMENT FOR CONSTRUCTION (cont'd)

BIEDERMAN DRAIN
City of Port Colborne

CON.	HECTARES LOT AFFECTED	ROLL No. (OWNER)	BENEFIT	OUTLET	TOTAL
MAIN DRAIN (cont'd)					
City of Port Colborne <i>(Geographic Humberstone)</i>					
3	Pt. 30	0.11 37-082 (M. Vankralingen)	\$	\$ 13.00	\$ 13.00
3	Pt. 30	0.11 37-083 (K. Lisicky)		13.00	13.00
3	Pt. 30	0.11 37-084 (S. Santon)		13.00	13.00
3	Pt. 30	0.13 37-085 (G. Disano)		16.00	16.00
3	Pt. 30	0.08 37-086 (R. Colangelo)		11.00	11.00
3	Pt. 30	0.06 37-086-01 (City of Port Colborne)		5.00	5.00
3	Pt. 30	0.08 37-087 (T. Gonyou)		11.00	11.00
3	Pt. 30	0.10 37-070 (C. Isbester)		12.00	12.00
3	Pt. 30	0.11 37-071 (R. Brownrigg)		13.00	13.00
3	Pt. 30	0.11 37-072 (L. Winfield)		13.00	13.00
3	Pt. 30	0.11 37-073 (A. Scolaro)		13.00	13.00
3	Pt. 30	0.11 37-074 (D. Jacques)		13.00	13.00
3	Pt. 30	0.11 37-075 (D. Weaving)		13.00	13.00
3	Pt. 30	0.11 37-076 (A. Spadzinski)		13.00	13.00
3	Pt. 30	0.11 37-077 (V. Della)		13.00	13.00
3	Pt. 30	0.05 37-365 (1399908 Ontario Ltd.)		4.00	4.00
3	Pt. 30	1.56 37-364 (1399908 Ontario Ltd.)		198.00	198.00
3	Pt. 30	0.08 37-363 (1399908 Ontario Ltd.)		11.00	11.00
3	Pt. 30	0.09 37-362 (1399908 Ontario Ltd.)		12.00	12.00
3	Pt. 30	0.06 37-361 (1399908 Ontario Ltd.)		8.00	8.00
3	Pt. 30	0.06 37-360 (1399908 Ontario Ltd.)		8.00	8.00
3	Pt. 30	0.06 37-359 (1399908 Ontario Ltd.)		8.00	8.00
3	Pt. 30	0.07 37-358 (1399908 Ontario Ltd.)		9.00	9.00
3	Pt. 30	0.05 37-337 (1399908 Ontario Ltd.)		7.00	7.00
3	Pt. 30	0.05 37-338 (1399908 Ontario Ltd.)		7.00	7.00
3	Pt. 30	0.04 37-339 (1399908 Ontario Ltd.)		5.00	5.00
3	Pt. 30	0.04 37-340 (1399908 Ontario Ltd.)		5.00	5.00
3	Pt. 30	0.04 37-341 (1399908 Ontario Ltd.)		5.00	5.00
3	Pt. 30	0.04 37-342 (1399908 Ontario Ltd.)		5.00	5.00
3	Pt. 30	0.04 37-343 (1399908 Ontario Ltd.)		5.00	5.00
3	Pt. 30	0.04 37-344 (1399908 Ontario Ltd.)		5.00	5.00
3	Pt. 30	0.04 37-345 (1399908 Ontario Ltd.)		5.00	5.00
3	Pt. 30	0.04 37-346 (1399908 Ontario Ltd.)		5.00	5.00
3	Pt. 30	0.04 37-347 (1399908 Ontario Ltd.)		5.00	5.00
3	Pt. 30	0.04 37-348 (1399908 Ontario Ltd.)		5.00	5.00
3	Pt. 30	0.04 37-349 (1399908 Ontario Ltd.)		5.00	5.00
3	Pt. 30	0.04 37-350 (1399908 Ontario Ltd.)		5.00	5.00
3	Pt. 30	0.06 37-351 (1399908 Ontario Ltd.)		8.00	8.00
3	Pt. 30	0.05 37-352 (1399908 Ontario Ltd.)		7.00	7.00
3	Pt. 30	0.05 37-353 (1399908 Ontario Ltd.)		7.00	7.00
3	Pt. 30	0.05 37-354 (1399908 Ontario Ltd.)		7.00	7.00
3	Pt. 30	0.04 37-355 (1399908 Ontario Ltd.)		5.00	5.00
3	Pt. 30	0.06 37-356 (1399908 Ontario Ltd.)		8.00	8.00

SCHEDULE 'C' - ASSESSMENT FOR CONSTRUCTION (cont'd)

BIEDERMAN DRAIN
City of Port Colborne

CON.	HECTARES LOT AFFECTED	ROLL No. (OWNER)	BENEFIT	OUTLET	TOTAL
MAIN DRAIN (cont'd)					
City of Port Colborne <i>(Geographic Humberstone)</i>					
3	Pt. 30 0.06	37-385 (1399908 Ontario Ltd.)	\$	\$ 8.00	\$ 8.00
3	Pt. 30 0.06	37-384 (1399908 Ontario Ltd.)		7.00	7.00
3	Pt. 30 0.06	37-383 (1399908 Ontario Ltd.)		8.00	8.00
3	Pt. 30 0.05	37-382 (1399908 Ontario Ltd.)		7.00	7.00
3	Pt. 30 0.06	37-381 (1399908 Ontario Ltd.)		8.00	8.00
3	Pt. 30 0.06	37-380 (1399908 Ontario Ltd.)		8.00	8.00
3	Pt. 30 0.06	37-396 (1399908 Ontario Ltd.)		8.00	8.00
3	Pt. 30 0.05	37-395 (1399908 Ontario Ltd.)		7.00	7.00
3	Pt. 30 0.05	37-394 (1399908 Ontario Ltd.)		7.00	7.00
3	Pt. 30 0.05	37-393 (1399908 Ontario Ltd.)		7.00	7.00
3	Pt. 30 0.05	37-392 (1399908 Ontario Ltd.)		7.00	7.00
3	Pt. 30 0.06	37-391 (1399908 Ontario Ltd.)		8.00	8.00
3	Pt. 30 0.06	37-421 (1399908 Ontario Ltd.)		8.00	8.00
3	Pt. 30 0.06	37-422 (1399908 Ontario Ltd.)		8.00	8.00
3	Pt. 30 0.06	37-423 (1399908 Ontario Ltd.)		8.00	8.00
3	Pt. 30 0.05	37-424 (1399908 Ontario Ltd.)		7.00	7.00
3	Pt. 30 0.05	37-425 (1399908 Ontario Ltd.)		7.00	7.00
3	Pt. 30 0.05	37-426 (1399908 Ontario Ltd.)		7.00	7.00
3	Pt. 30 0.05	37-449 (1399908 Ontario Ltd.)		7.00	7.00
3	Pt. 30 0.04	37-450 (1399908 Ontario Ltd.)		5.00	5.00
3	Pt. 30 0.04	37-451 (1399908 Ontario Ltd.)		5.00	5.00
3	Pt. 30 0.04	37-452 (1399908 Ontario Ltd.)		5.00	5.00
3	Pt. 30 0.04	37-453 (1399908 Ontario Ltd.)		5.00	5.00
3	Pt. 30 0.04	37-454 (1399908 Ontario Ltd.)		5.00	5.00
3	Pt. 30 0.04	37-455 (1399908 Ontario Ltd.)		5.00	5.00
3	Pt. 30 0.06	37-481 (1399908 Ontario Ltd.)		8.00	8.00
3	Pt. 30 0.05	37-480 (1399908 Ontario Ltd.)		7.00	7.00
3	Pt. 30 0.05	37-479 (1399908 Ontario Ltd.)		7.00	7.00
3	Pt. 30 0.04	37-478 (1399908 Ontario Ltd.)		5.00	5.00
3	Pt. 30 0.06	37-378 (1399908 Ontario Ltd.)		8.00	8.00
3	Pt. 30 0.04	37-377 (1399908 Ontario Ltd.)		5.00	5.00
3	Pt. 30 0.04	37-376 (1399908 Ontario Ltd.)		5.00	5.00
3	Pt. 30 0.04	37-375 (1399908 Ontario Ltd.)		5.00	5.00
3	Pt. 30 0.06	37-374 (1399908 Ontario Ltd.)		8.00	8.00
3	Pt. 30 0.07	37-372 (1399908 Ontario Ltd.)		9.00	9.00
3	Pt. 30 0.06	37-371 (1399908 Ontario Ltd.)		8.00	8.00
3	Pt. 30 0.06	37-370 (1399908 Ontario Ltd.)		8.00	8.00
3	Pt. 30 0.06	37-369 (1399908 Ontario Ltd.)		8.00	8.00
3	Pt. 30 0.06	37-556 (1399908 Ontario Ltd.)		7.00	7.00
3	Pt. 30 0.10	37-555 (1399908 Ontario Ltd.)		12.00	12.00
3	Pt. 30 0.07	37-554 (1399908 Ontario Ltd.)		9.00	9.00
3	Pt. 30 0.09	37-553 (1399908 Ontario Ltd.)		12.00	12.00
3	Pt. 30 0.09	37-552 (1399908 Ontario Ltd.)		12.00	12.00

SCHEDULE 'C' - ASSESSMENT FOR CONSTRUCTION (cont'd)

**BIEDERMAN DRAIN
City of Port Colborne**

CON.	HECTARES LOT AFFECTED	ROLL No. (OWNER)	BENEFIT	OUTLET	TOTAL
MAIN DRAIN (cont'd)					
City of Port Colborne <i>(Geographic Humberstone)</i>					
3	Pt. 30	0.06 37-551 (1399908 Ontario Ltd.)	\$	\$ 8.00	\$ 8.00
3	Pt. 30	0.06 37-549 (1399908 Ontario Ltd.)		8.00	8.00
3	Pt. 30	0.08 37-548 (1399908 Ontario Ltd.)		11.00	11.00
3	Pt. 30	0.09 37-547 (1399908 Ontario Ltd.)		11.00	11.00
3	Pt. 30	0.08 37-546 (1399908 Ontario Ltd.)		11.00	11.00
3	Pt. 30	0.10 37-545 (1399908 Ontario Ltd.)		12.00	12.00
3	Pt. 30	0.06 37-544 (1399908 Ontario Ltd.)		8.00	8.00
3	Pt. 30	0.06 37-543 (1399908 Ontario Ltd.)		8.00	8.00
3	Pt. 30	0.06 37-542 (1399908 Ontario Ltd.)		8.00	8.00
3	Pt. 30	0.06 37-541 (1399908 Ontario Ltd.)		8.00	8.00
3	Pt. 30	0.06 37-540 (1399908 Ontario Ltd.)		8.00	8.00
3	Pt. 30	0.06 37-539 (1399908 Ontario Ltd.)		8.00	8.00
3	Pt. 30	12.80 37-103 (R. Rotella)		893.00	893.00
3	Pt. 30	5.75 37-135 (City of Port Colborne)	4,940.00	302.00	5,242.00
3	Pt. 30	3.10 37-130 (1784550 Ontario Inc.)		166.00	166.00
3	Pt. 30	1.06 37-140-20 (2843966 Ontario Inc.)		128.00	128.00
3	Pt. 30	1.59 37-140 (2440240 Ontario Inc.)	2,410.00	193.00	2,603.00
3	Pt. 30	0.46 37-140-10 (Van Jon Paving Ltd.)		56.00	56.00
3	Pt. 30	0.30 37-140-60 P. Wangler)		36.00	36.00
3	Pt. 31	3.35 38-238 (Elevate Fourth Developments Ltd.)		393.00	393.00
3	Pt. 31	5.11 38-237 (L. Sardella)		600.00	600.00
3	Pt. 31	20.90 38-265 (H. Wang)	6,710.00	1,673.00	8,383.00
3	Pt. 31	10.30 38-263 (OverGreen Hill Investment Ltd.)		1,139.00	1,139.00
3	Pt. 31	0.14 38-235-20 (N. Sergebese)		24.00	24.00
3	Pt. 31	0.14 38-236 (P. Collins)		24.00	24.00
3	Pt. 31	0.17 38-237-01 (D. Sardella)		29.00	29.00
3	Pt. 31	0.13 38-237-02 (G. Sardella)		23.00	23.00
3	Pt. 31	0.08 38-237-03 (D. Di Lorenzo)		15.00	15.00
3	Pt. 31	0.08 38-237-04 (L. Look)		15.00	15.00
3	Pt. 31	0.09 38-237-05 (P. Van Dyke)		16.00	16.00
3	Pt. 31	0.09 38-237-06 (K. Minor)		16.00	16.00
3	Pt. 31	0.08 38-237-07 (G. Hernandez)		15.00	15.00
3	Pt. 31	0.11 38-237-08 (J. Salvatore)		19.00	19.00
3	Pt. 31	0.08 38-237-10 (G. Brunette)		15.00	15.00
3	Pt. 31	0.08 38-237-12 (G. Rowe)		15.00	15.00
3	Pt. 31	0.08 38-237-14 (P. Masotti)		15.00	15.00
3	Pt. 31	0.08 38-237-16 (C. Burghgraef)		15.00	15.00
3	Pt. 31	0.40 38-238-05 (J. Rapattoni)		71.00	71.00
3	Pt. 32	20.90 38-264 (FAY Farms Trucking & Excavation Inc.)	5,360.00	1,108.00	6,468.00
3	Pt. 32	2.70 38-264-05 (K. Kendell)	1,670.00	158.00	1,828.00
3	Pt. 32	2.69 38-264-06 (S. Kendell)	1,710.00	166.00	1,876.00
3	Pt. 32	2.69 38-264-07 (K. Kendell)		201.00	201.00

SCHEDULE 'C' - ASSESSMENT FOR CONSTRUCTION (cont'd)

BIEDERMAN DRAIN
City of Port Colborne

CON.	HECTARES LOT AFFECTED	ROLL No. (OWNER)	BENEFIT	OUTLET	TOTAL
MAIN DRAIN (cont'd)					
City of Port Colborne					
<i>(Geographic Humberstone)</i>					
3	Pt. 32	2.69 38-264-08 (S. Kendell)	\$	\$ 257.00	\$ 257.00
3	Pt. 32	1.89 38-239-05 (C. Hogg)		209.00	209.00
3	Pt. 32	1.00 38-240 (D. Thomas)		102.00	102.00
3	Pt. 32	0.54 38-241 (J. Beaudry)		47.00	47.00
3	Pt. 32	0.11 38-242-01 (R. Caron)		20.00	20.00
3	Pt. 32	0.39 38-239 (F. Hicks)		71.00	71.00
3	Pt. 32	1.04 38-239-04 (P. Karastamatis)		111.00	111.00
3	Pt. 32	1.04 38-239-03 (B. Haynes)		104.00	104.00
3	Pt. 32	2.04 38-239-02 (K. Kendell)		246.00	246.00
3	Pt. 32	1.62 38-239-01 (P. Macintrye)		195.00	195.00
3	31, 32 &	33 41.60 38-286 (Infrastructure Ontario)	920.00	1,705.00	2,625.00
3	Pt. 33	23.40 38-285 (FAY Farms Trucking & Excavation Inc.)		1,568.00	1,568.00
3	Pt. 33	2.74 38-245 (G. Adair)	1,480.00	351.00	1,831.00
3	Pt. 33	1.11 38-244 (M. Lamontagne)	550.00	142.00	692.00
3	Pt. 33	2.30 38-242 (G. Adair)		147.00	147.00
3	Pt. 33	8.83 38-243 (T. Rodrigue)	4,510.00	669.00	5,179.00
3	Pt. 33	1.62 38-243-06 (J. Adair)	600.00	207.00	807.00
3	Pt. 33	1.62 38-243-05 (J. Putman)		162.00	162.00
4		28 45.70 39-147 (Niagara Peninsula Conservation Authority)		530.00	530.00
4		28 17.50 39-147-75 (Niagara Peninsula Conservation Authority)		203.00	203.00
4		28 0.18 39-149 (C. Wurfel)		8.00	8.00
4	29 &	30 33.70 39-151 (E. Barevich)		1,377.00	1,377.00
4	29 &	30 34.00 39-152 (C. Lewis)		1,289.00	1,289.00
4		29 0.80 39-153 (C. Lewis)		33.00	33.00
4		29 4.71 39-152-05 (C. Lewis)		197.00	197.00
4		29 4.55 39-151-01 (E. Barevich)		190.00	190.00
4		31 37.50 39-170 (J. Li)		1,381.00	1,381.00
4		31 4.00 39-174 (B. White)		84.00	84.00
4		31 6.90 39-171 (Macron Industries Corporation)		289.00	289.00
4		31 1.23 39-170-01 (2466739 Ontario Inc.)		51.00	51.00
4		31 1.08 39-169 (D. Kolacz)		46.00	46.00
4		31 2.98 39-168 (C. Gravel-Willie)		124.00	124.00

SCHEDULE 'C' - ASSESSMENT FOR CONSTRUCTION (cont'd)

BIEDERMAN DRAIN
City of Port Colborne

CON.	HECTARES LOT AFFECTED	ROLL No. (OWNER)	BENEFIT	OUTLET	TOTAL
MAIN DRAIN (cont'd)					
City of Port Colborne					
<i>(Geographic Humberstone)</i>					
4	32 48.20	39-175 (Triple G Farms Inc.)	\$	\$ 1,965.00	\$ 1,965.00
4	32 18.60	39-177 (Triple G Farms Inc.)		778.00	778.00
4	32 14.80	39-181-01 (R. Groszeibl)		309.00	309.00
4	32 1.86	38-287-01 (R. Groszeibl)		39.00	39.00
4	32 1.86	38-287-02 (Triple G Farms Inc.)		39.00	39.00
4	33 66.30	39-178 (Triple G Farms Inc.)		2,774.00	2,774.00
4	33 0.80	39-180 (W. Johnston)		33.00	33.00
4	33 2.48	39-181 (J. Sardo)		104.00	104.00
4	33 3.75	38-287 (Triple G Farms Inc.)		157.00	157.00
TOTAL ASSESSMENT ON LANDS			\$ 41,110.00	\$ 37,914.00	\$ 79,024.00
Elm Street	7.40	City of Port Colborne	\$ 500.00	\$ 589.00	\$ 1,089.00
Highway 58	15.50	Ministry of Transportation Ontario	530.00	5,081.00	5,611.00
Lot 32/33 Unopened	7.80	City of Port Colborne	350.00	917.00	1,267.00
Townline Road (50%)	9.70	City of Port Colborne		1,298.00	1,298.00
Con. 3/4 Unopened	8.00	City of Port Colborne	18,790.00	321.00	19,111.00
Invertose Drive	2.00	City of Port Colborne		8.00	8.00
Stonebridge Drive	2.30	City of Port Colborne	370.00	517.00	887.00
Barrick Road	2.60	City of Port Colborne		1,034.00	1,034.00
Westfield Place	0.30	City of Port Colborne		24.00	24.00
Parkside Drive	1.09	City of Port Colborne		87.00	87.00
Aintree Place	0.16	City of Port Colborne		13.00	13.00
Sherwood Drive	0.91	City of Port Colborne		72.00	72.00
Meadowlark Drive	1.03	City of Port Colborne		82.00	82.00
Springside Drive	0.84	City of Port Colborne		67.00	67.00
Saturn Road	0.47	City of Port Colborne		37.00	37.00
Apollo Drive	0.51	City of Port Colborne		40.00	40.00
Oriole Crescent	0.64	City of Port Colborne		51.00	51.00
Hillcrest Road	0.71	City of Port Colborne		56.00	56.00
Runnymede Road	0.88	City of Port Colborne		70.00	70.00
Thorncrest Road	0.99	City of Port Colborne		79.00	79.00
Petersburg Circle	0.38	City of Port Colborne		31.00	31.00
Humberstone Crescent	0.44	City of Port Colborne		35.00	35.00
Oxford Boulevard	0.45	City of Port Colborne		36.00	36.00
TOTAL ASSESSMENT ON ROADS			\$ 20,540.00	\$ 10,545.00	\$ 31,085.00

SCHEDULE 'C' - ASSESSMENT FOR CONSTRUCTION (cont'd)

BIEDERMAN DRAIN
City of Port Colborne

CON.	HECTARES LOT AFFECTED	ROLL No. (OWNER)	BENEFIT	OUTLET	TOTAL
MAIN DRAIN (cont'd)					
City of Port Colborne <i>(Geographic Humberstone)</i>					
		SPECIAL ASSESSMENT against the City of Port Colborne for the increased cost of cleaning through their concrete culvert on Elm Street			\$ 8,410.00
		SPECIAL ASSESSMENT against the City of Port Colborne for the increased cost of cleaning through their triple C.S.P. culverts on Harbour Line Railway			\$ 10,250.00
		SPECIAL ASSESSMENT against the City of Port Colborne for the increased cost of cleaning through their concrete culvert on Stonebridge Drive			\$ 7,790.00
		SPECIAL ASSESSMENT against the Ministry of Transportation for the increased cost of cleaning through their concrete twin span culvert on Highway No.58			\$ 20,300.00
		SPECIAL ASSESSMENT against the City of Port Colborne for their portion (50%) for the increased cost of installing a 1600mm Dia. C.S.P. under Townline Road			\$ 16,610.00
TOTAL ASSESSMENT IN THE CITY OF PORT COLBORNE					\$ 173,469.00
City of Welland <i>(Geographic Humberstone)</i>					
2	Pt. 33	8.50 2-075 (Triple G. Farms Inc.)	\$	\$ 337.00	\$ 337.00
TOTAL ASSESSMENT ON LANDS			\$	\$ 337.00	\$ 337.00
Townline Road (50%) 0.20 City of Welland			\$ 170.00	\$ 28.00	\$ 198.00
TOTAL ASSESSMENT ON ROADS			\$ 170.00	\$ 28.00	\$ 198.00
TOTAL ASSESSMENT IN THE CITY OF WELLAND					\$ 535.00

SCHEDULE 'C' - ASSESSMENT FOR CONSTRUCTION (cont'd)

**BIEDERMAN DRAIN
City of Port Colborne**

CON.	HECTARES		ROLL No. (OWNER)	BENEFIT	OUTLET	TOTAL	
	LOT	AFFECTED					
MAIN DRAIN (cont'd)							
Township of Wainfleet							
2	Pt.	1	10.80	1-250-50 (A. Dilorenzo Secord & N. Secord)	\$ 948.00	\$ 948.00	
2	1 &	2	70.10	1-250 (Lowland Farms Limited)	10,542.00	10,542.00	
2	Pt.	2	2.20	1-254 (E. Robbins)	259.00	259.00	
2	Pt.	3	5.21	1-263 (N.P.C.A.)	563.00	563.00	
2	Pt.	3	4.80	1-262 (R. & C. Ethier)	426.00	426.00	
2	Pt.	3	5.06	1-260-01 (A. Tedesco)	448.00	448.00	
2	Pt.	3	5.06	1-260 (J. Nasato)	448.00	448.00	
2	Pt.	3	4.18	1-259-10 (Waterford Sand & Gravel Ltd.)	430.00	430.00	
2	3 &	4	20.00	1-261 (Lowland Farms Ltd.)	2,892.00	2,892.00	
2	Pt.	4	19.20	1-261-02 (Lowland Farms)	21,890.00	6,213.00	
2	Pt.	4	1.00	1-261-04 (T. Lauricella & D. Sabo)	396.00	396.00	
2	4 &	5	32.70	1-264 (Waterford Sand & Gravel Ltd.)	10,690.00	8,797.00	
2	Pt.	6	44.50	2-255 (Paul Cameron Holdings Inc.)	8,025.00	16,820.00	
2	Pt.	6	5.44	2-255-02 (Erie Tracker Outfitters Ltd.)	2,735.00	1,833.00	
2	Pt.	6	7.06	2-250 (Waterford Sand & Gravel Ltd.)	2,742.00	2,742.00	
2	Pt.	6	0.20	2-253 (J. & A. Lelay)	101.00	101.00	
2	Pt.	6	0.81	2-255-01 (Waterford Sand & Gravel Ltd.)	400.00	400.00	
2	Pt.	7	14.20	2-262 (Waterford Sand & Gravel Ltd.)	5,732.00	5,732.00	
3	Pt.	1	1.90	7-001 (FAY Farms Trucking & Excavation Inc.)	144.00	144.00	
3	1, 2 &	3	91.00	7-001-01 (Management Board Secretariat)	9,284.00	9,284.00	
3	1-6 &	7	378.00	7-002 (Niagara Peninsula Conservation Authority)	48,840.00	62,592.00	
4	Pt.	1	40.30	7-032 (Bestholme Farms Inc.)	1,465.00	1,465.00	
4	Pt.	1	8.10	7-030 (M. & N. Petrusic)	169.00	169.00	
4	Pt.	1	0.32	7-031 (R. Scott)	13.00	13.00	
4	Pt.	1	1.75	7-029-02 (J. & D. Dobrindt)	74.00	74.00	
4	Pt.	1	0.81	7-029-01 (D. Hardman & L. Pasto)	33.00	33.00	
4	Pt.	2	16.90	7-035 (G. Patri)	705.00	705.00	
4	Pt.	2	1.00	7-034-01 (1816601 Ontario)	41.00	41.00	
4	Pt.	2	0.52	7-034-04 (T. & C. Pahowski)	21.00	21.00	
4	Pt.	2	25.70	7-033 (Triple G Farms Ltd.)	1,073.00	1,073.00	
4	Pt.	2	0.86	7-033-10 (G. Brown & A. Suters)	36.00	36.00	
4	Pt.	2	4.20	7-029 (N. D'Aurizio)	175.00	175.00	
4	Pt.	3	9.20	7-036 (P. Martino)	384.00	384.00	
TOTAL ASSESSMENT ON LANDS					\$ 92,180.00	\$ 136,199.00	\$ 228,379.00

SCHEDULE 'C' - ASSESSMENT FOR CONSTRUCTION (cont'd)

BIEDERMAN DRAIN
City of Port Colborne

CON.	HECTARES LOT AFFECTED	ROLL No. (OWNER)	BENEFIT	OUTLET	TOTAL
MAIN DRAIN (cont'd)					
Township of Wainfleet					
Townline Road (50%)	0.20	Township of Wainfleet	\$ 250.00	\$ 400.00	\$ 650.00
Youngs Road	2.10	Township of Wainfleet		3,593.00	3,593.00
Lot 1/2 Unopened	5.80	Township of Wainfleet	450.00	3,308.00	3,758.00
Lot 3/4 Unopened	3.20	Township of Wainfleet	540.00	1,825.00	2,365.00
Erie Peat Road	3.00	Township of Wainfleet		5,137.00	5,137.00
Biederman Road	5.80	Township of Wainfleet	540.00	3,308.00	3,848.00
Lot 7/8 Unopened	3.50	Township of Wainfleet		1,996.00	1,996.00
Con. 2/3 Unopened	5.80	Township of Wainfleet	650.00	3,300.00	3,950.00
TOTAL ASSESSMENT ON ROADS			\$ 2,430.00	\$ 22,867.00	\$ 25,297.00

SPECIAL ASSESSMENT against the Township of Wainfleet for their portion
for the increased cost of installing a 1500mm Dia. C.S.P. under Biederman Road \$ 29,110.00

SPECIAL ASSESSMENT against the Township of Wainfleet for their portion (50%)
for the increased cost of installing a 1600mm Dia. C.S.P. under Townline Road \$ 16,610.00

TOTAL ASSESSMENT IN THE TOWNSHIP OF WAINFLEET \$ 299,396.00

SUGAR BRANCH**City of Port Colborne**

3	Pt.	28	3.50	37-092 (City of Port Colborne)	\$ 11,000.00	\$ 160.00	\$ 11,160.00
3	Pt.	28	12.80	37-091-03 (Jungbunzlauer Canada Inc	3,500.00	2,334.00	5,834.00
3	Pt.	28	63.50	37-091 (Jungbunzlauer Canada Inc.)		11,581.00	11,581.00
3	Pt.	28	1.58	37-091-04 (Canarector Properties Inc)		720.00	720.00
3	Pt.	28	1.81	37-091-06 (1814164 Ontario Inc.)		826.00	826.00
3	Pt.	28	1.58	37-091-08 (1150617 Ontario Inc.)		720.00	720.00
3	Pt.	28	1.27	37-091-10 (Trimac Transportation Services Inc.)		580.00	580.00
TOTAL ASSESSMENT ON LANDS					\$ 14,500.00	\$ 16,921.00	\$ 31,421.00
Invertose Drive			2.00	City of Port Colborne	\$ 3,500.00	\$ 1,079.00	\$ 4,579.00
TOTAL ASSESSMENT ON ROADS					\$ 3,500.00	\$ 1,079.00	\$ 4,579.00

TOTAL ASSESSMENT ON SUGAR BRANCH \$ 36,000.00

SCHEDULE 'C' - ASSESSMENT FOR CONSTRUCTION (cont'd)

BIEDERMAN DRAIN
City of Port Colborne

CON.	HECTARES LOT AFFECTED	ROLL No. (OWNER)	BENEFIT	OUTLET	TOTAL
BRANCH "A"					
City of Port Colborne					
2	Pt. 33	18.20 38-271 (S. Kilty)	\$	\$ 415.00	\$ 415.00
2	Pt. 33	1.63 38-271-10 (M. Yallin)		57.00	57.00
3	Pt. 33	0.30 38-244 (M. Lamontagne)		8.00	8.00
3	Pt. 33	0.90 38-243 (T. Rodrigue)		15.00	15.00
3	Pt. 33	1.00 38-243-06 (J. Adair)	800.00	18.00	818.00
3	Pt. 33	1.62 38-243-05 (J. Putman)		23.00	23.00
TOTAL ASSESSMENT ON LANDS			\$ 800.00	\$ 536.00	\$ 1,336.00
Barrick Road 0.85 Township of Wainfleet			\$	\$ 264.00	\$ 264.00
TOTAL ASSESSMENT ON ROADS			\$	\$ 264.00	\$ 264.00
TOTAL ASSESSMENT ON BRANCH "A"					\$ 1,600.00
BRANCH "B"					
Township of Wainfleet					
2	Pt. 1	10.80 1-250-50 (A. Dilorenzo Secord & N. Secord)	\$	\$ 167.00	\$ 167.00
2	1 & Pt. 2	70.10 1-250 (Lowland Farms Limited)	1,000.00	1,447.00	2,447.00
2	Pt. 2	2.20 1-254 (E. Robbins)		35.00	35.00
2	Pt. 3	4.08 1-263 (N.P.C.A.)		49.00	49.00
2	Pt. 3	4.80 1-262 (R. & C. Ethier)		58.00	58.00
2	Pt. 3	20.00 1-261 (Lowland Farms Ltd.)		397.00	397.00
2	Pt. 3	5.06 1-260-01 (A. Tedesco)		62.00	62.00
2	Pt. 3	5.06 1-260 (J. Nasato)		62.00	62.00
2	Pt. 3	4.18 1-259-10 (Waterford Sand & Gravel Ltd.)		59.00	59.00
3	Pt. 1	0.10 7-001 (FAY Farms Trucking & Excavation Inc.)	2,500.00	1.00	2,501.00
TOTAL ASSESSMENT ON LANDS			\$ 3,500.00	\$ 2,337.00	\$ 5,837.00
Townline Road (50%) 1.10 Township of Wainfleet			\$	\$ 80.00	\$ 80.00
Erie Peat Road 1.40 Township of Wainfleet				102.00	102.00
Con. 2/3 Unopened 1.10 Township of Wainfleet			900.00	81.00	981.00
TOTAL ASSESSMENT ON ROADS			\$ 900.00	\$ 263.00	\$ 1,163.00
TOTAL ASSESSMENT ON BRANCH "B"					\$ 7,000.00
TOTAL ASSESSMENT ON THE BIEDERMAN DRAIN					\$ 518,000.00

SCHEDULE 'D' - ASSESSMENT FOR MAINTENANCE

BIEDERMAN DRAIN**City of Port Colborne**

Job No. 219271

January 12, 2023

CON.	LOT	HECTARES AFFECTE	ROLL No. (OWNER)	PERCENTAGE OF MAINTENANCE COST
MAIN DRAIN				
City of Port Colborne				
<i>(Geographic Humberstone)</i>				
2	Pt. 31	0.04	38-232-10 (J. Kish)	0.002 %
2	Pt. 31	0.04	38-232 (A. Kish)	0.002
2	Pt. 31	0.04	38-231 (W. Crowther)	0.002
2	Pt. 31	0.04	38-230 (R. Corey)	0.002
2	Pt. 31	0.08	38-229 (T. Terfry)	0.005
2	Pt. 31	0.04	38-228-05 (M. Steven)	0.002
2	Pt. 31	0.04	38-228-03 (T. Huffman)	0.002
2	Pt. 31	0.04	38-228-02 (P. Chiomey)	0.002
2	Pt. 31	0.08	38-228 (T. Lasovich)	0.005
2	Pt. 31	0.04	38-227 (C. Labrie)	0.002
2	Pt. 31	0.12	38-226 (J. Penner)	0.007
2	Pt. 31	0.04	38-225-02 (C. Gunn)	0.002
2	Pt. 31	0.04	38-225 (C. Campbell)	0.002
2	Pt. 31	0.01	38-224-18 (City of Port Colborne)	0.001
2	Pt. 31	0.04	38-224-16 (D. Zappone)	0.002
2	Pt. 31	0.04	38-224-14 (E. Todd)	0.002
2	Pt. 31	0.04	38-254-05 (S. Barrick)	0.002
2	Pt. 31	0.04	38-254-10 (M. Muscat)	0.002
2	Pt. 31	0.12	38-262 (R. Marr)	0.007
2	Pt. 32	0.25	38-268 (S. Holjak)	0.015
2	Pt. 32	0.04	38-267-15 (D. Kish)	0.002
2	Pt. 32	0.10	38-235 (A. Gelsumini)	0.006
2	Pt. 32	0.06	38-234 (M. Todd)	0.004
2	Pt. 32	0.06	38-233 (T. Stead)	0.004
2	Pt. 32	0.15	38-232-02 (L. Pambianco)	0.009
2	Pt. 33	1.63	38-271-10 (M. Yallin)	0.072
2	Pt. 33	18.20	38-271 (S. Kilty)	0.521
3	Pt. 28	63.50	37-091 (Jungbunzlauer Canada Inc.)	0.044
3	Pt. 28	36.70	37-092 (City of Port Colborne)	0.009
3	Pt. 28	12.80	37-091-03 (Jungbunzlauer Canada Inc.)	0.009
3	Pt. 28	1.58	37-091-04 (Canerector Properties Inc)	0.001
3	Pt. 28	1.81	37-091-06 (1814164 Ontario Inc.)	0.001
3	Pt. 28	1.58	37-091-08 (1150617 Ontario Inc.)	0.001
3	Pt. 28	1.27	37-091-10 (Trimac Transportation Services Inc.)	0.001
3	Pt. 29	0.05	37-218 (1399908 Ontario Ltd.)	0.002
3	Pt. 29	0.04	37-218-02 (1399908 Ontario Ltd.)	0.002
3	Pt. 29	0.05	37-219 (1399908 Ontario Ltd.)	0.002
3	Pt. 29	0.05	37-219-02 (1399908 Ontario Ltd.)	0.002
3	Pt. 29	0.05	37-220 (1399908 Ontario Ltd.)	0.002
3	Pt. 29	0.05	37-220-02 (1399908 Ontario Ltd.)	0.002

SCHEDULE 'D' - ASSESSMENT FOR MAINTENANCE (cont'd)

BIEDERMAN DRAIN
City of Port Colborne

CON.	LOT	HECTARES AFFECTE	ROLL No. (OWNER)	PERCENTAGE OF MAINTENANCE COST
MAIN DRAIN (cont'd)				
City of Port Colborne				
<i>(Geographic Humberstone)</i>				
3	Pt. 29	0.05	37-221 (1399908 Ontario Ltd.)	0.002 %
3	Pt. 29	0.05	37-221-02 (1399908 Ontario Ltd.)	0.002
3	Pt. 29	0.05	37-222 (1399908 Ontario Ltd.)	0.002
3	Pt. 29	0.05	37-222-02 (1399908 Ontario Ltd.)	0.002
3	Pt. 29	0.05	37-223 (1399908 Ontario Ltd.)	0.002
3	Pt. 29	0.05	37-223-02 (1399908 Ontario Ltd.)	0.002
3	Pt. 29	0.05	37-224 (1399908 Ontario Ltd.)	0.002
3	Pt. 29	0.05	37-224-02 (1399908 Ontario Ltd.)	0.002
3	Pt. 29	0.06	37-225 (1399908 Ontario Ltd.)	0.003
3	Pt. 29	0.06	37-225-02 (1399908 Ontario Ltd.)	0.003
3	Pt. 29	0.06	37-226 (1399908 Ontario Ltd.)	0.003
3	Pt. 29	0.07	37-226-02 (1399908 Ontario Ltd.)	0.003
3	Pt. 29	0.05	37-247 (1399908 Ontario Ltd.)	0.002
3	Pt. 29	0.04	37-248 (1399908 Ontario Ltd.)	0.002
3	Pt. 29	0.06	37-249 (1399908 Ontario Ltd.)	0.003
3	Pt. 29	0.06	37-250 (1399908 Ontario Ltd.)	0.003
3	Pt. 29	0.06	37-251 (1399908 Ontario Ltd.)	0.003
3	Pt. 29	0.06	37-252 (1399908 Ontario Ltd.)	0.003
3	Pt. 29	0.05	37-253 (1399908 Ontario Ltd.)	0.002
3	Pt. 29	0.05	37-254 (1399908 Ontario Ltd.)	0.002
3	Pt. 29	0.05	37-255 (1399908 Ontario Ltd.)	0.002
3	Pt. 29	0.05	37-256 (1399908 Ontario Ltd.)	0.002
3	Pt. 29	0.05	37-257 (1399908 Ontario Ltd.)	0.002
3	Pt. 29	0.05	37-258 (1399908 Ontario Ltd.)	0.002
3	Pt. 29	0.05	37-259 (1399908 Ontario Ltd.)	0.002
3	Pt. 29	0.06	37-260 (1399908 Ontario Ltd.)	0.003
3	Pt. 29	0.06	37-261 (1399908 Ontario Ltd.)	0.003
3	Pt. 29	0.05	37-262 (1399908 Ontario Ltd.)	0.002
3	Pt. 29	0.05	37-323 (Pine Glen Colborne Inc.)	0.002
3	Pt. 29	0.06	37-322 (Pine Glen Colborne Inc.)	0.003
3	Pt. 29	0.08	37-321 (Pine Glen Colborne Inc.)	0.004
3	Pt. 29	0.12	37-320 (Pine Glen Colborne Inc.)	0.005
3	Pt. 29	0.09	37-319 (Pine Glen Colborne Inc.)	0.004
3	Pt. 29	0.06	37-318 (Pine Glen Colborne Inc.)	0.003
3	Pt. 29	0.05	37-317 (Pine Glen Colborne Inc.)	0.002
3	Pt. 29	0.05	37-316 (Pine Glen Colborne Inc.)	0.002
3	Pt. 29	0.05	37-315 (Pine Glen Colborne Inc.)	0.002
3	Pt. 29	0.05	37-314 (Pine Glen Colborne Inc.)	0.002
3	Pt. 29	0.05	37-313 (Pine Glen Colborne Inc.)	0.002
3	Pt. 29	0.05	37-312 (Pine Glen Colborne Inc.)	0.002
3	Pt. 29	0.05	37-311 (Pine Glen Colborne Inc.)	0.002
3	Pt. 29	0.05	37-310 (Pine Glen Colborne Inc.)	0.002
3	Pt. 29	0.07	37-309 (Pine Glen Colborne Inc.)	0.003

SCHEDULE 'D' - ASSESSMENT FOR MAINTENANCE (cont'd)

BIEDERMAN DRAIN
City of Port Colborne

CON.	LOT	HECTARES AFFECTE	ROLL No. (OWNER)	PERCENTAGE OF MAINTENANCE COST
MAIN DRAIN (cont'd)				
City of Port Colborne				
<i>(Geographic Humberstone)</i>				
3	Pt. 29	0.07	37-308 (Pine Glen Colborne Inc.)	0.003 %
3	Pt. 29	0.07	37-327 (Pine Glen Colborne Inc.)	0.003
3	Pt. 29	0.06	37-328 (Pine Glen Colborne Inc.)	0.003
3	Pt. 29	0.06	37-329 (Pine Glen Colborne Inc.)	0.003
3	Pt. 29	0.06	37-330 (Pine Glen Colborne Inc.)	0.003
3	Pt. 29	0.06	37-331 (Pine Glen Colborne Inc.)	0.003
3	Pt. 29	0.07	37-332 (Pine Glen Colborne Inc.)	0.003
3	Pt. 29	0.05	37-333 (Pine Glen Colborne Inc.)	0.002
3	Pt. 29	0.06	37-162 (C. Hawkhisstone)	0.003
3	Pt. 29	0.06	37-162-02 (M. Mastracci)	0.003
3	Pt. 29	0.06	37-163 (B. Beck)	0.003
3	Pt. 29	0.06	37-164 (G. Trottier)	0.003
3	Pt. 29	0.06	37-165 (A. Esposito)	0.003
3	Pt. 29	0.06	37-166 (S. Sokulski)	0.003
3	Pt. 29	0.06	37-167 (K. Koiter)	0.003
3	Pt. 29	0.07	37-168 (G. Govey)	0.003
3	Pt. 29	0.08	37-170 (R. Passmore)	0.004
3	Pt. 29	0.08	37-171 (B. Lobbezoo)	0.004
3	Pt. 29	0.06	37-172 (G. Garner)	0.003
3	Pt. 29	0.07	37-173 (D. Lepoidvin)	0.003
3	Pt. 29	0.06	37-183 (T. Dirstein)	0.003
3	Pt. 29	0.06	37-184 (D. Legault)	0.003
3	Pt. 29	0.06	37-185 (A. Giorgi)	0.003
3	Pt. 29	0.06	37-186 (L. Santos)	0.003
3	Pt. 29	0.06	37-187 (S. Templain)	0.003
3	Pt. 29	0.06	37-188 (T. Jones)	0.003
3	Pt. 29	0.05	37-189 (S. Bozzato)	0.002
3	Pt. 29	0.08	37-302-20 (V. Bereznyuk)	0.004
3	Pt. 29	0.05	37-302-18 (Y. Cloutier)	0.002
3	Pt. 29	0.06	37-302-16 (V. Ransky)	0.003
3	Pt. 29	0.06	37-302-14 (C. Demosthenes)	0.003
3	Pt. 29	0.06	37-302-12 (D. Harms)	0.003
3	Pt. 29	0.06	37-302-10 (K. Neil)	0.003
3	Pt. 29	0.06	37-302-08 (A. Domanico)	0.003
3	Pt. 29	0.06	37-302-06 (L. Gregovski)	0.003
3	Pt. 29	0.06	37-302-04 (J. Chamberlain)	0.003
3	Pt. 29	0.05	37-302-02 (J. Geborski)	0.002
3	Pt. 29	0.05	37-302 (T. Lamb)	0.002
3	Pt. 29	0.08	37-282 (T. Charles)	0.004
3	Pt. 29	0.07	37-283 (M. Gallinger)	0.003
3	Pt. 29	0.07	37-284 (E. Mendoza)	0.003
3	Pt. 29	0.07	37-285 (J. Krueger)	0.003
3	Pt. 29	0.07	37-286 (J. Rutherford)	0.003

SCHEDULE 'D' - ASSESSMENT FOR MAINTENANCE (cont'd)

BIEDERMAN DRAIN
City of Port Colborne

CON.	LOT	HECTARES AFFECTE	ROLL No. (OWNER)	PERCENTAGE OF MAINTENANCE COST
------	-----	---------------------	------------------	-----------------------------------

MAIN DRAIN (cont'd)**City of Port Colborne***(Geographic Humberstone)*

3	Pt. 29	0.07	37-287 (A. Smith)	0.003 %
3	Pt. 29	0.07	37-288 (A. Robichaud)	0.003
3	Pt. 29	0.08	37-289 (J. Phillips)	0.004
3	Pt. 29	0.08	37-290 (M. Cockhill)	0.004
3	Pt. 29	0.10	37-291 (C. White)	0.004
3	Pt. 29	0.07	37-292 (R. Martin)	0.003
3	Pt. 29	0.06	37-292-02 (Q. Yu)	0.003
3	Pt. 29	0.06	37-293 (R. Lee)	0.003
3	Pt. 29	0.06	37-293-02 (J. Felker)	0.003
3	Pt. 29	0.06	37-294 (F. Walker)	0.003
3	Pt. 29	0.08	37-294-02 (P. Laughland)	0.004
3	Pt. 29	0.06	37-413 (J. Sliter)	0.003
3	Pt. 29	0.06	37-414 (M. Gehl)	0.003
3	Pt. 29	0.06	37-415 (M. Pollard)	0.003
3	Pt. 29	0.06	37-416 (L. Lariccia)	0.003
3	Pt. 29	0.07	37-417 (D. O'Hara)	0.003
3	Pt. 29	0.06	37-418 (L. Kramer)	0.003
3	Pt. 29	0.08	37-419 (M. Aminillah)	0.004
3	Pt. 29	0.07	37-305 (Pine Glen Colborne Inc.)	0.003
3	Pt. 29	0.11	37-306 (Pine Glen Colborne Inc.)	0.005
3	Pt. 29	0.10	37-307 (Pine Glen Colborne Inc.)	0.004
3	Pt. 29	0.05	37-263 (1399908 Ontario Ltd.)	0.002
3	Pt. 29	0.05	37-264 (1399908 Ontario Ltd.)	0.002
3	Pt. 29	0.05	37-265 (1399908 Ontario Ltd.)	0.002
3	Pt. 29	0.07	37-404 (1399908 Ontario Ltd.)	0.003
3	Pt. 29	0.06	37-405 (1399908 Ontario Ltd.)	0.003
3	Pt. 29	0.06	37-406 (1399908 Ontario Ltd.)	0.003
3	Pt. 29	0.06	37-407 (1399908 Ontario Ltd.)	0.003
3	Pt. 29	0.06	37-408 (1399908 Ontario Ltd.)	0.003
3	Pt. 29	0.06	37-409 (1399908 Ontario Ltd.)	0.003
3	Pt. 29	0.08	37-447-02 (J. Hoggar)	0.004
3	Pt. 29	0.07	37-447 (R. Sardella)	0.003
3	Pt. 29	0.06	37-446-02 (H. Brennan)	0.003
3	Pt. 29	0.06	37-227 (1399908 Ontario Ltd.)	0.003
3	Pt. 29	0.06	37-228 (1399908 Ontario Ltd.)	0.003
3	Pt. 29	0.06	37-229 (1399908 Ontario Ltd.)	0.003
3	Pt. 29	0.06	37-230 (1399908 Ontario Ltd.)	0.003
3	Pt. 29	0.05	37-389 (1399908 Ontario Ltd.)	0.002
3	Pt. 29	0.05	37-388 (1399908 Ontario Ltd.)	0.002
3	Pt. 29	0.06	37-387 (1399908 Ontario Ltd.)	0.003
3	Pt. 29	0.06	37-386 (1399908 Ontario Ltd.)	0.003
3	Pt. 29	0.06	37-397 (1399908 Ontario Ltd.)	0.003
3	Pt. 29	0.06	37-398 (1399908 Ontario Ltd.)	0.003

SCHEDULE 'D' - ASSESSMENT FOR MAINTENANCE (cont'd)

BIEDERMAN DRAIN
City of Port Colborne

CON.	LOT	HECTARES AFFECTE	ROLL No. (OWNER)	PERCENTAGE OF MAINTENANCE COST
------	-----	---------------------	------------------	-----------------------------------

MAIN DRAIN (cont'd)**City of Port Colborne***(Geographic Humberstone)*

3	Pt. 29	0.06	37-399 (1399908 Ontario Ltd.)	0.003 %
3	Pt. 29	0.06	37-400 (1399908 Ontario Ltd.)	0.003
3	Pt. 29	0.05	37-401 (1399908 Ontario Ltd.)	0.002
3	Pt. 29	0.05	37-402 (1399908 Ontario Ltd.)	0.002
3	Pt. 29	0.05	37-366 (1399908 Ontario Ltd.)	0.002
3	Pt. 29	0.06	37-367 (1399908 Ontario Ltd.)	0.003
3	Pt. 29	0.08	37-529 (1399908 Ontario Ltd.)	0.004
3	Pt. 29	0.08	37-530 (1399908 Ontario Ltd.)	0.004
3	Pt. 29	0.08	37-531 (1399908 Ontario Ltd.)	0.004
3	Pt. 29	0.08	37-532 (1399908 Ontario Ltd.)	0.004
3	Pt. 29	0.08	37-533 (1399908 Ontario Ltd.)	0.004
3	Pt. 29	0.08	37-534 (1399908 Ontario Ltd.)	0.004
3	Pt. 29	0.08	37-535 (1399908 Ontario Ltd.)	0.004
3	Pt. 29	0.08	37-536 (1399908 Ontario Ltd.)	0.004
3	Pt. 29	0.11	37-537 (1399908 Ontario Ltd.)	0.005
3	Pt. 29	0.05	37-446 (1399908 Ontario Ltd.)	0.002
3	Pt. 29	0.05	37-445 (1399908 Ontario Ltd.)	0.002
3	Pt. 29	0.05	37-444 (1399908 Ontario Ltd.)	0.002
3	Pt. 29	0.05	37-443 (1399908 Ontario Ltd.)	0.002
3	Pt. 29	0.05	37-442 (1399908 Ontario Ltd.)	0.002
3	Pt. 29	0.05	37-441 (1399908 Ontario Ltd.)	0.002
3	Pt. 29	0.05	37-440 (1399908 Ontario Ltd.)	0.002
3	Pt. 29	0.05	37-439 (1399908 Ontario Ltd.)	0.002
3	Pt. 29	0.05	37-438 (1399908 Ontario Ltd.)	0.002
3	Pt. 29	0.05	37-437 (1399908 Ontario Ltd.)	0.002
3	Pt. 29	0.05	37-436 (1399908 Ontario Ltd.)	0.002
3	Pt. 29	0.05	37-435 (1399908 Ontario Ltd.)	0.002
3	Pt. 29	0.05	37-434 (1399908 Ontario Ltd.)	0.002
3	Pt. 29	0.05	37-433 (1399908 Ontario Ltd.)	0.002
3	Pt. 29	0.06	37-432 (1399908 Ontario Ltd.)	0.003
3	Pt. 29	0.05	37-463 (1399908 Ontario Ltd.)	0.002
3	Pt. 29	0.05	37-464 (1399908 Ontario Ltd.)	0.002
3	Pt. 29	0.05	37-465 (1399908 Ontario Ltd.)	0.002
3	Pt. 29	0.05	37-466 (1399908 Ontario Ltd.)	0.002
3	Pt. 29	0.05	37-467 (1399908 Ontario Ltd.)	0.002
3	Pt. 29	0.05	37-468 (1399908 Ontario Ltd.)	0.002
3	Pt. 29	0.05	37-469 (1399908 Ontario Ltd.)	0.002
3	Pt. 29	0.05	37-470 (1399908 Ontario Ltd.)	0.002
3	Pt. 29	0.05	37-471 (1399908 Ontario Ltd.)	0.002
3	Pt. 29	0.05	37-472 (1399908 Ontario Ltd.)	0.002
3	Pt. 29	0.05	37-473 (1399908 Ontario Ltd.)	0.002
3	Pt. 29	0.05	37-474 (1399908 Ontario Ltd.)	0.002
3	Pt. 29	0.07	37-475 (1399908 Ontario Ltd.)	0.003

SCHEDULE 'D' - ASSESSMENT FOR MAINTENANCE (cont'd)

BIEDERMAN DRAIN
City of Port Colborne

CON.	LOT	HECTARES AFFECTE	ROLL No. (OWNER)	PERCENTAGE OF MAINTENANCE COST
------	-----	---------------------	------------------	-----------------------------------

MAIN DRAIN (cont'd)**City of Port Colborne***(Geographic Humberstone)*

3	Pt. 29	0.08	37-476 (2732373 Ontario Inc.)	0.004 %
3	Pt. 29	0.05	37-515 (1399908 Ontario Ltd.)	0.002
3	Pt. 29	0.05	37-516 (1399908 Ontario Ltd.)	0.002
3	Pt. 29	0.05	37-517 (1435587 Ontario Inc.)	0.002
3	Pt. 29	0.06	37-502 (1399908 Ontario Ltd.)	0.003
3	Pt. 29	0.06	37-501 (1399908 Ontario Ltd.)	0.003
3	Pt. 29	0.04	37-500 (1399908 Ontario Ltd.)	0.002
3	Pt. 29	0.04	37-499 (1399908 Ontario Ltd.)	0.002
3	Pt. 29	0.04	37-498 (1399908 Ontario Ltd.)	0.002
3	Pt. 29	0.05	37-497 (1399908 Ontario Ltd.)	0.002
3	Pt. 29	0.04	37-496 (1399908 Ontario Ltd.)	0.002
3	Pt. 29	0.04	37-495 (1399908 Ontario Ltd.)	0.002
3	Pt. 29	0.04	37-494 (1399908 Ontario Ltd.)	0.002
3	Pt. 29	0.04	37-493 (1399908 Ontario Ltd.)	0.002
3	Pt. 29	0.04	37-492 (1399908 Ontario Ltd.)	0.002
3	Pt. 29	0.04	37-491 (1399908 Ontario Ltd.)	0.002
3	Pt. 29	0.08	37-503 (1399908 Ontario Ltd.)	0.004
3	Pt. 29	0.06	37-504 (1399908 Ontario Ltd.)	0.003
3	Pt. 29	0.06	37-505 (1399908 Ontario Ltd.)	0.003
3	Pt. 29	0.06	37-506 (1399908 Ontario Ltd.)	0.003
3	Pt. 29	0.06	37-507 (1399908 Ontario Ltd.)	0.003
3	Pt. 29	0.06	37-508 (1399908 Ontario Ltd.)	0.003
3	Pt. 29	0.06	37-509 (1399908 Ontario Ltd.)	0.003
3	Pt. 29	0.06	37-510 (1399908 Ontario Ltd.)	0.003
3	Pt. 29	0.06	37-511 (1399908 Ontario Ltd.)	0.003
3	Pt. 29	0.06	37-512 (1399908 Ontario Ltd.)	0.003
3	Pt. 29	0.06	37-513 (1399908 Ontario Ltd.)	0.003
3	Pt. 29	0.06	37-431 (1399908 Ontario Ltd.)	0.003
3	Pt. 29	0.05	37-430 (1399908 Ontario Ltd.)	0.002
3	Pt. 29	0.06	37-429 (1399908 Ontario Ltd.)	0.003
3	Pt. 29	0.05	37-428 (1399908 Ontario Ltd.)	0.002
3	Pt. 29	0.05	37-427 (1399908 Ontario Ltd.)	0.002
3	Pt. 29	0.04	37-456 (1399908 Ontario Ltd.)	0.002
3	Pt. 29	0.04	37-457 (1399908 Ontario Ltd.)	0.002
3	Pt. 29	0.04	37-458 (1399908 Ontario Ltd.)	0.002
3	Pt. 29	0.06	37-459 (1399908 Ontario Ltd.)	0.003
3	Pt. 29	0.05	37-460 (1399908 Ontario Ltd.)	0.002
3	Pt. 29	0.05	37-461 (1399908 Ontario Ltd.)	0.002
3	Pt. 29	0.05	37-462 (1399908 Ontario Ltd.)	0.002
3	Pt. 29	1.61	37-528 (1399908 Ontario Ltd.)	0.072
3	Pt. 29	0.06	37-527 (1399908 Ontario Ltd.)	0.003
3	Pt. 29	0.06	37-526 (1399908 Ontario Ltd.)	0.003
3	Pt. 29	0.07	37-525 (1399908 Ontario Ltd.)	0.003

SCHEDULE 'D' - ASSESSMENT FOR MAINTENANCE (cont'd)

BIEDERMAN DRAIN
City of Port Colborne

CON.	LOT	HECTARES AFFECTE	ROLL No. (OWNER)	PERCENTAGE OF MAINTENANCE COST
------	-----	---------------------	------------------	-----------------------------------

MAIN DRAIN (cont'd)**City of Port Colborne***(Geographic Humberstone)*

3	Pt. 29	0.09	37-524 (1399908 Ontario Ltd.)	0.004 %
3	Pt. 29	0.06	37-523 (1399908 Ontario Ltd.)	0.003
3	Pt. 29	0.07	37-522 (1399908 Ontario Ltd.)	0.003
3	Pt. 29	0.06	37-489 (1399908 Ontario Ltd.)	0.003
3	Pt. 29	0.06	37-488 (1399908 Ontario Ltd.)	0.003
3	Pt. 29	0.07	37-487 (1399908 Ontario Ltd.)	0.003
3	Pt. 29	0.05	37-486 (1399908 Ontario Ltd.)	0.002
3	Pt. 29	0.05	37-485 (1399908 Ontario Ltd.)	0.002
3	Pt. 29	0.04	37-484 (1399908 Ontario Ltd.)	0.002
3	Pt. 29	0.04	37-483 (1399908 Ontario Ltd.)	0.002
3	Pt. 29	0.05	37-482 (1399908 Ontario Ltd.)	0.002
3	Pt. 29	1.80	37-600 (City of Port Colborne)	0.076
3	Pt. 29	0.12	37-094-05 (1399908 Ontario Ltd.)	0.005
3	Pt. 29	0.05	37-095 (V. Sherk)	0.002
3	Pt. 29	0.01	37-096 (1399908 Ontario Ltd.)	0.001
3	Pt. 29	0.25	37-097 (C. Olah)	0.011
3	Pt. 29	0.33	37-098 (Jungbunzlauer Canada Inc.)	0.014
3	Pt. 29	0.09	37-100 (T. Lee)	0.004
3	Pt. 29	1.82	37-140-50 (City of Port Colborne)	0.081
3	Pt. 29	0.42	37-119 (1650733 Ontario Inc.)	0.018
3	Pt. 29	0.60	37-111 (1405354 Ontario Ltd.)	0.027
3	Pt. 29	0.97	37-140-55 (R C Flagman Inc.)	0.043
3	Pt. 29	0.21	37-118 (788893 Ontario Ltd.)	0.009
3	Pt. 29	0.41	37-116 (ESN Electrical Solutions Niagara Inc.)	0.018
3	Pt. 29	0.41	37-114 (M. Henderson)	0.018
3	Pt. 29	0.66	37-113 (Stolk Construction Ltd.)	0.029
3	Pt. 29	2.32	37-101 (City of Port Colborne)	0.103
3	Pt. 29	0.40	37-112-20 (Medina Supply Inc.)	0.017
3	Pt. 29	0.42	37-101-05 (Minor Fisheries Ltd.)	0.019
3	Pt. 29	1.15	37-101-20 (R C Flagman Inc.)	0.051
3	Pt. 29	0.63	37-141 (5001829 Ontario Inc.)	0.028
3	Pt. 29	0.51	37-101-25 (M. Lee)	0.022
3	Pt. 29	2.30	37-101 (City of Port Colborne)	0.102
3	29 & 30	49.50	37-102 (Regional Municipality of Niagara)	2.896
3	Pt. 29	0.07	37-098-20 (Regional Municipality of Niagara)	0.003
3	Pt. 29	0.06	37-098-10 (Regional Municipality of Niagara)	0.002
3	Pt. 29	1.12	37-133 (L. Simpson)	0.050
3	Pt. 29	3.61	37-131 (1891039 Ontario Inc.)	0.160
3	Pt. 29	0.08	37-135 (City of Port Colborne)	0.004
3	Pt. 29	3.63	37-126 (WTC Realty Inc.)	0.161
3	Pt. 30	0.11	37-026 (R. Schooley)	0.005
3	Pt. 30	0.11	37-027 (T. Baker)	0.005

SCHEDULE 'D' - ASSESSMENT FOR MAINTENANCE (cont'd)

BIEDERMAN DRAIN
City of Port Colborne

CON.	LOT	HECTARES AFFECTE	ROLL No. (OWNER)	PERCENTAGE OF MAINTENANCE COST
------	-----	---------------------	------------------	-----------------------------------

MAIN DRAIN (cont'd)**City of Port Colborne***(Geographic Humberstone)*

3	Pt. 30	0.11	37-028 (S. Giannico)	0.005 %
3	Pt. 30	0.11	37-029 (M. Paquette)	0.003
3	Pt. 30	0.11	37-030 (C. Russell)	0.005
3	Pt. 30	0.13	37-031 (J. McCabe-Cook)	0.006
3	Pt. 30	0.11	37-031-01 (T. Rogalsky)	0.005
3	Pt. 30	0.16	37-032 (J. Ranger)	0.007
3	Pt. 30	0.20	37-033 (A. Charlesworth)	0.009
3	Pt. 30	0.13	37-034 (R. Eden)	0.006
3	Pt. 30	0.12	37-035 (C. Lallouet)	0.005
3	Pt. 30	0.11	37-036 (K. Mocko)	0.005
3	Pt. 30	0.11	37-037 (M. Porter)	0.003
3	Pt. 30	0.11	37-038 (S. Butler)	0.005
3	Pt. 30	0.14	37-079 (R. Lagace)	0.006
3	Pt. 30	0.14	37-080 (D. Plata)	0.006
3	Pt. 30	0.15	37-081 (E. Fabisiak)	0.007
3	Pt. 30	0.11	37-039 (R. Adams)	0.005
3	Pt. 30	0.11	37-040 (M. Sardella)	0.005
3	Pt. 30	0.12	37-041 (J. Nicholls)	0.005
3	Pt. 30	0.11	37-042 (N. Zutt)	0.005
3	Pt. 30	0.10	37-043 (L. Skotniski)	0.003
3	Pt. 30	0.10	37-044 (A. Fairman)	0.004
3	Pt. 30	0.11	37-045 (L. Kembley)	0.005
3	Pt. 30	0.11	37-046 (G. Benner)	0.005
3	Pt. 30	0.11	37-048 (E. Maerzluft)	0.005
3	Pt. 30	0.11	37-049 (W. Clarke)	0.005
3	Pt. 30	0.12	37-050 (D. Kittel)	0.005
3	Pt. 30	0.13	37-051 (M. Meleg)	0.006
3	Pt. 30	0.10	37-052 (S. Foebel)	0.004
3	Pt. 30	0.11	37-047 (W. Maw)	0.003
3	Pt. 30	0.11	37-063 (R. Breiter)	0.005
3	Pt. 30	0.11	37-062 (W. Tykoliz)	0.005
3	Pt. 30	0.11	37-061 (G. Dayboll)	0.005
3	Pt. 30	0.13	37-060 (R. Smith)	0.006
3	Pt. 30	0.15	37-088 (M. Kolbinson)	0.007
3	Pt. 30	0.11	37-089 (K. Crompton)	0.005
3	Pt. 30	0.11	37-090 (G. Schneider)	0.005
3	Pt. 30	0.10	37-064 (S. Ross)	0.004
3	Pt. 30	0.11	37-065 (J. Clark)	0.005
3	Pt. 30	0.11	37-066 (K. Sherk)	0.003
3	Pt. 30	0.11	37-067 (M. Farnan)	0.005
3	Pt. 30	0.11	37-068 (R. Turonski)	0.005
3	Pt. 30	0.10	37-069 (D. Iwanicki)	0.004
3	Pt. 30	0.16	37-059 (J. Hill)	0.007

SCHEDULE 'D' - ASSESSMENT FOR MAINTENANCE (cont'd)

BIEDERMAN DRAIN
City of Port Colborne

CON.	LOT	HECTARES AFFECTE	ROLL No. (OWNER)	PERCENTAGE OF MAINTENANCE COST
------	-----	---------------------	------------------	-----------------------------------

MAIN DRAIN (cont'd)**City of Port Colborne***(Geographic Humberstone)*

3	Pt. 30	0.11	37-082 (M. Vankralingen)	0.005 %
3	Pt. 30	0.11	37-083 (K. Lisicky)	0.005
3	Pt. 30	0.11	37-084 (S. Santon)	0.005
3	Pt. 30	0.13	37-085 (G. Disano)	0.006
3	Pt. 30	0.08	37-086 (R. Colangelo)	0.004
3	Pt. 30	0.06	37-086-01 (City of Port Colborne)	0.002
3	Pt. 30	0.08	37-087 (T. Gonyou)	0.004
3	Pt. 30	0.10	37-070 (C. Isbester)	0.004
3	Pt. 30	0.11	37-071 (R. Brownrigg)	0.005
3	Pt. 30	0.11	37-072 (L. Winfield)	0.005
3	Pt. 30	0.11	37-073 (A. Scolaro)	0.005
3	Pt. 30	0.11	37-074 (D. Jacques)	0.005
3	Pt. 30	0.11	37-075 (D. Weaving)	0.005
3	Pt. 30	0.11	37-076 (A. Spadzinski)	0.005
3	Pt. 30	0.11	37-077 (V. Della)	0.005
3	Pt. 30	0.05	37-365 (1399908 Ontario Ltd.)	0.001
3	Pt. 30	1.56	37-364 (1399908 Ontario Ltd.)	0.069
3	Pt. 30	0.08	37-363 (1399908 Ontario Ltd.)	0.004
3	Pt. 30	0.09	37-362 (1399908 Ontario Ltd.)	0.004
3	Pt. 30	0.06	37-361 (1399908 Ontario Ltd.)	0.003
3	Pt. 30	0.06	37-360 (1399908 Ontario Ltd.)	0.003
3	Pt. 30	0.06	37-359 (1399908 Ontario Ltd.)	0.003
3	Pt. 30	0.07	37-358 (1399908 Ontario Ltd.)	0.003
3	Pt. 30	0.05	37-337 (1399908 Ontario Ltd.)	0.002
3	Pt. 30	0.05	37-338 (1399908 Ontario Ltd.)	0.002
3	Pt. 30	0.04	37-339 (1399908 Ontario Ltd.)	0.002
3	Pt. 30	0.04	37-340 (1399908 Ontario Ltd.)	0.002
3	Pt. 30	0.04	37-341 (1399908 Ontario Ltd.)	0.002
3	Pt. 30	0.04	37-342 (1399908 Ontario Ltd.)	0.002
3	Pt. 30	0.04	37-343 (1399908 Ontario Ltd.)	0.002
3	Pt. 30	0.04	37-344 (1399908 Ontario Ltd.)	0.002
3	Pt. 30	0.04	37-345 (1399908 Ontario Ltd.)	0.002
3	Pt. 30	0.04	37-346 (1399908 Ontario Ltd.)	0.002
3	Pt. 30	0.04	37-347 (1399908 Ontario Ltd.)	0.002
3	Pt. 30	0.04	37-348 (1399908 Ontario Ltd.)	0.002
3	Pt. 30	0.04	37-349 (1399908 Ontario Ltd.)	0.002
3	Pt. 30	0.04	37-350 (1399908 Ontario Ltd.)	0.002
3	Pt. 30	0.06	37-351 (1399908 Ontario Ltd.)	0.003
3	Pt. 30	0.05	37-352 (1399908 Ontario Ltd.)	0.002
3	Pt. 30	0.05	37-353 (1399908 Ontario Ltd.)	0.002
3	Pt. 30	0.05	37-354 (1399908 Ontario Ltd.)	0.002
3	Pt. 30	0.04	37-355 (1399908 Ontario Ltd.)	0.002
3	Pt. 30	0.06	37-356 (1399908 Ontario Ltd.)	0.003

SCHEDULE 'D' - ASSESSMENT FOR MAINTENANCE (cont'd)

BIEDERMAN DRAIN
City of Port Colborne

CON.	LOT	HECTARES AFFECTE	ROLL No. (OWNER)	PERCENTAGE OF MAINTENANCE COST
------	-----	---------------------	------------------	-----------------------------------

MAIN DRAIN (cont'd)**City of Port Colborne***(Geographic Humberstone)*

3	Pt. 30	0.06	37-385 (1399908 Ontario Ltd.)	0.003 %
3	Pt. 30	0.06	37-384 (1399908 Ontario Ltd.)	0.002
3	Pt. 30	0.06	37-383 (1399908 Ontario Ltd.)	0.003
3	Pt. 30	0.05	37-382 (1399908 Ontario Ltd.)	0.002
3	Pt. 30	0.06	37-381 (1399908 Ontario Ltd.)	0.003
3	Pt. 30	0.06	37-380 (1399908 Ontario Ltd.)	0.003
3	Pt. 30	0.06	37-396 (1399908 Ontario Ltd.)	0.003
3	Pt. 30	0.05	37-395 (1399908 Ontario Ltd.)	0.002
3	Pt. 30	0.05	37-394 (1399908 Ontario Ltd.)	0.002
3	Pt. 30	0.05	37-393 (1399908 Ontario Ltd.)	0.002
3	Pt. 30	0.05	37-392 (1399908 Ontario Ltd.)	0.002
3	Pt. 30	0.06	37-391 (1399908 Ontario Ltd.)	0.003
3	Pt. 30	0.06	37-421 (1399908 Ontario Ltd.)	0.003
3	Pt. 30	0.06	37-422 (1399908 Ontario Ltd.)	0.003
3	Pt. 30	0.06	37-423 (1399908 Ontario Ltd.)	0.003
3	Pt. 30	0.05	37-424 (1399908 Ontario Ltd.)	0.002
3	Pt. 30	0.05	37-425 (1399908 Ontario Ltd.)	0.002
3	Pt. 30	0.05	37-426 (1399908 Ontario Ltd.)	0.002
3	Pt. 30	0.05	37-449 (1399908 Ontario Ltd.)	0.002
3	Pt. 30	0.04	37-450 (1399908 Ontario Ltd.)	0.002
3	Pt. 30	0.04	37-451 (1399908 Ontario Ltd.)	0.002
3	Pt. 30	0.04	37-452 (1399908 Ontario Ltd.)	0.002
3	Pt. 30	0.04	37-453 (1399908 Ontario Ltd.)	0.002
3	Pt. 30	0.04	37-454 (1399908 Ontario Ltd.)	0.002
3	Pt. 30	0.04	37-455 (1399908 Ontario Ltd.)	0.002
3	Pt. 30	0.06	37-481 (1399908 Ontario Ltd.)	0.003
3	Pt. 30	0.05	37-480 (1399908 Ontario Ltd.)	0.002
3	Pt. 30	0.05	37-479 (1399908 Ontario Ltd.)	0.002
3	Pt. 30	0.04	37-478 (1399908 Ontario Ltd.)	0.002
3	Pt. 30	0.06	37-378 (1399908 Ontario Ltd.)	0.003
3	Pt. 30	0.04	37-377 (1399908 Ontario Ltd.)	0.002
3	Pt. 30	0.04	37-376 (1399908 Ontario Ltd.)	0.002
3	Pt. 30	0.04	37-375 (1399908 Ontario Ltd.)	0.002
3	Pt. 30	0.06	37-374 (1399908 Ontario Ltd.)	0.003
3	Pt. 30	0.07	37-372 (1399908 Ontario Ltd.)	0.003
3	Pt. 30	0.06	37-371 (1399908 Ontario Ltd.)	0.003
3	Pt. 30	0.06	37-370 (1399908 Ontario Ltd.)	0.003
3	Pt. 30	0.06	37-369 (1399908 Ontario Ltd.)	0.003
3	Pt. 30	0.06	37-556 (1399908 Ontario Ltd.)	0.002
3	Pt. 30	0.10	37-555 (1399908 Ontario Ltd.)	0.004
3	Pt. 30	0.07	37-554 (1399908 Ontario Ltd.)	0.003
3	Pt. 30	0.09	37-553 (1399908 Ontario Ltd.)	0.004
3	Pt. 30	0.09	37-552 (1399908 Ontario Ltd.)	0.004

SCHEDULE 'D' - ASSESSMENT FOR MAINTENANCE (cont'd)

BIEDERMAN DRAIN
City of Port Colborne

CON.	LOT	HECTARES AFFECTE	ROLL No. (OWNER)	PERCENTAGE OF MAINTENANCE COST
MAIN DRAIN (cont'd)				
City of Port Colborne				
<i>(Geographic Humberstone)</i>				
3	Pt. 30	0.06	37-551 (1399908 Ontario Ltd.)	0.003 %
3	Pt. 30	0.06	37-549 (1399908 Ontario Ltd.)	0.003
3	Pt. 30	0.08	37-548 (1399908 Ontario Ltd.)	0.004
3	Pt. 30	0.09	37-547 (1399908 Ontario Ltd.)	0.004
3	Pt. 30	0.08	37-546 (1399908 Ontario Ltd.)	0.004
3	Pt. 30	0.10	37-545 (1399908 Ontario Ltd.)	0.004
3	Pt. 30	0.06	37-544 (1399908 Ontario Ltd.)	0.003
3	Pt. 30	0.06	37-543 (1399908 Ontario Ltd.)	0.003
3	Pt. 30	0.06	37-542 (1399908 Ontario Ltd.)	0.003
3	Pt. 30	0.06	37-541 (1399908 Ontario Ltd.)	0.003
3	Pt. 30	0.06	37-540 (1399908 Ontario Ltd.)	0.003
3	Pt. 30	0.06	37-539 (1399908 Ontario Ltd.)	0.003
3	Pt. 30	12.80	37-103 (R. Rotella)	0.312
3	Pt. 30	5.75	37-135 (City of Port Colborne)	0.969
3	Pt. 30	3.10	37-130 (1784550 Ontario Inc.)	0.058
3	Pt. 30	1.06	37-140-20 (2843966 Ontario Inc.)	0.045
3	Pt. 30	1.59	37-140 (2440240 Ontario Inc.)	0.489
3	Pt. 30	0.46	37-140-10 (Van Jon Paving Ltd.)	0.020
3	Pt. 30	0.30	37-140-60 P. Wangler)	0.013
3	Pt. 31	3.35	38-238 (Elevate Fourth Developments Ltd.)	0.137
3	Pt. 31	5.11	38-237 (L. Sardella)	0.210
3	Pt. 31	20.90	38-265 (H. Wang)	1.757
3	Pt. 31	10.30	38-263 (OverGreen Hill Investment Ltd.)	0.398
3	Pt. 31	0.14	38-235-20 (N. Sergbese)	0.008
3	Pt. 31	0.14	38-236 (P. Collins)	0.008
3	Pt. 31	0.17	38-237-01 (D. Sardella)	0.010
3	Pt. 31	0.13	38-237-02 (G. Sardella)	0.008
3	Pt. 31	0.08	38-237-03 (D. Di Lorenzo)	0.005
3	Pt. 31	0.08	38-237-04 (L. Look)	0.005
3	Pt. 31	0.09	38-237-05 (P. Van Dyke)	0.006
3	Pt. 31	0.09	38-237-06 (K. Minor)	0.006
3	Pt. 31	0.08	38-237-07 (G. Hernandez)	0.005
3	Pt. 31	0.11	38-237-08 (J. Salvatore)	0.007
3	Pt. 31	0.08	38-237-10 (G. Brunette)	0.005
3	Pt. 31	0.08	38-237-12 (G. Rowe)	0.005
3	Pt. 31	0.08	38-237-14 (P. Masotti)	0.005
3	Pt. 31	0.08	38-237-16 (C. Burghgraef)	0.005
3	Pt. 31	0.40	38-238-05 (J. Rapattoni)	0.025
3	Pt. 32	20.90	38-264 (FAY Farms Trucking & Excavation Inc.)	1.324
3	Pt. 32	2.70	38-264-05 (K. Kendell)	0.347
3	Pt. 32	2.69	38-264-06 (S. Kendell)	0.357
3	Pt. 32	2.69	38-264-07 (K. Kendell)	0.070

SCHEDULE 'D' - ASSESSMENT FOR MAINTENANCE (cont'd)

BIEDERMAN DRAIN
City of Port Colborne

CON.	LOT	HECTARES AFFECTE	ROLL No. (OWNER)	PERCENTAGE OF MAINTENANCE COST
------	-----	---------------------	------------------	-----------------------------------

MAIN DRAIN (cont'd)**City of Port Colborne***(Geographic Humberstone)*

3	Pt. 32	2.69	38-264-08 (S. Kendell)	0.090 %
3	Pt. 32	1.89	38-239-05 (C. Hogg)	0.073
3	Pt. 32	1.00	38-240 (D. Thomas)	0.036
3	Pt. 32	0.54	38-241 (J. Beaudry)	0.016
3	Pt. 32	0.11	38-242-01 (R. Caron)	0.007
3	Pt. 32	0.39	38-239 (F. Hicks)	0.025
3	Pt. 32	1.04	38-239-04 (P. Karastamatis)	0.039
3	Pt. 32	1.04	38-239-03 (B. Haynes)	0.036
3	Pt. 32	2.04	38-239-02 (K. Kendell)	0.086
3	Pt. 32	1.62	38-239-01 (P. Macintyre)	0.068
3	31, 32 & 33	41.60	38-286 (Infrastructure Ontario)	0.757
3	Pt. 33	23.40	38-285 (FAY Farms Trucking & Excavation Inc.)	0.548
3	Pt. 33	2.74	38-245 (G. Adair)	0.381
3	Pt. 33	1.11	38-244 (M. Lamontagne)	0.146
3	Pt. 33	2.30	38-242 (G. Adair)	0.051
3	Pt. 33	8.83	38-243 (T. Rodrigue)	1.022
3	Pt. 33	1.62	38-243-06 (J. Adair)	0.177
3	Pt. 33	1.62	38-243-05 (J. Putman)	0.057
4	28	45.70	39-147 (Niagara Peninsula Conservation Authorit	0.185
4	28	17.50	39-147-75 (Niagara Peninsula Conservation Auth	0.071
4	28	0.18	39-149 (C. Wurfel)	0.003
4	29 & 30	33.70	39-151 (E. Barevich)	0.481
4	29 & 30	34.00	39-152 (C. Lewis)	0.451
4	29	0.80	39-153 (C. Lewis)	0.012
4	29	4.71	39-152-05 (C. Lewis)	0.069
4	29	4.55	39-151-01 (E. Barevich)	0.066
4	31	37.50	39-170 (J. Li)	0.483
4	31	4.00	39-174 (B. White)	0.029
4	31	6.90	39-171 (Macron Industries Corporation)	0.101
4	31	1.23	39-170-01 (2466739 Ontario Inc.)	0.018
4	31	1.08	39-169 (D. Kolacz)	0.016
4	31	2.98	39-168 (C. Gravel-Willie)	0.043

SCHEDULE 'D' - ASSESSMENT FOR MAINTENANCE (cont'd)

BIEDERMAN DRAIN
City of Port Colborne

CON.	LOT	HECTARES AFFECTE	ROLL No. (OWNER)	PERCENTAGE OF MAINTENANCE COST
------	-----	---------------------	------------------	-----------------------------------

MAIN DRAIN (cont'd)**City of Port Colborne***(Geographic Humberstone)*

4	32	48.20	39-175 (Triple G Farms Inc.)	0.687 %
4	32	18.60	39-177 (Triple G Farms Inc.)	0.272
4	32	14.80	39-181-01 (R. Groszeibl)	0.108
4	32	1.86	38-287-01 (R. Groszeibl)	0.014
4	32	1.86	38-287-02 (Triple G Farms Inc.)	0.014
4	33	66.30	39-178 (Triple G Farms Inc.)	0.970
4	33	0.80	39-180 (W. Johnston)	0.012
4	33	2.48	39-181 (J. Sardo)	0.036
4	33	3.75	38-287 (Triple G Farms Inc.)	0.055

TOTAL ASSESSMENT ON LANDS

20.432 %

Elm Street	7.40	City of Port Colborne	0.293 %
Highway 58	15.50	Ministry of Transportation Ontario	1.869
Lot 32/33 Unopened	7.80	City of Port Colborne	0.382
Townline Road (50%)	9.70	City of Port Colborne	0.454
Con. 3/4 Unopened	8.00	City of Port Colborne	3.396
Invertose Drive	2.00	City of Port Colborne	0.003
Stonebridge Drive	2.30	City of Port Colborne	0.245
Barrick Road	2.60	City of Port Colborne	0.361
Westfield Place	0.30	City of Port Colborne	0.008
Parkside Drive	1.09	City of Port Colborne	0.030
Aintree Place	0.16	City of Port Colborne	0.005
Sherwood Drive	0.91	City of Port Colborne	0.025
Meadowlark Drive	1.03	City of Port Colborne	0.029
Springside Drive	0.84	City of Port Colborne	0.023
Saturn Road	0.47	City of Port Colborne	0.013
Apollo Drive	0.51	City of Port Colborne	0.014
Oriole Crescent	0.64	City of Port Colborne	0.018
Hillcrest Road	0.71	City of Port Colborne	0.020
Runnymede Road	0.88	City of Port Colborne	0.024
Thorncrest Road	0.99	City of Port Colborne	0.028
Petersburg Circle	0.38	City of Port Colborne	0.011
Humberstone Crescent	0.44	City of Port Colborne	0.012
Oxford Boulevard	0.45	City of Port Colborne	0.013

TOTAL ASSESSMENT ON ROADS

7.276 %

TOTAL ASSESSMENT FOR MAINTENANCE IN THE CITY OF PORT COLBORNE**27.708 %**

SCHEDULE 'D' - ASSESSMENT FOR MAINTENANCE (cont'd)

BIEDERMAN DRAIN
City of Port Colborne

CON.	LOT	HECTARES AFFECTE	ROLL No. (OWNER)	PERCENTAGE OF MAINTENANCE COST
MAIN DRAIN (cont'd)				
City of Welland				
<i>(Geographic Humberstone)</i>				
2	Pt. 33	8.50	2-075 (Triple G. Farms Inc.)	0.118 %
				=====
TOTAL ASSESSMENT ON LANDS				0.118 %
				=====
Townline Road (50%)		0.20	City of Welland	0.039 %
				=====
TOTAL ASSESSMENT ON ROADS				0.039 %
				=====
TOTAL ASSESSMENT FOR MAINTENANCE IN THE CITY OF WELLAND				0.157 %

Township of Wainfleet

2	Pt. 1	10.80	1-250-50 (A. Dilorenzo Secord & N. Secord)	0.331 %
2	1 & 2	70.10	1-250 (Lowland Farms Limited)	3.685
2	Pt. 2	2.20	1-254 (E. Robbins)	0.091
2	Pt. 3	5.21	1-263 (N.P.C.A.)	0.197
2	Pt. 3	4.80	1-262 (R. & C. Ethier)	0.149
2	Pt. 3	5.06	1-260-01 (A. Tedesco)	0.157
2	Pt. 3	5.06	1-260 (J. Nasato)	0.157
2	Pt. 3	4.18	1-259-10 (Waterford Sand & Gravel Ltd.)	0.150
2	3 & 4	20.00	1-261 (Lowland Farms Ltd.)	1.011
2	Pt. 4	19.20	1-261-02 (Lowland Farms)	5.997
2	Pt. 4	1.00	1-261-04 (T. Lauricella & D. Sabo)	0.138
2	4 & 5	32.70	1-264 (Waterford Sand & Gravel Ltd.)	4.943
2	Pt. 6	44.50	2-255 (Paul Cameron Holdings Inc.)	7.281
2	Pt. 6	5.44	2-255-02 (Erie Tracker Outfitters Ltd.)	1.119
2	Pt. 6	7.06	2-250 (Waterford Sand & Gravel Ltd.)	0.958
2	Pt. 6	0.20	2-253 (J. & A. Lelay)	0.035
2	Pt. 6	0.81	2-255-01 (Waterford Sand & Gravel Ltd.)	0.140
2	Pt. 7	14.20	2-262 (Waterford Sand & Gravel Ltd.)	2.003
3	Pt. 1	1.90	7-001 (FAY Farms Trucking & Excavation Inc.)	0.050
3	1, 2 & 3	91.00	7-001-01 (Management Board Secretariat)	3.245
3	1-6 & 7	378.00	7-002 (Niagara Peninsula Conservation Authority)	30.422
4	Pt. 1	40.30	7-032 (Bestholme Farms Inc.)	0.512
4	Pt. 1	8.10	7-030 (M. & N. Petrusic)	0.059
4	Pt. 1	0.32	7-031 (R. Scott)	0.005
4	Pt. 1	1.75	7-029-02 (J. & D. Dobrindt)	0.026
4	Pt. 1	0.81	7-029-01 (D. Hardman & L. Pasto)	0.012
4	Pt. 2	16.90	7-035 (G. Patri)	0.246

SCHEDULE 'D' - ASSESSMENT FOR MAINTENANCE (cont'd)

BIEDERMAN DRAIN
City of Port Colborne

CON.	LOT	HECTARES AFFECTE	ROLL No. (OWNER)	PERCENTAGE OF MAINTENANCE COST
MAIN DRAIN (cont'd)				
Township of Wainfleet				
4	Pt. 2	1.00	7-034-01 (1816601 Ontario)	0.014 %
4	Pt. 2	0.52	7-034-04 (T. & C. Pahowski)	0.007
4	Pt. 2	25.70	7-033 (Triple G Farms Ltd.)	0.375
4	Pt. 2	0.86	7-033-10 (G. Brown & A. Suters)	0.013
4	Pt. 2	4.20	7-029 (N. D'Aurizio)	0.061
4	Pt. 3	9.20	7-036 (P. Martino)	0.134
				=====
TOTAL ASSESSMENT ON LANDS				63.723 %
				=====
Townline Road (50%)		0.20	Township of Wainfleet	0.183 %
Youngs Road		2.10	Township of Wainfleet	1.251
Lot 1/2 Unopened		5.80	Township of Wainfleet	1.235
Lot 3/4 Unopened		3.20	Township of Wainfleet	0.732
Erie Peat Road		3.00	Township of Wainfleet	1.795
Biederman Road		5.80	Township of Wainfleet	1.251
Lot 7/8 Unopened		3.50	Township of Wainfleet	0.698
Con. 2/3 Unopened		5.80	Township of Wainfleet	1.267
				=====
TOTAL ASSESSMENT ON ROADS				8.412 %
				=====
TOTAL ASSESSMENT FOR MAINTENANCE IN TOWNSHIP OF WAINFLEET				72.135 %
				=====
TOTAL ASSESSMENT FOR MAINTENANCE ON THE MAIN DRIAN				100.000 %
				=====

SCHEDULE 'D' - ASSESSMENT FOR MAINTENANCE (cont'd)

**BIEDERMAN DRAIN
City of Port Colborne**

CON.	LOT	HECTARES AFFECTE	ROLL No. (OWNER)	PERCENTAGE OF MAINTENANCE COST
------	-----	---------------------	------------------	-----------------------------------

SUGAR BRANCH**City of Port Colborne**

3	Pt. 28	3.50	37-092 (City of Port Colborne)	21.000 %
3	Pt. 28	12.80	37-091-03 (Jungbunzlauer Canada Inc.)	15.100
3	Pt. 28	63.50	37-091 (Jungbunzlauer Canada Inc.)	42.900
3	Pt. 28	1.58	37-091-04 (Canerector Properties Inc)	2.700
3	Pt. 28	1.81	37-091-06 (1814164 Ontario Inc.)	3.100
3	Pt. 28	1.58	37-091-08 (1150617 Ontario Inc.)	2.700
3	Pt. 28	1.27	37-091-10 (Trimac Transportation Services Inc.)	2.100

TOTAL ASSESSMENT ON LANDS				89.600 %
---------------------------	--	--	--	----------

Invertose Drive	2.00	City of Port Colborne		10.400
-----------------	------	-----------------------	--	--------

TOTAL ASSESSMENT ON ROADS				10.400 %
---------------------------	--	--	--	----------

TOTAL ASSESSMENT FOR MAINTENANCE ON SUGAR BRANCH				100.000 %
---	--	--	--	------------------

BRANCH "A"**City of Port Colborne**

2	Pt. 33	18.20	38-271 (S. Kilty)	34.500 %
2	Pt. 33	1.63	38-271-10 (M. Yallin)	4.800
3	Pt. 33	0.30	38-244 (M. Lamontagne)	0.700
3	Pt. 33	0.90	38-243 (T. Rodrigue)	1.300
3	Pt. 33	1.00	38-243-06 (J. Adair)	34.800
3	Pt. 33	1.62	38-243-05 (J. Putman)	1.900

TOTAL ASSESSMENT ON LANDS				78.000 %
---------------------------	--	--	--	----------

Barrick Road	0.85	Township of Wainfleet		22.000
--------------	------	-----------------------	--	--------

TOTAL ASSESSMENT ON ROADS				22.000 %
---------------------------	--	--	--	----------

TOTAL ASSESSMENT FOR MAINTENANCE ON BRANCH "A"				100.000 %
---	--	--	--	------------------

SCHEDULE 'D' - ASSESSMENT FOR MAINTENANCE (cont'd)

**BIEDERMAN DRAIN
City of Port Colborne**

CON.	LOT	HECTARES AFFECTE	ROLL No. (OWNER)	PERCENTAGE OF MAINTENANCE COST
BRANCH "B"				
Township of Wainfleet				
2	Pt. 1	10.80	1-250-50 (A. Dilorenzo Secord & N. Secord)	3.800 %
2	1 &	70.10	1-250 (Lowland Farms Limited)	44.700
2	Pt. 2	2.20	1-254 (E. Robbins)	0.800
2	Pt. 3	4.08	1-263 (N.P.C.A.)	1.100
2	Pt. 3	4.80	1-262 (R. & C. Ethier)	1.300
2	Pt. 3	20.00	1-261 (Lowland Farms Ltd.)	9.100
2	Pt. 3	5.06	1-260-01 (A. Tedesco)	1.400
2	Pt. 3	5.06	1-260 (J. Nasato)	1.400
2	Pt. 3	4.18	1-259-10 (Waterford Sand & Gravel Ltd.)	1.400
3	Pt. 1	0.10	7-001 (FAY Farms Trucking & Excavation Inc.)	29.000
TOTAL ASSESSMENT ON LANDS				94.000 %
Townline Road (50%)		1.10	Township of Wainfleet	1.800
Erie Peat Road		1.40	Township of Wainfleet	2.300
Con. 2/3 Unopened		1.10	Township of Wainfleet	1.900
TOTAL ASSESSMENT ON ROADS				6.000 %
TOTAL ASSESSMENT FOR MAINTENANCE ON BRANCH "A"				100.000 %

**SPECIFICATIONS FOR CONSTRUCTION
OF
MUNICIPAL DRAINAGE WORKS**

G E N E R A L I N D E X

SECTION A	General Work	Pages 1 to 6
SECTION B	Open Drain	Pages 7 to 9
SECTION C	Tile Drain	Pages 10 to 15
STANDARD DETAILED DRAWINGS		SDD-01 to SDD-05



SECTION A - GENERAL WORK

INDEX

<u>SECTION NUMBER</u>	<u>PAGE NO.</u>
A.1 COMMENCEMENT AND COMPLETION OF WORK.....	1
A.2 WORKING AREA AND ACCESS.....	1
A.3 ROAD CROSSINGS.....	1
A.4 SURPLUS EXCAVATED MATERIAL AND GRAVEL.....	3
A.5 FENCES.....	3
A.6 LIVESTOCK.....	4
A.7 STANDING CROPS.....	4
A.8 RAILWAYS, HIGHWAYS, UTILITIES.....	4
A.9 LOCATION OF UTILITIES.....	4
A.10 IRON BARS.....	4
A.11 STAKES.....	4
A.12 RIP-RAP.....	5
A.13 GABION BASKETS.....	5
A.14 RESTORATION OF LAWNS.....	5
A.15 RESTORATION OF ROADS AND LANEWAYS.....	6

SECTION A

GENERAL WORK

A.1 COMMENCEMENT AND COMPLETION OF WORK

The work must commence immediately after the Contractor is notified of the acceptance of his tender or at a later date, if set out as a condition of the tender. If weather creates poor ground or working conditions the Contractor may be required, at the discretion of the Engineer, to postpone or halt work until conditions become acceptable.

As noted on the drawn, the contractor must first arrange for a preconstruction meeting to be held on the site with the Contractor and affected owners attending to review in detail the construction scheduling, access and other pertinent details. The Contractor's costs for attending this meeting shall be included in his lump sum tender price. If the Contractor leaves the job site for a period of time after initiation of work, he shall give the Engineer and the Superintendent a minimum of twenty-four (24) hours' notice prior to returning to the project.

The work must be proceeded with in such a manner as to ensure its completion at the earliest possible date and within the time limit set out in the tender or in the contract documents.

A.2 WORKING AREA AND ACCESS

The working area available to the Contractor to construct the drain and related works including an access route to the drain shall be as specified on the drawings.

Should the specified widths become inadequate due to unusual conditions, the Contractor shall notify the Engineer immediately in order that negotiations with the affected owners can take place.

Where a Contractor exceeds the specified widths due to the nature of his operations and without authorization, he shall be held responsible for the costs of all additional damages and the amount shall be deducted from his contract price and paid to the affected owners by the Municipality.

A.3 ROAD CROSSINGS

.1 General

- .1 **Scope**: These specifications apply to all road crossings - Municipal, County, Regional, or Highway Roads. Where the word "Authority" is used, it shall be deemed to apply to the appropriate owning authority. These specifications in no way limit the Authority's Specifications and Regulations governing the construction of drains on their Road Allowance. The Authority will supply no labour, equipment or materials for the construction of the road crossing unless otherwise noted on the drawings.
- .2 **Road Occupancy Permit**: Where applicable the Contractor must submit an Application for a Road Occupancy Permit to the Authority and allow a minimum of 5 working days (exclusive of holidays) for its review and issuance.
- .3 **Road Closure Request and Construction Notification**: The Contractor shall submit written notification of construction and request for road closure (if applicable) to the Road Authority/Public Works Manager and the Drainage Engineer or Superintendent for review and approval a minimum of five (5) working days (exclusive of holidays) prior to proceeding with any work on road allowance. It shall be the Road Authority's responsibility to notify all the applicable emergency services, schools, etc. of the road closure or construction taking place.
- .4 **Traffic Control**: Where the Contractor is permitted to close the road to through traffic, the Contractor shall provide for and adequately sign the detour route to the satisfaction of the Road Authority. Otherwise, the Contractor shall keep the road open to traffic at all times. The Contractor shall provide, for the supply, erection and maintenance, suitable warning signs and/or flagmen in accordance with the Manual of Uniform Traffic Control Devices and to the satisfaction of the Road Authority to notify the motorists of work on the road ahead.



A.3 **ROAD CROSSINGS** (cont'd)

- .5 **Site Meeting/Inspection**: A site meeting shall be held with the affected parties to review in detail the crossing and/or its related works. The Authority's Inspector and/or the Drainage Engineer will inspect the work while in progress to ensure that the work is done in strict accordance with the specifications.
- .6 **Weather**: No construction shall take place during inclement weather or periods of poor visibility.
- .7 **Equipment**: No construction material and/or equipment is to be left within 3 meters of the edge of pavement overnight or during periods of inclement weather.

.2 **Jacking and Boring**

- .1 **Material**: The bore pipe shall consist of new, smooth wall steel pipe, meeting the requirements of H20 loading for road crossings and E80 loading for railway crossings. The minimum size, wall thickness and length shall be as shown on the drawings. Where welding is required, the entire circumference of any joint shall be welded using currently accepted welding practices.
- .2 **Site Preparation and Excavation**: Where necessary, fences shall be carefully taken down as specified in the General Conditions. Prior to any excavation taking place, all areas which will be disturbed shall be stripped of topsoil. The topsoil is to be stockpiled in locations away from the bore operation, off the line of future tile placement and out of existing water runs or ditches. The bore pit shall be located at the upstream end of the bore unless otherwise specified or approved. Bore pits shall be kept back at least 1 meter from the edge of pavement and where bore pits are made in any portion of the shoulder, the excavated material shall be disposed of off the road allowance and the pit backfilled with thoroughly compacted Granular "A" for its entire depth.
- .3 **Installation**: The pipe shall be installed in specified line and grade by a combination of jacking and boring. Upon completion of the operations, both ends of the bore pipe shall be left uncovered until the elevation has been confirmed by the Engineer or Superintendent. The ends of the bore pipe shall be securely blocked off and the location marked by means of a stake extending from the pipe invert to 300mm above the surrounding ground surface.
- .4 **Unstable Soil or Rock**: The Contractor shall contact the Engineer immediately should unstable soil be encountered or if boulders of sufficient size and number to warrant concern are encountered. Any bore pipe partially installed shall be left in place until alternative methods or techniques are determined by the Engineer after consultation with the Contractor, the Superintendent and the owning authority.
- .5 **Tile Connections**: Prior to commencement of backfilling, all tile encountered in excavations shall be reconnected using material of a size comparable to the existing material. Where the excavation is below the tile grade, a compacted granular base is to be placed prior to laying the tile. Payment for each connection will be made at the rate outlined in the Form of Tender and Agreement.
- .6 **Backfill**: Unless otherwise specified, the area below the proposed grade shall be backfilled with a crushed stone bedding. Bore pits and excavations outside of the shoulder area may be backfilled with native material compacted to a density of 95% Standard Proctor. All disturbed areas shall be neatly shaped, have the topsoil replaced and hand seeded. Surplus material from the boring operation shall be removed from the site at the Contractor's expense.
- .7 **Restoration**: The entire affected area shall be shaped and graded to original lines and grades, the topsoil replaced, and the area seeded down at the rate of 85 kg/per ha. unless otherwise specified or in accordance with the M.T.O. Encroachment Permit. Fences shall be restored to their original condition in accordance with the General Conditions.
- .8 **Acceptance**: All work undertaken by the Contractor shall be to the satisfaction of the Engineer.



A.3 ROAD CROSSINGS (cont'd)

.3 Open Cut

- .1 Material: The culvert or sub-drain crossing pipe material shall be specified on the drawings.
- .2 Site Preparation and Excavation: Where necessary, fences shall be carefully taken down as specified in the general conditions. Prior to any excavation taking place, the areas which will be disturbed shall be stripped of topsoil. The topsoil is to be stockpiled in locations away from the construction area.
- .3 Installation: The pipe shall be installed using bedding and cover material in accordance with Standard Detailed Drawing No. 2 or detail provided on drawings.
- .4 Unstable Soil or Rock: The Contractor shall contact the Engineer immediately should unstable soil be encountered or if boulders of sufficient size and number to warrant concern are encountered.
- .5 Tile Connections: Prior to commencement of backfilling, all tiles encountered in excavations shall be reconnected using material of a size comparable to the existing material. Where the excavation is below the tile grade, a compacted granular base is to be placed prior to laying the tile. Payment for connections not shown on the drawings shall be an extra to the contract.
- .6 Backfill: Backfill from the top of the cover material up to the underside of road base shall meet the requirements for M.T.O. Granular "B". The backfill shall be placed in lifts not exceeding 300mm in thickness and each lift shall be thoroughly compacted to produce a density of 98% Standard Proctor. Granular "B" road base for County Roads and Highways shall be placed to a 450mm thickness and Granular "A" shall be placed to a thickness of 200mm, both meeting M.T.O. requirements. Granular road base materials shall be thoroughly compacted to produce a density of 100% Standard Proctor.

Where the road surface is paved, the Contractor shall be responsible for placing an HL-4 Hot Mix Asphalt patch of the same thickness as the existing pavement. The asphalt patch shall be flush with the existing roadway on each side and not overlap. If specified, the asphalt patch shall not be placed immediately over the road base and the Granular "A" shall be brought up flush with the existing asphalt and a liberal amount of calcium chloride shall be spread on the gravel surface. The asphalt patch must be completed within the time period set out on the drawing.

The excavated material from the trench beyond a point 2.5 meters from the travelled portion or beyond the outside edge of the gravel shoulder, may be used as backfill in the trench in the case of covered drains. This material should be compacted in layers not exceeding 600mm.

A.4 SURPLUS EXCAVATED MATERIAL AND GRAVEL

Excess excavated material from open cut installation through roads, railways, laneways and lawn/grass areas, shall be removed and disposed of off-site by the Contractor as part of their lump sum installation price. If as a result of any work, gravel or crushed stone is required and not all the gravel or crushed stone is used in the construction of the works, the Contractor shall haul away such surplus gravel or stone unless otherwise approved.

A.5 FENCES

No earth shall be placed against fences and all fences removed by the Contractor are to be replaced by him in as good condition as found. In general, the Contractor will not be allowed to cut existing fences but shall disconnect existing fences at the nearest anchor post or other such fixed joint and shall carefully roll it back out of the way. Where the distance to the closest anchor post or fixed joint exceeds 50 meters, the Contractor will be allowed to cut and splice in accordance with accepted methods and to the satisfaction of the owner and the Engineer or Superintendent. Where existing fences are deteriorated to the extent that existing materials are not salvageable for replacement, the Contractor shall notify the Engineer or the Superintendent prior to dismantling. Fences damaged beyond salvaging by the Contractor's negligence shall be replaced with new materials, similar to those existing, at the Contractor's expense. The replacement of the fences shall be done to the satisfaction of the owner and the Engineer or Superintendent. The site examination should indicate to the Contractor such work, if any, and an allowance should be made in the tendered price.

The Contractor shall not leave any fence open when he is not at work in the immediate vicinity.



A.6 **LIVESTOCK**

The Contractor shall provide each property owner with 48 hours' notice prior to removing any fences along fields which could possibly contain livestock. Thereafter, the property owner shall be responsible to keep all livestock clear of the construction areas until further notified. Where necessary, the Contractor will be directed to erect temporary fences. The Contractor shall be held responsible for loss or injury to livestock or damage caused by livestock, where the injury or damage is caused by his failure to notify the property owner or through negligence or carelessness on the part of the Contractor.

The Contractor constructing a tile drain shall not be held responsible for damages or injury to livestock occasioned by leaving trenches open for inspection by the Engineer if he notifies the owner at least 48 hours prior to commencement of the work on that portion. The Contractor will be held liable for such damages or injury if the backfilling of such trenches is delayed more than 1 day after acceptance by the Engineer.

A.7 **STANDING CROPS**

The Contractor shall not be held responsible for damages to standing crops within the working area available and the access route provided if he notifies the owner thereof at least 48 hours prior to commencement of the work on that portion.

A.8 **RAILWAYS, HIGHWAYS, UTILITIES**

A minimum of forty-eight (48) hours' notice to Railways, Highways and Utilities, exclusive of Saturdays, Sundays and Holidays, shall be required by the Contractor prior to any work being performed and in the case of a pipe being installed by open cutting or boring under a Highway or Railway, a minimum of 72 hours' notice is required.

A.9 **UTILITIES**

The attention of the Contractor is drawn to the presence of utilities along the course of the drain. The Contractor will be responsible for determining the location of all utilities and will be held liable for any damage to all utilities caused by his operations. The Contractor shall co-operate with all authorities to ensure that all utilities are protected from damage during the performance of the work. The cost of any necessary relocation work shall be borne by the utility. No allowance or claims of any nature will be allowed on account for delays or inconveniences due to utilities relocation, or for inconveniences and delays caused by working around or with existing utilities not relocated.

A.10 **IRON BARS**

The Contractor shall be held liable for the cost of an Ontario Land Surveyor to replace any iron bars destroyed during the course of construction.

A.11 **STAKES**

At the time of the survey, stakes are set along the course of the drain at intervals of 50 meters. The Contractor shall ensure that the stakes are not disturbed unless approval is obtained from the Engineer. Any stakes removed by the Contractor without the authority of the Engineer, shall be replaced at the expense of the Contractor. At the request of the Contractor, any stakes which are removed or disturbed by others or by livestock, shall be replaced at the expense of the drain.

A.12 RIP-RAP

Rip-rap shall be specified on the drawings and shall conform to the following:

- .1 **Quarry Stone:** shall range in size from 150mm to 300mm evenly distributed and shall be placed to a 300mm thickness on a filter blanket at a 1.5 to 1 slope unless otherwise noted. Filter blanket to be Mirafi 160N or approved equal.
- .2 **Broken Concrete:** may be used in areas outside of regular flows if first broken in maximum 450mm sized pieces and mixed to blend with quarry stone as above. No exposed reinforcing steel shall be permitted.
- .3 **Shot Rock:** shall range in size from 150mm to 600mm placed to a depth of 450mm thickness on a filter blanket at a 1.5:1 slope unless otherwise noted. Filter blanket to be Mirafi 160N or approved equal.

A.13 GABION BASKETS

Supply and install gabion basket rip-rap protection as shown on the drawings.

Gabion baskets shall be as manufactured by Maccaferri Gabions of Canada Ltd. or approved equal and shall be assembled and installed in strict accordance with the manufacturer's recommendations.

The gabion fill material shall consist solely of fractured field stone or gabion stone graded in size from 100mm to 200mm (4" to 8") and shall be free of undersized fragments and unsuitable material.

A.14 RESTORATION OF LAWNS

- .1 **General:** Areas noted on the drawings to be restored with seeding or sodding shall conform to this specification, and the Contractor shall allow for all costs in his lump sum bid for the following works.
- .2 **Topsoil:** Prior to excavation, the working area shall be stripped of existing topsoil. The topsoil stockpile shall be located so as to prevent contamination with material excavated from the trench. Upon completion of backfilling operations, topsoil shall be spread over the working area to a depth equal to that which previously existed but not less than the following:
 - Seeding and sodding - minimum depth of 100mm
 - Gardens - minimum depth of 300mm

In all cases where a shortfall of topsoil occurs, whether due to lack of sufficient original depth or rejection of stockpiled material due to Contractor's operations, imported topsoil from acceptable sources shall be imported at the Contractor's expense to provide the specified depths. Topsoil shall be uniformly spread, graded, and cultivated prior to seeding or sodding. All clods or lumps shall be pulverized, and any roots or foreign matter shall be raked up and removed as directed.

.3 Sodding

- .1 **Materials:** Nursery sod to be supplied by the Contractor shall meet the current requirements of the Ontario Sod Growers Association for No. 1 Bluegrass Fescue Sod.
- .2 **Fertilizer:** Prior to sod placement, approved fertilizer shall be spread at the rate of 5kg/100m² of surface area and shall be incorporated into such surfaces by raking, discing or harrowing. All surfaces on which sod is to be placed shall be loose at the time of placing sod to a depth of 25mm.
- .3 **Placing Sod:** Sod shall be laid lengthwise across the face of slopes with ends close together. Sod shall be counter sunk along the joints between the existing grade and the new sodding to allow for the free flow of water across the joint. Joints in adjacent rows shall be staggered and all joints shall be pounded and rolled to a uniform surface.

On slopes steeper than 3 to 1, and in unstable areas, the Engineer may direct the Contractor to stake sod and/or provide an approved mesh to prevent slippages. In all cases where such additional work is required, it will be deemed an extra to the contract and shall be paid for in accordance with the General Conditions. No sod shall be laid when frozen nor upon frozen ground nor under any other condition not favourable to the growth of the sod. Upon completion of sod laying the Contractor shall thoroughly soak the area with water to a depth of 50mm. Thereafter it will be the responsibility of the property owner to maintain the area in a manner so as to promote growth.

A.14 **RESTORATION OF LAWNS (cont'd)**

.4 **Seeding**: Seed to be supplied by the Contractor shall be "high quality grass seed" harvested during the previous year, and shall be supplied to the project in the supplier's original bags on which a tag setting out the following information is affixed:

- Year or Harvest - recommended rate of application
- Type of Mixture - fertilizer requirements

Placement of seed shall be by means of an approved mechanical spreader. All areas on which seed is to be placed shall be loose at the time of placing seed, to a depth of 25mm. Seed and fertilizer shall be spread in accordance with the supplier's recommendations unless otherwise directed by the Engineer. Thereafter it will be the responsibility of the property owner to maintain the area in a manner so as to promote growth.

.5 **Settlement**: The Contractor shall be responsible during the one-year guarantee period for the necessary repair of restored areas due to trench settlement. Areas where settlement does not exceed 50mm may be repaired by top dressing with fine topsoil. In areas where settlement exceeds 50mm, the Contractor will be required to backfill the area with topsoil and restore with seeding and/or sodding as originally specified.

A.15 **RESTORATION OF ROADS AND LANEWAYS**

.1 **Gravel**: Restoration shall be in accordance with the applicable standard detailed drawing or as shown on the drawings.

.2 **Asphalt and Tar and Chip**: Prior to restoration all joints shall be neatly sawcut. Restoration shall be as a in gravel above with the addition of the following:

- .1 Roads shall have the finished grade of Granular 'A', allow two courses of hot-mix asphalt (M.T.O. 310), 80mm HL6 and 40mm HL3 or to such greater thickness as may be required to match the existing.
- .2 Laneways shall have the finished grade of Granular 'A' allow one 50mm minimum course of hot-mix asphalt (HL3) or greater as may be required to match existing.

SECTION B - OPEN DRAIN

INDEX

<u>SECTION NUMBER</u>		<u>PAGE NO.</u>
B.1	PROFILE.....	7
B.2	ALIGNMENT.....	7
B.3	CLEARING AND GRUBBING.....	7
B.4	EXCAVATION.....	7
B.5	EXCAVATED MATERIAL.....	7
B.6	EXCAVATION THROUGH BRIDGES AND CULVERTS.....	8
B.7	PIPE CULVERT.....	8
B.8	MOVING DRAINS OFF ROADS.....	8
B.9	TRIBUTARY OUTLETS.....	8
B.10	SEDIMENT BASINS AND TRAPS.....	9
B.11	SEEDING.....	9

SECTION B

OPEN DRAIN

B.1 PROFILE

The profile drawing shows the depth of cuts from the ground beside the stake to the final invert of the ditch in meters and decimals of a meter and also the approximate depth of cuts from the existing bottom of the ditch to the elevation of the ditch bottom. These cuts are established for the convenience of the Contractor; however, benchmarks will govern the final elevation of the drain. Benchmarks have been established along the course of the drain and their locations and elevations are noted on the profile drawing. A uniform grade shall be maintained between stakes in accordance with the profile drawing.

B.2 ALIGNMENT

The drain shall be constructed in a straight line and shall follow the course of the present drain or water run unless otherwise noted on the drawings. Where it is necessary to straighten any bends or irregularities in alignment not noted on the drawings, the Contractor shall contact the Engineer or Superintendent before commencing the work.

B.3 CLEARING AND GRUBBING

Prior to commencement of work, all trees, scrub, fallen timber and debris shall be removed from the side slopes of the ditch and for such a distance on the working side so as to eliminate any interference with the construction of the drain or the spreading of the spoil. The side slopes shall be neatly cut and cleared flush with slope whether or not they are affected directly by the excavation. With the exception of large stumps causing damage to the drain, the side slope shall not be grubbed. All other cleared areas shall be grubbed and the stumps put into piles for disposal by the owner.

All trees or limbs 150mm (6") or larger, that it is necessary to remove, shall be considered as logs and shall be cut and trimmed, and left in the working width separate from the brush, for use or disposal by the owner. Trees or limbs less than 150mm in diameter shall be cut in lengths not greater than 5 meters and placed in separate piles with stumps spaced not less than 75 meters apart in the working width, for the use or disposal of the owner. In all cases, these piles shall be placed clear of excavated materials, and not be piled against standing trees. No windrowing will be permitted. The clearing and grubbing and construction of the drain are to be carried out in two separate operations and not simultaneously at the same location.

B.4 EXCAVATION

The bottom width and the side slopes of the ditch shall be those shown on the profile drawing.

Unless otherwise specified on the drawings, only the existing ditch bottom is to be cleaned out and the side slopes are not to be disturbed. Where existing side slopes become unstable because of construction, the Contractor shall immediately contact the Engineer or Superintendent. Alternative methods of construction and/or methods of protection will then be determined, prior to continuing the work.

Where an existing drain is being relocated or where a new drain is being constructed, the Contractor shall, unless otherwise specified, strip the topsoil for the full width of the drain, including the location of the spoil pile. Upon completion of levelling, the topsoil shall be spread to an even depth across the full width of the spoil.

B.5 EXCAVATED MATERIAL

Excavated material shall be deposited on either or both sides of the drain as indicated on the drawings or as directed by the Engineer or Superintendent. A buffer strip of not less than 3 meters in width through farmed lands and 2 meters in width through bush areas shall be left along the top edges of the drain. The buffer strip shall be seeded and/or incorporated as specified on the drawings. The material shall be deposited beyond the specified buffer strip.



B.5 EXCAVATED MATERIAL (cont'd)

No excavated material shall be placed in tributary drains, depressions, or low areas which direct water into the ditch so that water will be trapped behind the spoil bank. The excavated material shall be placed and levelled to a minimum width to depth ratio of 50 to 1 unless instructed otherwise. The edge of the spoil bank away from the ditch shall be feathered down to the existing ground; the edge of the spoil bank nearest the ditch shall have a maximum slope of 2 to 1. The material shall be levelled such that it may be cultivated with ordinary farm equipment without causing undue hardship on machinery and personnel. No excavated material shall cover any logs, scrub, debris, etc. of any kind.

Where it is necessary to straighten any unnecessary bends or irregularities in the alignment of the ditch, the excavated material from the new cut shall be used for backfilling the original ditch. Regardless of the distance between the new ditch and the old ditch no extra compensation will be allowed for this work and must be included in the Contractor's lump sum price for the open work.

Any stones 150mm or larger left exposed on top of the levelled excavated material shall be removed and disposed of as an extra to the contract unless otherwise noted on plans.

B.6 EXCAVATION THROUGH BRIDGES AND CULVERTS

The Contractor shall excavate the drain to the full specified depth and width under all bridges. Where the bridge or culvert pipe is located within a road allowance, the excavated material shall be levelled within the road allowance. Care shall be taken not to adversely affect existing drainage patterns. Temporary bridges may be carefully removed and left on the bank of the drain but shall be replaced by the Contractor when the excavation is completed unless otherwise specified. Permanent bridges must be left intact. All necessary care and precautions shall be taken to protect the structure. The Contractor shall notify the Engineer or Superintendent if excavation may cause the structure to undermine or collapse.

B.7 PIPE CULVERTS

Where specified on the drawings, the existing culvert shall be carefully removed, salvaged and either left at the site for the owner or reinstalled at a new grade or location. The value of any damage caused to the culvert due to the Contractor's negligence in salvage operation will be determined and deducted from the contract price.

All pipe culverts shall be installed in accordance with the standard detail drawings as noted on the drawings. If couplers are required, 5 corrugation couplers shall be used for up to and including 1200mm dia. pipe and 10 corrugation couplers for greater than 1200mm dia.

B.8 MOVING DRAINS OFF ROADS

Where an open drain is being removed from a road allowance, it must be reconstructed wholly on the adjacent lands with a minimum distance of 2.0 meters between the property line and the top of the bank, unless otherwise noted on the drawings. The excavated material shall be used to fill the existing open ditch and any excess excavated material shall be placed and levelled on the adjacent lands beyond the buffer strip, unless otherwise noted. Any work done on the road allowance, with respect to excavation, disposal of materials, installation of culverts, cleaning under bridges, etc., shall be to the satisfaction of the Road Authority and the Engineer.

B.9 TRIBUTARY OUTLETS

The Contractor shall guard against damaging the outlets of tributary drains. Prior to commencement of excavation on each property the Contractor shall contact the owner and request that all known outlet pipes be marked by the owner. All outlets so marked or visible or as noted on the profile, and subsequently damaged by the Contractor's operations will be repaired by the Contractor at his cost. All outlet pipes repaired by the Contractor under direction of the Drainage Superintendent or Engineer which were not part of the Contract shall be considered an extra to the contract price.

B.10 SEDIMENT BASINS AND TRAPS

The Contractor shall excavate sediment basins prior to commencement of upstream work as shown on the plan and profile. The dimension of the basin will be in a parabolic shape with a depth of 450mm below the proposed ditch bottom and the basin will extend along the drain for a minimum length of 15 meters.

A sediment trap 300mm deep and 5 meters long with silt fence placed across ditch bottom on the downstream end of the trap shall be constructed prior to and maintained during construction, to prevent silt from flushing downstream. The silt fence shall be removed and disposed of after construction.

B.11 SEEDING

- .1 **Delivery:** The materials shall be delivered to the site in the original unopened containers which shall bear the vendor's guarantee of analysis and seed will have a tag showing the year of harvest.
- .2 **Hydro Seeding:** Areas specified on drawings shall be hydro seeded and mulched upon completion of construction in accordance with O.P.S.S. 572 and with the following application rates:

Primary Seed (85 kg/ha.):	50% Creeping Red Fescue 40% Perennial Ryegrass 5% White Clover
Nurse Crop	Italian (Annual) Ryegrass at 25% of Total Weight
Fertilizer (300 kg/ha.)	8-32-16
Hydraulic Mulch (2000 kg/ha.)	Type "B"
Water (52,700 litres/ha.)	

Seeding shall not be completed after September 30.

- .3 **Hand Seeding:** Hand seeding shall be completed daily with the seed mixture and fertilizer and application rate shown under "Hydro Seeding" above. Placement of the seed shall be by means of an approved mechanical spreader. Seeding shall not be completed after September 30.



SECTION C - TILE DRAIN

INDEX

<u>SECTION NUMBER</u>	<u>PAGE NO.</u>
C.1 PIPE MATERIALS.....	10
C.2 TESTING.....	10
C.3 LINE.....	10
C.4 CLEARING AND GRUBBING.....	11
C.5 PROFILE.....	11
C.6 GRADE.....	11
C.7 EXCAVATION.....	11
C.8 INSTALLATION.....	12
C.9 ROAD AND LANEWAY SUB-SURFACE CROSSINGS.....	12
C.10 BACKFILLING.....	13
C.11 UNSTABLE SOIL.....	13
C.12 ROCKS.....	13
C.13 BROKEN, DAMAGED, OR EXCESS TILE.....	13
C.14 TRIBUTARY DRAINS.....	13
C.15 OUTLET PIPES.....	14
C.16 CATCHBASINS AND JUNCTION BOXES.....	14
C.17 BLIND INLETS.....	15
C.18 GRASSED WATERWAY.....	15
C.19 BACKFILLING EXISTING DITCHES.....	15
C.20 RECOMMENDED PRACTICE FOR CONSTRUCTION OF SUBSURFACE DRAINAGE SYSTEM.....	15

SECTION C

TILE DRAIN

C.1 PIPE MATERIALS

- .1 **Concrete Tile:** All tile installed under these specifications shall be sound and of first quality and shall meet all A.S.T.M. Specifications current at the time of tendering. Concrete tile shall conform to Designation C412 "Extra Quality" except that the minimum compression strengths shall be increased by 25%. Heavy Duty tile shall conform to Designation C412 "Heavy Duty Extra Quality".
- .2 **Corrugated Steel Pipe:** Unless otherwise specified, all metal pipe shall be corrugated, riveted steel pipe or helical corrugated steel pipe with a minimum wall thickness of 1.6mm (16 gauge) and shall be fully galvanized.
- .3 **Plastic Tubing:** The plans will specify the type of tubing or pipe, such as non-perforated or perforated (with or without filter material).
 - i) Corrugated Plastic Drainage Tubing shall conform to the current O.F.D.A. Standards
 - ii) Heavy Duty Corrugated Plastic Pipe shall be "Boss 1000" manufactured by the Big 'O' Drain Tile Co. Ltd. or approved equal
- .4 **Concrete Sewer Pipe:** The Designations for concrete sewer pipe shall be C14 for concrete sewer pipe 450mm (18") diameter or less; and C76 for concrete sewer pipe greater than 450mm (18") diameter. Where closed joints are specified, joints shall conform to the A.S.T.M. Specification C443.

Where concrete sewer pipe "seconds" are permitted the pipe should exhibit no damages or cracks on the barrel section and shall be capable of satisfying the crushing strength requirements for No.1, Pipe Specifications (C14 or C76). The pipe may contain cracks or chips in the bell or spigot which could be serious enough to prevent the use of rubber gaskets, but which are not so severe that the joint could not be mortared conventionally.
- .5 **Plastic Sewer Pipe:** The plans will specify the type of sewer pipe, such as non-perforated or perforated (with or without filter material). All plastic sewer pipe and fittings shall be "Boss Poly-Tite", ULTRA-RIB", "Challenger 3000" or approved equal with a minimum stiffness of 320 kpa at 5% deflection.
- .6 **Plastic Fittings:** All plastic fittings shall be "Boss 2000" or "Challenger 2000" with split coupler joints or approved equal.

C.2 TESTING

The manufacturer shall provide specimens for testing if required. The random selection and testing procedures would follow the appropriate A.S.T.M. requirements for the material being supplied. The only variation is the number of tiles tested: 200mm to 525mm dia. - 5 tile tested, 600mm to 900mm dia. - 3 tile tested. The drain will be responsible for all testing costs for successful test results. Where specimens fail to meet the minimum test requirements, the manufacturer will be responsible for the costs of the unsuccessful tests. Alternately, the Engineer may accept materials on the basis of visual inspections and the receipt in writing from the Manufacturer of the results of daily production testing carried out by the Manufacturer for the types and sizes of the material being supplied.

C.3 LINE

Prior to stringing the tile, the Contractor shall contact the Superintendent or the Engineer in order to establish the course of the drain.

Where an existing drain is to be removed and replaced in the same trench by the new drain or where the new drain is to be installed parallel to an existing drain, the Contractor shall excavate test holes to locate the existing drain (including repairing drainage tile) at intervals along the course of the drain as directed by the Engineer and/or the Superintendent. The costs for this work shall be included in the tender price.

Where an existing drain is to be removed and replaced in the same trench by the new drain, all existing tiles shall be destroyed, and all broken tile shall be disposed of offsite.



C.3 LINE (cont'd)

The drain shall run in as straight a line as possible throughout its length, except that at intersections of other water courses or at sharp corners, it shall run on a curve of at least a 15-meter radius. The new tile drain shall be constructed at an offset from and generally parallel with any ditch or defined watercourse in order that fresh backfill in the trench will not be eroded by the flow of surface water. The Contractor shall exercise care not to disturb any existing tile drain or drains which parallel the course of the new drain, particularly where the new and the existing tile act together to provide the necessary capacity.

C.4 CLEARING AND GRUBBING

Prior to commencement of drain construction, all trees, scrub, fallen timber and debris shall be cleared and grubbed from the working area. Unless otherwise specified, the minimum width to be cleared and grubbed shall be 20 meters in all hardwood areas and 30 meters in all softwood areas (willow, poplar, etc.), the width being centred on the line of the drain.

All trees or limbs 150mm (6") or larger, that it is necessary to remove, shall be considered as logs and shall be cut and trimmed, and left in the working width separate from the brush, for use or disposal by the owner. Trees or limbs less than 150mm in diameter shall be cut in lengths not greater than 5 meters and placed in separate piles with stumps spaced not less than 75 meters apart in the working width, for the use or disposal of the owner. In all cases, these piles shall be placed clear of excavated materials, and not be piled against standing trees. No windrowing will be permitted. The clearing and grubbing and construction of the drain are to be carried out in two separate operations and not simultaneously at the same location.

C.5 PROFILE

The profile drawing shows the depth of cuts from the ground beside the stake to the final invert of the drain in meters and decimals of a meter. These cuts are established for the convenience of the Contractor; however, benchmarks will govern the final elevation of the drain. Benchmarks have been established along the course of the drain and their locations and elevations are noted on the profile drawing.

C.6 GRADE

The Contractor shall provide and maintain in good working condition, an approved system of establishing a grade sight line to ensure the completed works conform to the profile drawing. In order to confirm the condition of his system and to eliminate the possibility of minor errors on the drawings, he shall ensure his grade sight line has been confirmed to be correct between a minimum of two control points (bench marks) and shall spot check the actual cuts and compare with the plan cuts prior to commencement of tile installation. He shall continue this procedure from control point to control point as construction of the drain progresses. When installing a drain towards a fixed point such as a bore pipe, the Contractor shall uncover the pipe and confirm the elevation, using the sight line, a sufficient distance away from the pipe in order to allow for any necessary minor grade adjustments to be made in order to conform to the as built elevation of the bore pipe. All tile improperly installed due to the Contractor not following these procedures shall be removed and replaced entirely at the Contractor's cost.

When following the procedures and a significant variation is found, the Contractor shall immediately cease operations and advise the Engineer.

C.7 EXCAVATION

- .1 **Trench:** Unless otherwise specified, all trenching shall be done with a recognized farm tiling machine approved by the Engineer or Superintendent. The machine shall shape the bottom of the trench to conform to the outside diameter of the pipe for a minimum width of one-half of the outside diameter. The minimum trench width shall be equal to the outside diameter of the tile to be installed plus 100mm (4") on each side unless otherwise approved. The maximum trench width shall be equal to the outside diameter of the tile to be installed plus 250mm (10") on each side unless otherwise approved.

C.7 **EXCAVATION** (cont'd)

- .2 **Scalping**: Where the depths of cuts in isolated areas along the course of the drain as shown on the profile exceed the capacity of the Contractor's tiling machine, he shall lower the surface grade in order that the tiling machine may trench to the correct depth. Topsoil is to be stripped over a sufficient width that no subsoil will be deposited on top of topsoil. Subsoil will then be removed to the required depth and piled separately. Upon completion of backfilling, the topsoil will then be replaced to an even depth over the disturbed area. The cost for this work shall be included in his tender price.
- .3 **Excavator**: Where the Contractor's tiling machine consistently does not have the capacity to dig to the depths required or to excavate the minimum trench width required, he shall indicate in the appropriate place provided on the tender form his proposed methods of excavation.
Where the use of an excavator is either specified on the drawings or approved as evidenced by the acceptance of his tender on which he has indicated the proposed use of a backhoe he shall conform to the following requirements:
- a) the topsoil shall be stripped and replaced in accordance with Section .2 "Scalping".
 - b) all tile shall be installed on a bed of 19mm crushed stone with a minimum depth of 150mm which has been shaped to conform to the lower segment of the tile.
 - c) the Contractor shall allow for the cost of the preceding requirements (including the supply of the crushed stone) in his lump sum tender price unless it is otherwise provided for in the contract documents.
- .4 **Backfilling Ditch**: Where the contract includes for a closed drain to replace an open drain and the ditch is to be backfilled, the Contractor shall install the tile and backfill the trench prior to backfilling the ditch unless otherwise noted. The distance the trench shall be located away from the ditch shall be as noted on the drawings, (beyond area required for stockpiling topsoil and backfilling). After tile installation is complete topsoil (if present) shall be stripped and stockpiled within the above limits prior to backfilling of ditch. Only tracked equipment shall be permitted to cross backfilled tile trench and must be at 90 degrees to line of tile.

C.8 **INSTALLATION**

The tile is to be laid with close fitting joints and in regular grade and alignment in accordance with the plan and profile drawings. The tiles are to be bevelled, if necessary, to ensure close joints (in particular around curves). Where, in heavy clay soils, the width of a joint exceeds 10mm the joint shall be wrapped with filter cloth as below. Where the width of a joint exceeds 12mm the tile shall first be removed and the joint bevelled to reduce the gap. The maximum deflection of one tile joint shall be 15 degrees. Where a drain connects to standard or ditch inlet catchbasins or junction box structures, the Contractor shall include in his tender price for the supply and installation of compacted Granular 'A' bedding under areas backfilled from the underside of the pipe to undisturbed soil. The connections will then be grouted.

Where a tile drain passes through a bore pit, the Tile Contractor shall include in his tender price for the supply and placement of compacted Granular "A" bedding from the underside of the pipe down to undisturbed soil within the limits of the bore pit.

As above and where soil conditions warrant, the Engineer may require (or as specified on the drawings) that each tile joint be wrapped with synthetic filter cloth. The width of the filter cloth shall be 300mm wide for tile sizes of 150mm to 300mm and 400mm wide for sizes of 350mm to 750mm. The filter cloth shall cover the full perimeter of the tile and overlap a minimum of 100mm or as specified on the drawings. The type of cloth shall be Mirafi 140NL for loam soils and 150N for sandy soil. Any such work not shown on the drawings shall be considered as an addition to the contract price unless specified on the drawings.

C.9 **ROAD AND LANEWAY SUB-SURFACE CROSSINGS**

All road and laneway crossings may be made with an open cut in accordance with standard detailed drawings in the specifications or on the drawings. The exact location of the crossing shall be verified and approved by the Road Authority and the Engineer and/or Superintendent.



C.10 **BACKFILLING**

As the laying of the tile progresses, blinding up to the springline including compaction by tamping (by hand) is to be made on both sides of the tile. No tile shall be backfilled until inspected by the Engineer or Drainage Superintendent unless otherwise approved by the Engineer.

The remainder of the trench shall be backfilled with special care being taken in backfilling up to a height approximately 150mm above the top of the tile to ensure that no tile breakage occurs. During the backfilling operation no equipment shall be operated in a way that would transfer loads onto the tile trench. Surplus material is to be mounded over the tile trench so that when settlement takes place the natural surface of the ground will be restored. Upon completion, a minimum cover of 600mm is required over all tile. Where stones larger than 150mm are present in the backfill material, they shall be separated from the material and disposed of by the Contractor.

Where a drain crosses a lawn area, the backfilling shall be carried out as above except that, unless otherwise specified, the backfill material shall be mechanically compacted to eliminate settlement.

C.11 **UNSTABLE SOIL**

The Contractor shall immediately contact the Engineer or Superintendent if quicksand is encountered, such that installation with a tiling machine is not possible. The Engineer shall, after consultation with the Superintendent and Contractor, determine the action necessary and a price for additions or deletions shall be agreed upon prior to further drain installation. Where directed by the Engineer, test holes are to be dug to determine the extent of the affected area. Cost of test holes shall be considered an addition to the contract price.

C.12 **ROCKS**

The Contractor shall immediately contact the Engineer or Superintendent if boulders of sufficient size and number are encountered such that the Contractor cannot continue trenching with a tiling machine. The Engineer or Superintendent may direct the Contractor to use some other method of excavating to install the drain. The basis of payment for this work shall be determined by the Engineer and Drainage Superintendent.

If only scattered large stones or boulders are removed on any project, the Contractor shall haul same to a nearby bush or fence line, or such other convenient location as approved by the Landowners(s).

C.13 **BROKEN, DAMAGED TILE OR EXCESS TILE**

The Contractor shall remove and dispose of off-site all broken (existing or new), damaged or excess tile or tiles. If the tile is supplied by the Municipality, the Contractor shall stockpile all excess tile in readily accessible locations for pickup by the Municipality upon the completion of the job.

C.14 **TRIBUTARY DRAINS**

Any tributary tile encountered in the course of the drain shall be carefully taken up by the Contractor and placed clear of the excavated earth. If the tributary tile drains encountered are clean or reasonably clean, they shall be connected into the new drain. Where existing drains are full of sediment, or contain pollutants, the decision to connect those drains to the new drain shall be left to the Engineer or Superintendent. Each tributary tile connection made by the Contractor shall be located and marked with a stake and no backfilling shall take place until the connection has been approved by the Engineer or Superintendent.

For tributary drains 150mm dia. or smaller connected to new tiles 250mm dia. or larger, and for 200mm dia. connected to 350mm dia. or larger, the Contractor shall neatly cut a hole in the middle of a tile length. The connections shall be made using a prefabricated adaptor. All other connections shall be made with prefabricated wyes or tees conforming to Boss 2000 split coupler or approved equal.

Where an open drain is being replaced by a new tile drain, existing tile outlets entering the ditch from the side opposite the new drain shall be extended to the new drain. All existing metal outlet pipes shall be carefully removed, salvaged, and left for the owner. Where the grade of the connection passes through the newly placed backfill in the ditch, the backfill material below the connection shall be thoroughly compacted and metal pipe of a size compatible with the tile outlet shall be installed so that a minimum length of 2 meters at each end is extending into undisturbed soil.

C.14 TRIBUTARY DRAINS (cont'd)

Where locations of tiles are shown on the drawings the Contractor shall include in his tender price, all costs for connecting those tiles to the new drain regardless of length.

Where tiles not shown on the drawings are encountered in the course of the drain, and are to be connected to the new drain, the Contractor shall be paid for each connection at the rate outlined in the Form of Tender and Agreement.

C.15 OUTLET PIPES

Corrugated steel pipe shall be used to protect the tile at its outlet. It shall have a hinged metal grate with a maximum spacing between bars of 40mm. The corrugated steel pipe shall be bevelled at the end to generally conform to the slope of the ditch bank and shall be of sufficient size that the tile can be inserted into it to provide a solid connection. The connection will then be grouted immediately.

The installation of the outlet pipe and the required rip-rap protection shall conform to the standard detailed drawing as noted on the drawing.

C.16 CATCHBASINS AND JUNCTION BOXES

- .1 **Catchbasins:** Unless otherwise noted or approved, catchbasins shall be in accordance with O.P.S.D. 705.010, 705.030. All catchbasins shall include two - 150mm riser sections for future adjustments. All ditch inlet catchbasins shall include one 150mm riser section for future adjustments. The catchbasin top shall be a "Bird Cage" type substantial steel grate, removable for cleaning and shall be inset into a recess provided around the top of the structure. The grate shall be fastened to the catchbasin with bolts into the concrete. Spacing of bars on grates for use on 600mmx600mm structures shall be 65mm centre to centre. Spacing of bars on grates for use on structures larger than 600mmx600mm shall be 90mm with a steel angle frame.

The exact location and elevation of catchbasins shall be approved by the Road Authority or the Engineer/Superintendent. Catchbasins offset from the drain shall have "Boss 2000" 200mm diameter leads or approved equal unless otherwise noted and the leads shall have a minimum of 600mm of cover. The leads shall be securely grouted at the structures and the drain.

- .2 **Junction Boxes:** Junction boxes shall be the precast type unless otherwise approved. Dimensions for precast junction boxes shall conform to those for catchbasins. The inside dimensions of the box shall be a minimum of 100mm larger than the outside diameter of the largest pipe being connected. The minimum cover over the junction box shall be 600mm. Benching to spring line shall be supplied with all junction boxes.
- .3 **Connections:** Catchbasins and junction boxes shall not be ordered until elevations of existing pipes being connected have been verified in the field as indicated on the drawings. All connections shall be securely grouted at both the inside and outside walls of the structure.
- .4 **Installation:** Where the native material is clay, all catchbasins shall be backfilled with an approved granular material placed and compacted to a minimum width of 300mm on all sides with the following exception. Where the native material is sandy or granular in nature it may be used as backfill. Filter cloth shall be placed between the riser sections of all catchbasins.

Where the Contractor has over excavated or where ground conditions warrant, the structure shall be installed on a compacted granular base.

The Contractor shall include in his tender price for the construction of a berm behind all ditch inlet structures. The berm shall be constructed of compacted clay keyed 300mm into undisturbed soil. Topsoil shall be distributed to a 65mm thickness and seeded unless otherwise specified. The Contractor shall also include for regrading, shaping and seeding of road ditches for a maximum of 15 meters each way from all catchbasins.



C.17 BLIND INLETS

Where specified, blind inlets shall be installed along the course of the drain in accordance with details on the drawings.

C.18 GRASSED WATERWAY

Topsoil to be stripped from construction area and stockpiled prior to construction of waterway. Waterway to be graded into a parabolic shape to the width shown on the drawings. Topsoil to be relevelled over the waterway and other areas disturbed by construction.

Waterway to be prepared for seeding by harrowing and then seeded by drilling followed by rolling. Seeding rate to be 85 Kg/Ha with the following mixture:

- 30% Canon Canada Bluegrass
- 25% Koket Chewings Fescue
- 30% Rebel Tall Fescue
- 15% Diplomat Perennial Rye
- Plus #125 Birdsfoot Trefoil (25% of Total Weight)

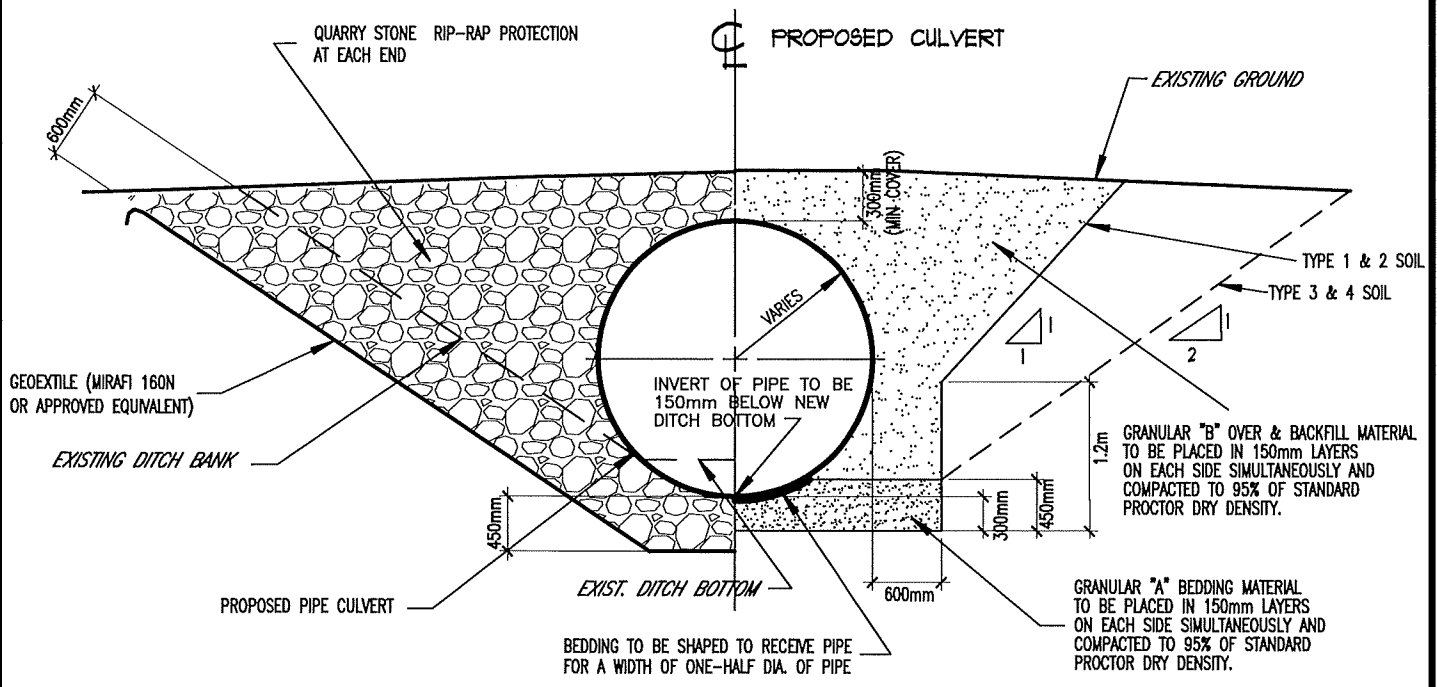
C.19 BACKFILLING EXISTING DITCHES

The Contractor shall backfill the ditch sufficiently for traversing by farm machinery. If sufficient material is not available from the old spoil banks to fill in the existing ditch, the topsoil shall be stripped and the subsoil shall be bulldozed into the ditch and the topsoil shall then be spread over the backfilled ditch unless otherwise specified on the contract drawings. The Contractor shall ensure sufficient compaction of the backfill and if required, repair excess settlement up to the end of the warranty period. The final grade of the backfilled ditch shall provide an outlet for surface water.

C.20 RECOMMENDED PRACTICE FOR CONSTRUCTION OF SUBSURFACE DRAINAGE SYSTEM

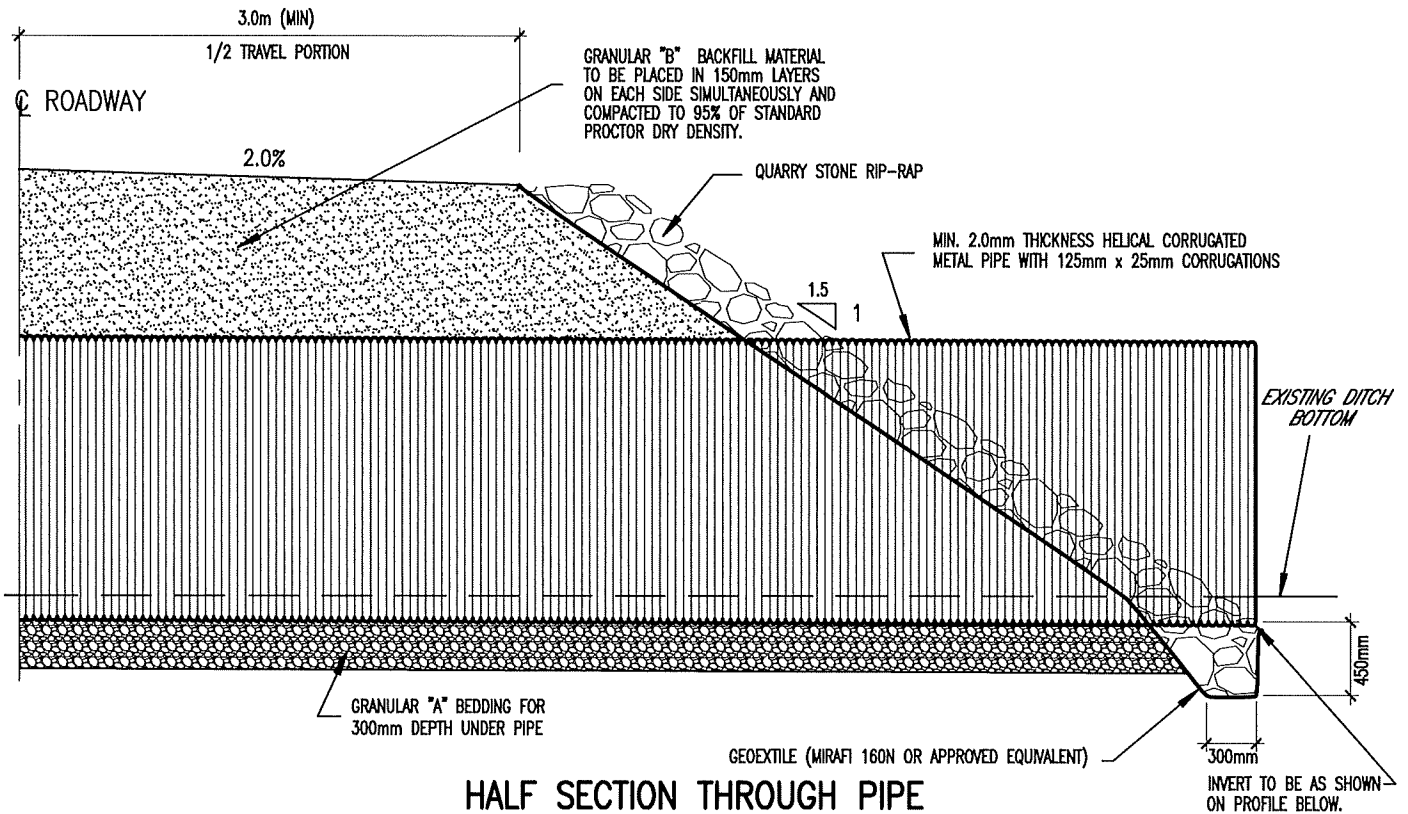
Drainage guide for Ontario, Ministry of Agriculture, Food and Rural Affairs Publication Number 29 and its amendments, dealing with the construction of Subsurface Drainage systems, shall be the guide to all methods and materials to be used in the construction of tile drains except where superseded by other specifications of this contract.

The requirements of licensing of operators, etc. which apply to the installation of closed drains under the Tile Drainage Act shall also be applicable to this contract in full unless approval otherwise is given in advance by the Engineer.



HALF ELEVATION


HALF SECTION



HALF SECTION THROUGH PIPE

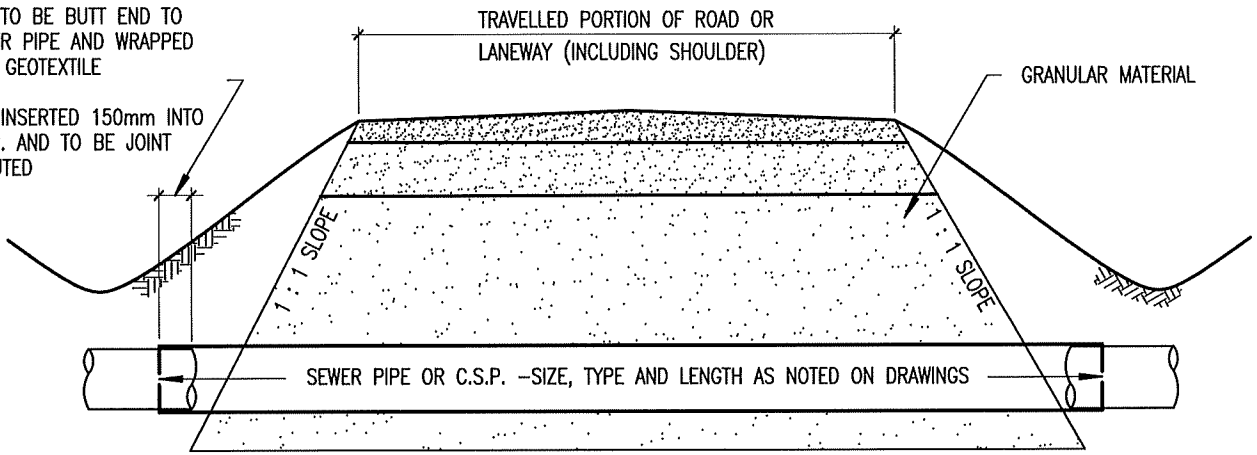
NOTES

- 1) WHERE THE CULVERT IS TO BE INSTALLED IN POOR SOIL CONDITIONS, THE BEDDING MATERIAL SHALL BE 19mm CRUSHED STONE COMPLETELY WRAPPED IN GEOTEXTILE SUCH AS MIRAFI 160N OR APPROVED EQUIVALENT.

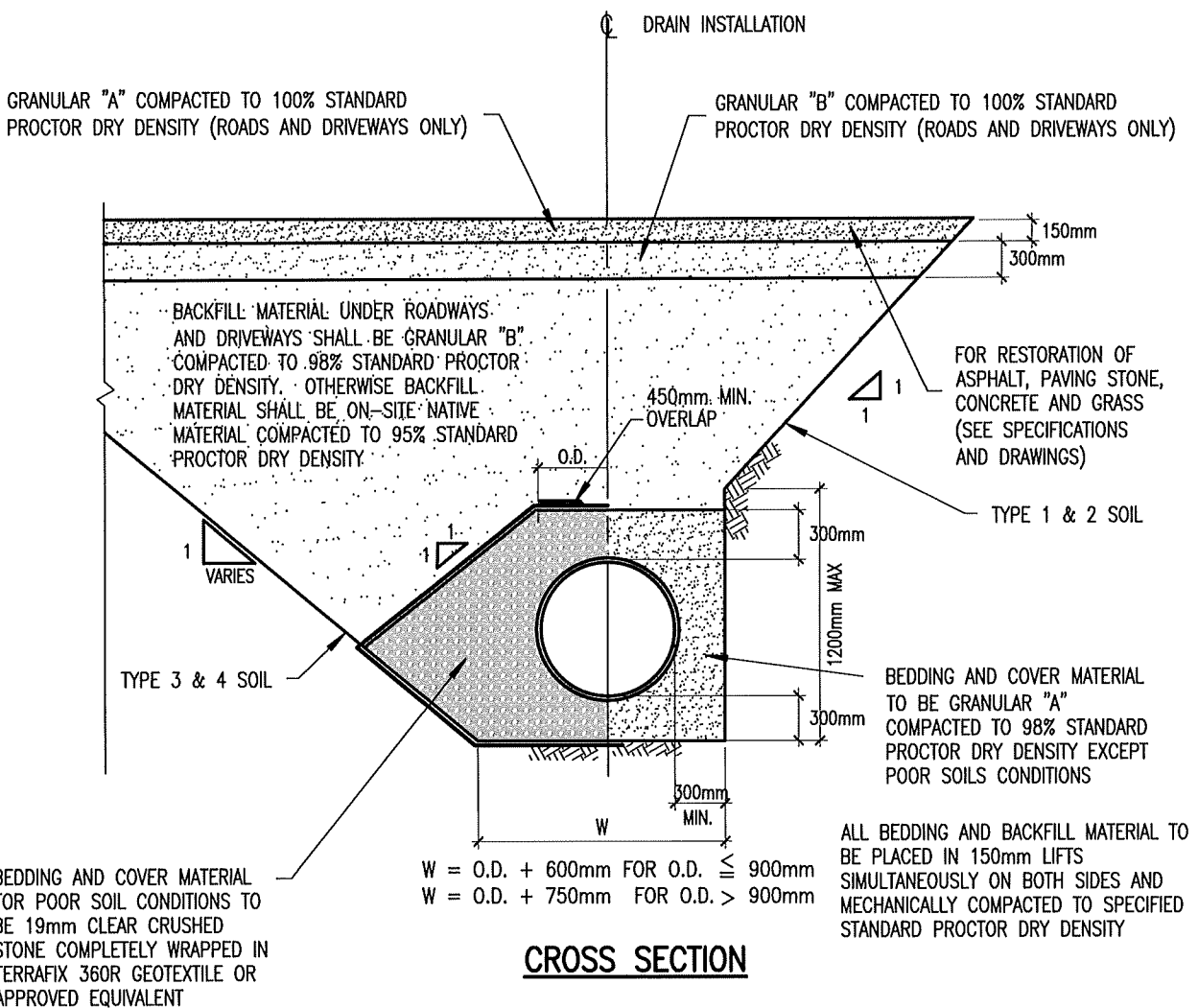
TYPICAL FARM CULVERT INSTALLATION DETAIL		
Scale: N.T.S.	Approved by: M.P.D.	Date: January 1983
Drawn by: jk		Revised: November 2000
ELEVATION & SECTION		STANDARD DETAILED DRAWING
 SPRIET ASSOCIATES LONDON LIMITED CONSULTING ENGINEERS ARCHITECTS		No. 01

1. TILE TO BE BUTT END TO SEWER PIPE AND WRAPPED WITH GEOTEXTILE

2. TILE INSERTED 150mm INTO C.S.P. AND TO BE JOINT GROUDED



SECTION THROUGH PIPE



CROSS SECTION

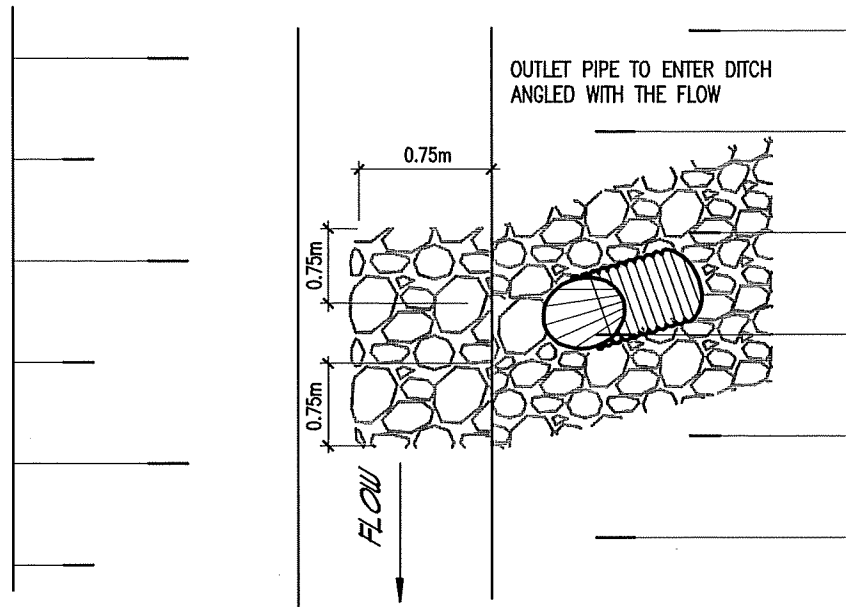
TYPICAL INSTALLATION DETAIL FOR SEWER PIPE UNDER DRIVEWAYS AND TRAVELLED PORTIONS OF ROADS

Scale: N.T.S.	Approved by: M.P.D.	Date: January 1983
Drawn by: jk		Revised: JULY 2018

ELEVATION & SECTION

SPRIET ASSOCIATES LONDON LIMITED
CONSULTING ENGINEERS ARCHITECTS

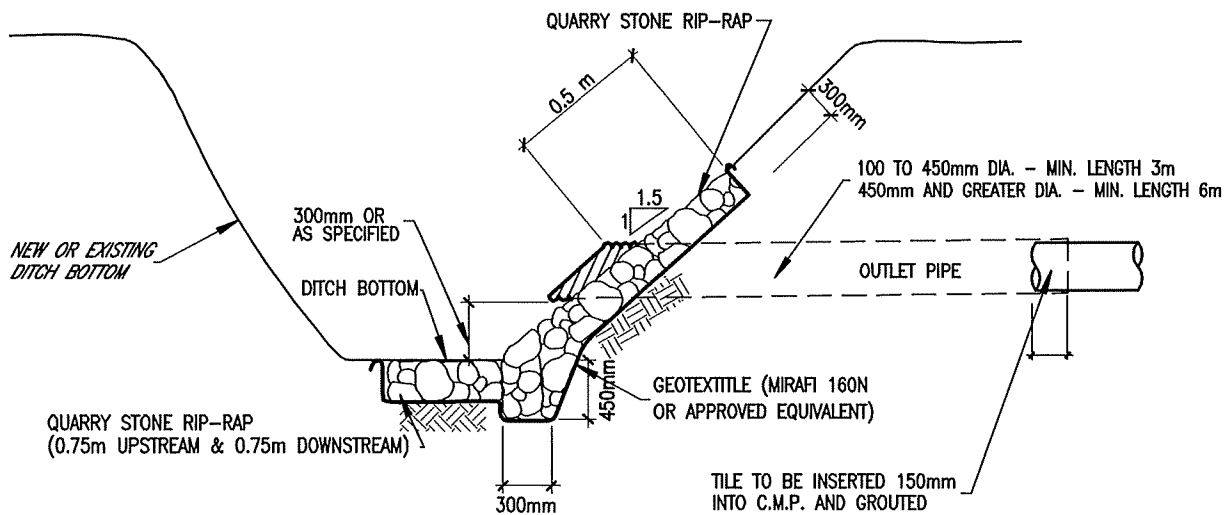
STANDARD
DETAILED
DRAWING
No. 02



PLAN

NOTES

1. WHERE THE DISTURBED AREA EXCEEDS THE MIN. WIDTHS, RIP-RAP TO EXTEND TO A MIN. OF 600mm BEYOND THE DISTURBED AREA



TYPICAL OUTLET RIP-RAP

NOTES

1. RIP-RAP TO EXTEND UP THE SLOPE 0.5 METER ABOVE TOP OF OUTLET
2. WHERE SURFACE RUN ENTERS DITCH AT OUTLET PIPE, A ROCK CHUTE SHALL BE INSTALLED (SEE S.D.D. No. 05) AND PIPE SHALL BE INSTALLED ADJACENT TO ROCK CHUTE.
3. HINGED RODENT GATE TO BE AFFIXED TO END OF OUTLET PIPE.

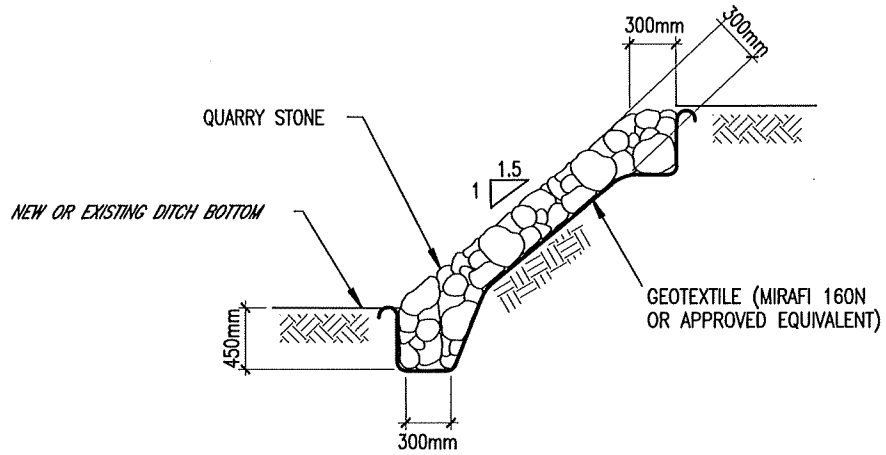
TYPICAL OUTLET RIP-RAP THROUGH SIDE SLOPE OF DITCH

Scale: N.T.S.	Approved by:	Date: November 2000
Drawn by: jk	M.P.D.	Revised: January 2009

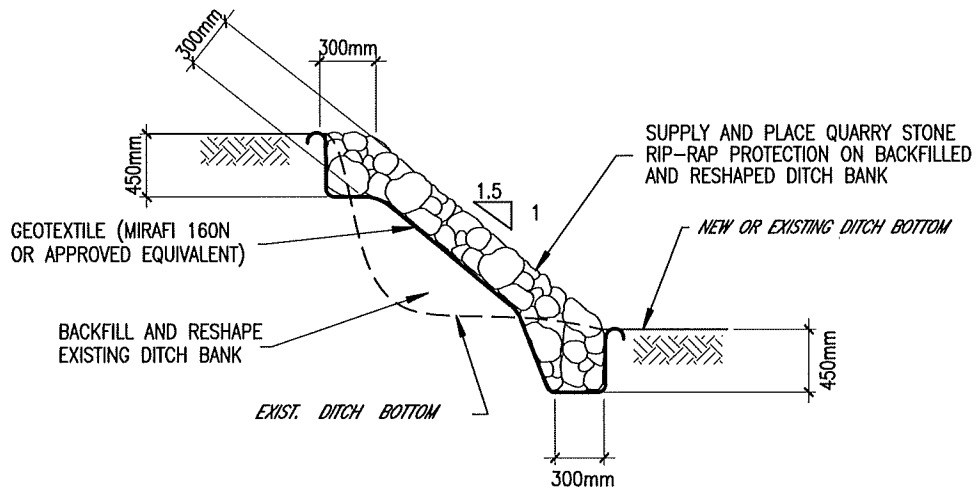
PLAN & SECTION

SPRIET ASSOCIATES LONDON LIMITED
CONSULTING ENGINEERS ARCHITECTS

STANDARD
DETAILED
DRAWING
No. 03




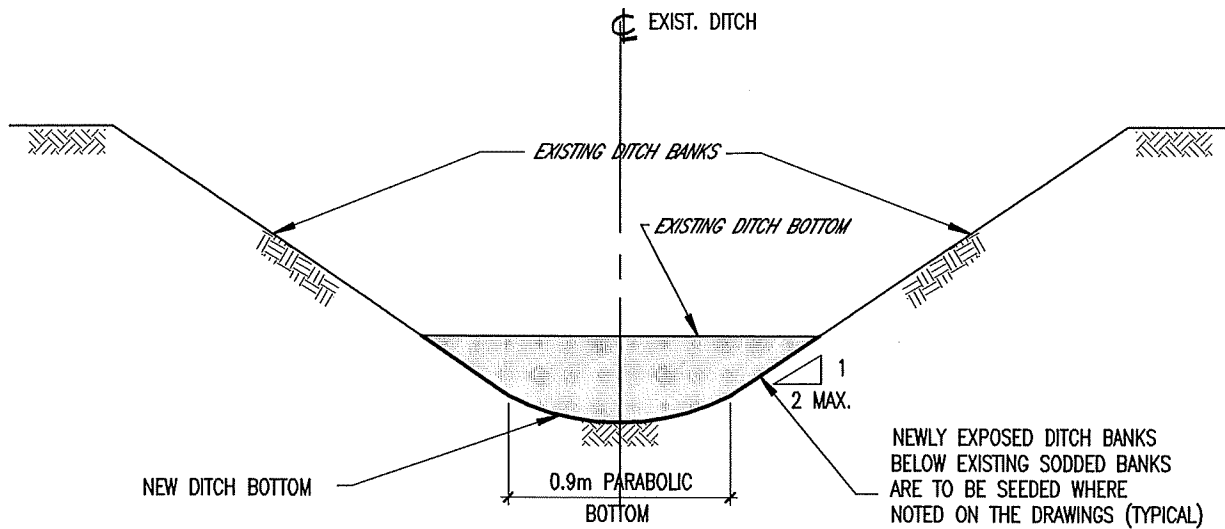
TYPICAL DITCH BANK RIP-RAP



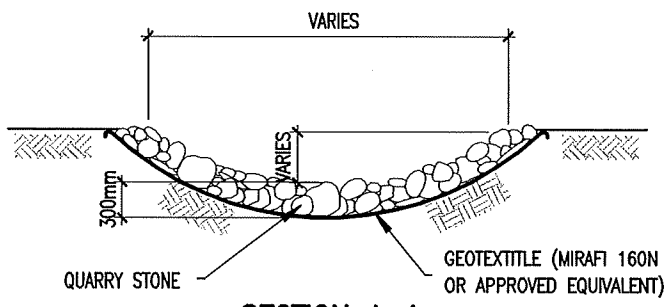
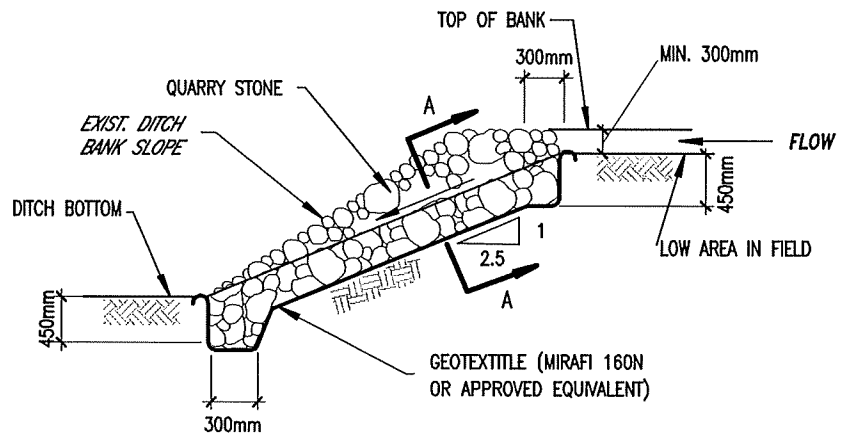
**TYPICAL DITCH BANK RIP-RAP
WITH BACKFILLING OF WASHOUT**

TYPICAL DITCH BANK RIP-RAP DETAILS

Scale: N.T.S.	Approved by:	Date: July 2000
Drawn by: jk	M.P.D.	Revised: November 2000
SECTIONS		STANDARD DETAILED DRAWING No. 04
 SPRIET ASSOCIATES LONDON LIMITED CONSULTING ENGINEERS ARCHITECTS		



TYPICAL DITCH BOTTOM CLEANOUT



**SECTION A-A
TYPICAL ROCK CHUTE**

TYPICAL DITCH BOTTOM CLEANOUT TYPICAL ROCK CHUTE CONSTRUCTION		
Scale: N.T.S.	Approved by:	Date: November 2000
Drawn by: jk	M.P.D.	Revised:
SECTIONS		STANDARD DETAILED DRAWING No. 05
SPRIET ASSOCIATES LONDON LIMITED CONSULTING ENGINEERS ARCHITECTS		

SCHEDULE OF NET ASSESSMENT

BIEDERMAN DRAIN

City of Port Colborne

(FOR INFORMATION PURPOSES ONLY)

Job No. 219271

January 12, 2023

* = Non-agricultural

ROLL NUMBER (OWNER)	TOTAL ASSESSMENT	GRANT	ALLOWANCES	APPROX. NET
City of Port Colborne				
* 38-232-10 (J. Kish)	\$ 7.00	\$	\$	7.00
* 38-232 (A. Kish)	7.00			7.00
* 38-231 (W. Crowther)	7.00			7.00
* 38-230 (R. Corey)	7.00			7.00
* 38-229 (T. Terfry)	13.00			13.00
* 38-228-05 (M. Steven)	7.00			7.00
* 38-228-03 (T. Huffman)	7.00			7.00
* 38-228-02 (P. Chiomey)	7.00			7.00
* 38-228 (T. Lasovich)	13.00			13.00
* 38-227 (C. Labrie)	7.00			7.00
* 38-226 (J. Penner)	21.00			21.00
* 38-225-02 (C. Gunn)	7.00			7.00
* 38-225 (C. Campbell)	7.00			7.00
* 38-224-18 (City of Port Colborne)	1.00			1.00
* 38-224-16 (D. Zappone)	7.00			7.00
* 38-224-14 (E. Todd)	7.00			7.00
* 38-254-05 (S. Barrick)	7.00			7.00
* 38-254-10 (M. Muscat)	7.00			7.00
* 38-262 (R. Marr)	21.00			21.00
* 38-268 (S. Holjak)	43.00			43.00
* 38-267-15 (D. Kish)	7.00			7.00
* 38-235 (A. Gelsumini)	17.00			17.00
* 38-234 (M. Todd)	11.00			11.00
* 38-233 (T. Stead)	11.00			11.00
* 38-232-02 (L. Pambianco)	25.00			25.00
* 38-271-10 (M. Yallin)	262.00			262.00
38-271 (S. Kilty)	1,907.00	636.00		1,271.00
* 37-091 (Jungbunzlauer Canada Inc.)	11,708.00			11,708.00
* 37-092 (City of Port Colborne)	11,185.00		3,450.00	7,735.00
* 37-091-03 (Jungbunzlauer Canada Inc.)	5,859.00			5,859.00
* 37-091-04 (Canarector Properties Inc)	723.00			723.00
* 37-091-06 (1814164 Ontario Inc.)	830.00			830.00
* 37-091-08 (1150617 Ontario Inc.)	723.00			723.00
* 37-091-10 (Trimac Transportation Services	583.00			583.00
* 37-218 (1399908 Ontario Ltd.)	7.00			7.00
* 37-218-02 (1399908 Ontario Ltd.)	5.00			5.00
* 37-219 (1399908 Ontario Ltd.)	7.00			7.00

SCHEDULE OF NET ASSESSMENT (Cont'd)

BIEDERMAN DRAIN
City of Port Colborne* = *Non-agricultural*

	ROLL NUMBER (OWNER)	TOTAL ASSESSMENT	GRANT	ALLOWANCES	APPROX. NET
*	37-219-02 (1399908 Ontario Ltd.)	7.00			7.00
*	37-220 (1399908 Ontario Ltd.)	7.00			7.00
*	37-220-02 (1399908 Ontario Ltd.)	7.00			7.00
*	37-221 (1399908 Ontario Ltd.)	7.00			7.00
*	37-221-02 (1399908 Ontario Ltd.)	7.00			7.00
*	37-222 (1399908 Ontario Ltd.)	7.00			7.00
*	37-222-02 (1399908 Ontario Ltd.)	7.00			7.00
*	37-223 (1399908 Ontario Ltd.)	7.00			7.00
*	37-223-02 (1399908 Ontario Ltd.)	7.00			7.00
*	37-224 (1399908 Ontario Ltd.)	7.00			7.00
*	37-224-02 (1399908 Ontario Ltd.)	7.00			7.00
*	37-225 (1399908 Ontario Ltd.)	8.00			8.00
*	37-225-02 (1399908 Ontario Ltd.)	8.00			8.00
*	37-226 (1399908 Ontario Ltd.)	8.00			8.00
*	37-226-02 (1399908 Ontario Ltd.)	9.00			9.00
*	37-247 (1399908 Ontario Ltd.)	7.00			7.00
*	37-248 (1399908 Ontario Ltd.)	5.00			5.00
*	37-249 (1399908 Ontario Ltd.)	8.00			8.00
*	37-250 (1399908 Ontario Ltd.)	8.00			8.00
*	37-251 (1399908 Ontario Ltd.)	8.00			8.00
*	37-252 (1399908 Ontario Ltd.)	8.00			8.00
*	37-253 (1399908 Ontario Ltd.)	7.00			7.00
*	37-254 (1399908 Ontario Ltd.)	7.00			7.00
*	37-255 (1399908 Ontario Ltd.)	7.00			7.00
*	37-256 (1399908 Ontario Ltd.)	7.00			7.00
*	37-257 (1399908 Ontario Ltd.)	7.00			7.00
*	37-258 (1399908 Ontario Ltd.)	7.00			7.00
*	37-259 (1399908 Ontario Ltd.)	7.00			7.00
*	37-260 (1399908 Ontario Ltd.)	8.00			8.00
*	37-261 (1399908 Ontario Ltd.)	8.00			8.00
*	37-262 (1399908 Ontario Ltd.)	7.00			7.00
*	37-323 (Pine Glen Colborne Inc.)	7.00			7.00
*	37-322 (Pine Glen Colborne Inc.)	8.00			8.00
*	37-321 (Pine Glen Colborne Inc.)	11.00			11.00
*	37-320 (Pine Glen Colborne Inc.)	15.00			15.00
*	37-319 (Pine Glen Colborne Inc.)	12.00			12.00
*	37-318 (Pine Glen Colborne Inc.)	8.00			8.00
*	37-317 (Pine Glen Colborne Inc.)	7.00			7.00
*	37-316 (Pine Glen Colborne Inc.)	7.00			7.00
*	37-315 (Pine Glen Colborne Inc.)	7.00			7.00
*	37-314 (Pine Glen Colborne Inc.)	7.00			7.00

SCHEDULE OF NET ASSESSMENT (Cont'd)

BIEDERMAN DRAIN
City of Port Colborne* = *Non-agricultural*

	ROLL NUMBER (OWNER)	TOTAL ASSESSMENT	GRANT	ALLOWANCES	APPROX. NET
*	37-313 (Pine Glen Colborne Inc.)	7.00			7.00
*	37-312 (Pine Glen Colborne Inc.)	7.00			7.00
*	37-311 (Pine Glen Colborne Inc.)	7.00			7.00
*	37-310 (Pine Glen Colborne Inc.)	7.00			7.00
*	37-309 (Pine Glen Colborne Inc.)	9.00			9.00
*	37-308 (Pine Glen Colborne Inc.)	9.00			9.00
*	37-327 (Pine Glen Colborne Inc.)	9.00			9.00
*	37-328 (Pine Glen Colborne Inc.)	8.00			8.00
*	37-329 (Pine Glen Colborne Inc.)	8.00			8.00
*	37-330 (Pine Glen Colborne Inc.)	8.00			8.00
*	37-331 (Pine Glen Colborne Inc.)	8.00			8.00
*	37-332 (Pine Glen Colborne Inc.)	9.00			9.00
*	37-333 (Pine Glen Colborne Inc.)	7.00			7.00
*	37-162 (C. Hawkhisstone)	8.00			8.00
*	37-162-02 (M. Mastracci)	8.00			8.00
*	37-163 (B. Beck)	8.00			8.00
*	37-164 (G. Trottier)	8.00			8.00
*	37-165 (A. Esposito)	8.00			8.00
*	37-166 (S. Sokulski)	8.00			8.00
*	37-167 (K. Koiter)	8.00			8.00
*	37-168 (G. Govey)	9.00			9.00
*	37-170 (R. Passmore)	11.00			11.00
*	37-171 (B. Lobbezoo)	11.00			11.00
*	37-172 (G. Garner)	8.00			8.00
*	37-173 (D. Lepoidvin)	9.00			9.00
*	37-183 (T. Dirstein)	8.00			8.00
*	37-184 (D. Legault)	8.00			8.00
*	37-185 (A. Giorgi)	8.00			8.00
*	37-186 (L. Santos)	8.00			8.00
*	37-187 (S. Templain)	8.00			8.00
*	37-188 (T. Jones)	8.00			8.00
*	37-189 (S. Bozzato)	7.00			7.00
*	37-302-20 (V. Berezhnyuk)	11.00			11.00
*	37-302-18 (Y. Cloutier)	7.00			7.00
*	37-302-16 (V. Ransky)	8.00			8.00
*	37-302-14 (C. Demosthenes)	8.00			8.00
*	37-302-12 (D. Harms)	8.00			8.00
*	37-302-10 (K. Neil)	8.00			8.00
*	37-302-08 (A. Domanico)	8.00			8.00
*	37-302-06 (L. Gregovski)	8.00			8.00
*	37-302-04 (J. Chamberlain)	8.00			8.00

SCHEDULE OF NET ASSESSMENT (Cont'd)

BIEDERMAN DRAIN
City of Port Colborne* = *Non-agricultural*

ROLL NUMBER (OWNER)	TOTAL ASSESSMENT	GRANT	ALLOWANCES	APPROX. NET
* 37-302-02 (J. Geborski)	7.00			7.00
* 37-302 (T. Lamb)	7.00			7.00
* 37-282 (T. Charles)	11.00			11.00
* 37-283 (M. Gallinger)	9.00			9.00
* 37-284 (E. Mendoza)	9.00			9.00
* 37-285 (J. Krueger)	9.00			9.00
* 37-286 (J. Rutherford)	9.00			9.00
* 37-287 (A. Smith)	9.00			9.00
* 37-288 (A. Robichaud)	9.00			9.00
* 37-289 (J. Phillips)	11.00			11.00
* 37-290 (M. Cockhill)	11.00			11.00
* 37-291 (C. White)	12.00			12.00
* 37-292 (R. Martin)	9.00			9.00
* 37-292-02 (Q. Yu)	8.00			8.00
* 37-293 (R. Lee)	8.00			8.00
* 37-293-02 (J. Felker)	8.00			8.00
* 37-294 (F. Walker)	8.00			8.00
* 37-294-02 (P. Laughland)	11.00			11.00
* 37-413 (J. Sliter)	8.00			8.00
* 37-414 (M. Gehl)	8.00			8.00
* 37-415 (M. Pollard)	8.00			8.00
* 37-416 (L. Lariccia)	8.00			8.00
* 37-417 (D. O'Hara)	9.00			9.00
* 37-418 (L. Kramer)	8.00			8.00
* 37-419 (M. Aminillah)	11.00			11.00
* 37-305 (Pine Glen Colborne Inc.)	9.00			9.00
* 37-306 (Pine Glen Colborne Inc.)	13.00			13.00
* 37-307 (Pine Glen Colborne Inc.)	12.00			12.00
* 37-263 (1399908 Ontario Ltd.)	7.00			7.00
* 37-264 (1399908 Ontario Ltd.)	7.00			7.00
* 37-265 (1399908 Ontario Ltd.)	7.00			7.00
* 37-404 (1399908 Ontario Ltd.)	9.00			9.00
* 37-405 (1399908 Ontario Ltd.)	8.00			8.00
* 37-406 (1399908 Ontario Ltd.)	8.00			8.00
* 37-407 (1399908 Ontario Ltd.)	8.00			8.00
* 37-408 (1399908 Ontario Ltd.)	8.00			8.00
* 37-409 (1399908 Ontario Ltd.)	8.00			8.00
* 37-447-02 (J. Hoggar)	11.00			11.00
* 37-447 (R. Sardella)	9.00			9.00
* 37-446-02 (H. Brennan)	8.00			8.00
* 37-227 (1399908 Ontario Ltd.)	8.00			8.00

SCHEDULE OF NET ASSESSMENT (Cont'd)

BIEDERMAN DRAIN
City of Port Colborne* = *Non-agricultural*

	ROLL NUMBER (OWNER)	TOTAL ASSESSMENT	GRANT	ALLOWANCES	APPROX. NET
*	37-228 (1399908 Ontario Ltd.)	8.00			8.00
*	37-229 (1399908 Ontario Ltd.)	8.00			8.00
*	37-230 (1399908 Ontario Ltd.)	8.00			8.00
*	37-389 (1399908 Ontario Ltd.)	7.00			7.00
*	37-388 (1399908 Ontario Ltd.)	7.00			7.00
*	37-387 (1399908 Ontario Ltd.)	8.00			8.00
*	37-386 (1399908 Ontario Ltd.)	8.00			8.00
*	37-397 (1399908 Ontario Ltd.)	8.00			8.00
*	37-398 (1399908 Ontario Ltd.)	8.00			8.00
*	37-399 (1399908 Ontario Ltd.)	8.00			8.00
*	37-400 (1399908 Ontario Ltd.)	8.00			8.00
*	37-401 (1399908 Ontario Ltd.)	7.00			7.00
*	37-402 (1399908 Ontario Ltd.)	7.00			7.00
*	37-366 (1399908 Ontario Ltd.)	7.00			7.00
*	37-367 (1399908 Ontario Ltd.)	8.00			8.00
*	37-529 (1399908 Ontario Ltd.)	11.00			11.00
*	37-530 (1399908 Ontario Ltd.)	11.00			11.00
*	37-531 (1399908 Ontario Ltd.)	11.00			11.00
*	37-532 (1399908 Ontario Ltd.)	11.00			11.00
*	37-533 (1399908 Ontario Ltd.)	11.00			11.00
*	37-534 (1399908 Ontario Ltd.)	11.00			11.00
*	37-535 (1399908 Ontario Ltd.)	11.00			11.00
*	37-536 (1399908 Ontario Ltd.)	11.00			11.00
*	37-537 (1399908 Ontario Ltd.)	13.00			13.00
*	37-446 (1399908 Ontario Ltd.)	7.00			7.00
*	37-445 (1399908 Ontario Ltd.)	7.00			7.00
*	37-444 (1399908 Ontario Ltd.)	7.00			7.00
*	37-443 (1399908 Ontario Ltd.)	7.00			7.00
*	37-442 (1399908 Ontario Ltd.)	7.00			7.00
*	37-441 (1399908 Ontario Ltd.)	7.00			7.00
*	37-440 (1399908 Ontario Ltd.)	7.00			7.00
*	37-439 (1399908 Ontario Ltd.)	7.00			7.00
*	37-438 (1399908 Ontario Ltd.)	7.00			7.00
*	37-437 (1399908 Ontario Ltd.)	7.00			7.00
*	37-436 (1399908 Ontario Ltd.)	7.00			7.00
*	37-435 (1399908 Ontario Ltd.)	7.00			7.00
*	37-434 (1399908 Ontario Ltd.)	7.00			7.00
*	37-433 (1399908 Ontario Ltd.)	7.00			7.00
*	37-432 (1399908 Ontario Ltd.)	8.00			8.00
*	37-463 (1399908 Ontario Ltd.)	7.00			7.00
*	37-464 (1399908 Ontario Ltd.)	7.00			7.00

SCHEDULE OF NET ASSESSMENT (Cont'd)

**BIEDERMAN DRAIN
City of Port Colborne*** = *Non-agricultural*

	ROLL NUMBER (OWNER)	TOTAL ASSESSMENT	GRANT	ALLOWANCES	APPROX. NET
*	37-465 (1399908 Ontario Ltd.)	7.00			7.00
*	37-466 (1399908 Ontario Ltd.)	7.00			7.00
*	37-467 (1399908 Ontario Ltd.)	7.00			7.00
*	37-468 (1399908 Ontario Ltd.)	7.00			7.00
*	37-469 (1399908 Ontario Ltd.)	7.00			7.00
*	37-470 (1399908 Ontario Ltd.)	7.00			7.00
*	37-471 (1399908 Ontario Ltd.)	7.00			7.00
*	37-472 (1399908 Ontario Ltd.)	7.00			7.00
*	37-473 (1399908 Ontario Ltd.)	7.00			7.00
*	37-474 (1399908 Ontario Ltd.)	7.00			7.00
*	37-475 (1399908 Ontario Ltd.)	9.00			9.00
*	37-476 (2732373 Ontario Inc.)	11.00			11.00
*	37-515 (1399908 Ontario Ltd.)	7.00			7.00
*	37-516 (1399908 Ontario Ltd.)	7.00			7.00
*	37-517 (1435587 Ontario Inc.)	7.00			7.00
*	37-502 (1399908 Ontario Ltd.)	8.00			8.00
*	37-501 (1399908 Ontario Ltd.)	8.00			8.00
*	37-500 (1399908 Ontario Ltd.)	5.00			5.00
*	37-499 (1399908 Ontario Ltd.)	5.00			5.00
*	37-498 (1399908 Ontario Ltd.)	5.00			5.00
*	37-497 (1399908 Ontario Ltd.)	7.00			7.00
*	37-496 (1399908 Ontario Ltd.)	5.00			5.00
*	37-495 (1399908 Ontario Ltd.)	5.00			5.00
*	37-494 (1399908 Ontario Ltd.)	5.00			5.00
*	37-493 (1399908 Ontario Ltd.)	5.00			5.00
*	37-492 (1399908 Ontario Ltd.)	5.00			5.00
*	37-491 (1399908 Ontario Ltd.)	5.00			5.00
*	37-503 (1399908 Ontario Ltd.)	11.00			11.00
*	37-504 (1399908 Ontario Ltd.)	8.00			8.00
*	37-505 (1399908 Ontario Ltd.)	8.00			8.00
*	37-506 (1399908 Ontario Ltd.)	8.00			8.00
*	37-507 (1399908 Ontario Ltd.)	8.00			8.00
*	37-508 (1399908 Ontario Ltd.)	8.00			8.00
*	37-509 (1399908 Ontario Ltd.)	8.00			8.00
*	37-510 (1399908 Ontario Ltd.)	8.00			8.00
*	37-511 (1399908 Ontario Ltd.)	8.00			8.00
*	37-512 (1399908 Ontario Ltd.)	8.00			8.00
*	37-513 (1399908 Ontario Ltd.)	8.00			8.00
*	37-431 (1399908 Ontario Ltd.)	8.00			8.00
*	37-430 (1399908 Ontario Ltd.)	7.00			7.00
*	37-429 (1399908 Ontario Ltd.)	8.00			8.00

SCHEDULE OF NET ASSESSMENT (Cont'd)

BIEDERMAN DRAIN
City of Port Colborne

* = Non-agricultural

	ROLL NUMBER (OWNER)	TOTAL ASSESSMENT	GRANT	ALLOWANCES	APPROX. NET
*	37-428 (1399908 Ontario Ltd.)	7.00			7.00
*	37-427 (1399908 Ontario Ltd.)	7.00			7.00
*	37-456 (1399908 Ontario Ltd.)	5.00			5.00
*	37-457 (1399908 Ontario Ltd.)	5.00			5.00
*	37-458 (1399908 Ontario Ltd.)	5.00			5.00
*	37-459 (1399908 Ontario Ltd.)	8.00			8.00
*	37-460 (1399908 Ontario Ltd.)	7.00			7.00
*	37-461 (1399908 Ontario Ltd.)	7.00			7.00
*	37-462 (1399908 Ontario Ltd.)	7.00			7.00
*	37-528 (1399908 Ontario Ltd.)	205.00			205.00
*	37-527 (1399908 Ontario Ltd.)	8.00			8.00
*	37-526 (1399908 Ontario Ltd.)	8.00			8.00
*	37-525 (1399908 Ontario Ltd.)	9.00			9.00
*	37-524 (1399908 Ontario Ltd.)	12.00			12.00
*	37-523 (1399908 Ontario Ltd.)	8.00			8.00
*	37-522 (1399908 Ontario Ltd.)	9.00			9.00
*	37-489 (1399908 Ontario Ltd.)	8.00			8.00
*	37-488 (1399908 Ontario Ltd.)	8.00			8.00
*	37-487 (1399908 Ontario Ltd.)	9.00			9.00
*	37-486 (1399908 Ontario Ltd.)	7.00			7.00
*	37-485 (1399908 Ontario Ltd.)	7.00			7.00
*	37-484 (1399908 Ontario Ltd.)	5.00			5.00
*	37-483 (1399908 Ontario Ltd.)	5.00			5.00
*	37-482 (1399908 Ontario Ltd.)	7.00			7.00
*	37-600 (City of Port Colborne)	217.00			217.00
*	37-094-05 (1399908 Ontario Ltd.)	15.00			15.00
*	37-095 (V. Sherk)	7.00			7.00
*	37-096 (1399908 Ontario Ltd.)	1.00			1.00
*	37-097 (C. Olah)	32.00			32.00
*	37-098 (Jungbunzlauer Canada Inc.)	41.00			41.00
*	37-100 (T. Lee)	12.00			12.00
*	37-140-50 (City of Port Colborne)	232.00			232.00
*	37-119 (1650733 Ontario Inc.)	51.00			51.00
*	37-111 (1405354 Ontario Ltd.)	76.00			76.00
*	37-140-55 (R C Flagman Inc.)	123.00			123.00
*	37-118 (788893 Ontario Ltd.)	27.00			27.00
*	37-116 (ESN Electrical Solutions Niagara In	52.00			52.00
*	37-114 (M. Henderson)	52.00			52.00
*	37-113 (Stolk Construction Ltd.)	84.00			84.00
*	37-101 (City of Port Colborne)	294.00			294.00
*	37-112-20 (Medina Supply Inc.)	48.00			48.00

SCHEDULE OF NET ASSESSMENT (Cont'd)

BIEDERMAN DRAIN
City of Port Colborne

* = Non-agricultural

	ROLL NUMBER (OWNER)	TOTAL ASSESSMENT	GRANT	ALLOWANCES	APPROX. NET
*	37-101-05 (Minor Fisheries Ltd.)	54.00			54.00
*	37-101-20 (R C Flagman Inc.)	146.00			146.00
*	37-141 (5001829 Ontario Inc.)	80.00			80.00
*	37-101-25 (M. Lee)	64.00			64.00
*	37-101 (City of Port Colborne)	292.00			292.00
*	Special Assessment Harbour Line	10,250.00			10,250.00
*	37-102 (Regional Municipality of Niagara)	13,410.00		4,530.00	8,880.00
*	37-098-20 (Regional Municipality of Niagara)	9.00			9.00
*	37-098-10 (Regional Municipality of Niagara)	7.00			7.00
*	37-133 (L. Simpson)	142.00			142.00
*	37-131 (1891039 Ontario Inc.)	459.00			459.00
*	37-135 (City of Port Colborne)	11.00			11.00
*	37-126 (WTC Realty Inc.)	462.00			462.00
*	37-026 (R. Schooley)	13.00			13.00
*	37-027 (T. Baker)	13.00			13.00
*	37-028 (S. Giannico)	13.00			13.00
*	37-029 (M. Paquette)	9.00			9.00
*	37-030 (C. Russell)	13.00			13.00
*	37-031 (J. McCabe-Cook)	16.00			16.00
*	37-031-01 (T. Rogalsky)	13.00			13.00
*	37-032 (J. Ranger)	20.00			20.00
*	37-033 (A. Charlesworth)	25.00			25.00
*	37-034 (R. Eden)	16.00			16.00
*	37-035 (C. Lallouet)	15.00			15.00
*	37-036 (K. Mocko)	13.00			13.00
*	37-037 (M. Porter)	9.00			9.00
*	37-038 (S. Butler)	13.00			13.00
*	37-079 (R. Lagace)	17.00			17.00
*	37-080 (D. Plata)	17.00			17.00
*	37-081 (E. Fabisiak)	19.00			19.00
*	37-039 (R. Adams)	13.00			13.00
*	37-040 (M. Sardella)	13.00			13.00
*	37-041 (J. Nicholls)	15.00			15.00
*	37-042 (N. Zutt)	13.00			13.00
*	37-043 (L Skotniski)	8.00			8.00
*	37-044 (A. Fairman)	12.00			12.00
*	37-045 (L. Kempley)	13.00			13.00
*	37-046 (G. Benner)	13.00			13.00
*	37-048 (E. Maerzluft)	13.00			13.00
*	37-049 (W. Clarke)	13.00			13.00

SCHEDULE OF NET ASSESSMENT (Cont'd)

BIEDERMAN DRAIN
City of Port Colborne

* = Non-agricultural

	ROLL NUMBER (OWNER)	TOTAL ASSESSMENT	GRANT	ALLOWANCES	APPROX. NET
*	37-050 (D. Kittel)	15.00			15.00
*	37-051 (M. Meleg)	16.00			16.00
*	37-052 (S. Foebel)	12.00			12.00
*	37-047 (W. Maw)	9.00			9.00
*	37-063 (R. Breiter)	13.00			13.00
*	37-062 (W. Tykoliz)	13.00			13.00
*	37-061 (G. Dayboll)	13.00			13.00
*	37-060 (R. Smith)	16.00			16.00
*	37-088 (M. Kolbinson)	19.00			19.00
*	37-089 (K. Crompton)	13.00			13.00
*	37-090 (G. Schneider)	13.00			13.00
*	37-064 (S. Ross)	12.00			12.00
*	37-065 (J. Clark)	13.00			13.00
*	37-066 (K. Sherk)	9.00			9.00
*	37-067 (M. Farnan)	13.00			13.00
*	37-068 (R. Turonski)	13.00			13.00
*	37-069 (D. Iwanicki)	12.00			12.00
*	37-059 (J. Hill)	20.00			20.00
*	37-082 (M. Vankralingen)	13.00			13.00
*	37-083 (K. Lisicky)	13.00			13.00
*	37-084 (S. Santon)	13.00			13.00
*	37-085 (G. Disano)	16.00			16.00
*	37-086 (R. Colangelo)	11.00			11.00
*	37-086-01 (City of Port Colborne)	5.00			5.00
*	37-087 (T. Gonyou)	11.00			11.00
*	37-070 (C. Isbester)	12.00			12.00
*	37-071 (R. Brownrigg)	13.00			13.00
*	37-072 (L. Winfield)	13.00			13.00
*	37-073 (A. Scolaro)	13.00			13.00
*	37-074 (D. Jacques)	13.00			13.00
*	37-075 (D. Weaving)	13.00			13.00
*	37-076 (A. Spadzinski)	13.00			13.00
*	37-077 (V. Della)	13.00			13.00
*	37-365 (1399908 Ontario Ltd.)	4.00			4.00
*	37-364 (1399908 Ontario Ltd.)	198.00			198.00
*	37-363 (1399908 Ontario Ltd.)	11.00			11.00
*	37-362 (1399908 Ontario Ltd.)	12.00			12.00
*	37-361 (1399908 Ontario Ltd.)	8.00			8.00
*	37-360 (1399908 Ontario Ltd.)	8.00			8.00
*	37-359 (1399908 Ontario Ltd.)	8.00			8.00
*	37-358 (1399908 Ontario Ltd.)	9.00			9.00

SCHEDULE OF NET ASSESSMENT (Cont'd)

BIEDERMAN DRAIN
City of Port Colborne

* = Non-agricultural

	ROLL NUMBER (OWNER)	TOTAL ASSESSMENT	GRANT	ALLOWANCES	APPROX. NET
*	37-337 (1399908 Ontario Ltd.)	7.00			7.00
*	37-338 (1399908 Ontario Ltd.)	7.00			7.00
*	37-339 (1399908 Ontario Ltd.)	5.00			5.00
*	37-340 (1399908 Ontario Ltd.)	5.00			5.00
*	37-341 (1399908 Ontario Ltd.)	5.00			5.00
*	37-342 (1399908 Ontario Ltd.)	5.00			5.00
*	37-343 (1399908 Ontario Ltd.)	5.00			5.00
*	37-344 (1399908 Ontario Ltd.)	5.00			5.00
*	37-345 (1399908 Ontario Ltd.)	5.00			5.00
*	37-346 (1399908 Ontario Ltd.)	5.00			5.00
*	37-347 (1399908 Ontario Ltd.)	5.00			5.00
*	37-348 (1399908 Ontario Ltd.)	5.00			5.00
*	37-349 (1399908 Ontario Ltd.)	5.00			5.00
*	37-350 (1399908 Ontario Ltd.)	5.00			5.00
*	37-351 (1399908 Ontario Ltd.)	8.00			8.00
*	37-352 (1399908 Ontario Ltd.)	7.00			7.00
*	37-353 (1399908 Ontario Ltd.)	7.00			7.00
*	37-354 (1399908 Ontario Ltd.)	7.00			7.00
*	37-355 (1399908 Ontario Ltd.)	5.00			5.00
*	37-356 (1399908 Ontario Ltd.)	8.00			8.00
*	37-385 (1399908 Ontario Ltd.)	8.00			8.00
*	37-384 (1399908 Ontario Ltd.)	7.00			7.00
*	37-383 (1399908 Ontario Ltd.)	8.00			8.00
*	37-382 (1399908 Ontario Ltd.)	7.00			7.00
*	37-381 (1399908 Ontario Ltd.)	8.00			8.00
*	37-380 (1399908 Ontario Ltd.)	8.00			8.00
*	37-396 (1399908 Ontario Ltd.)	8.00			8.00
*	37-395 (1399908 Ontario Ltd.)	7.00			7.00
*	37-394 (1399908 Ontario Ltd.)	7.00			7.00
*	37-393 (1399908 Ontario Ltd.)	7.00			7.00
*	37-392 (1399908 Ontario Ltd.)	7.00			7.00
*	37-391 (1399908 Ontario Ltd.)	8.00			8.00
*	37-421 (1399908 Ontario Ltd.)	8.00			8.00
*	37-422 (1399908 Ontario Ltd.)	8.00			8.00
*	37-423 (1399908 Ontario Ltd.)	8.00			8.00
*	37-424 (1399908 Ontario Ltd.)	7.00			7.00
*	37-425 (1399908 Ontario Ltd.)	7.00			7.00
*	37-426 (1399908 Ontario Ltd.)	7.00			7.00
*	37-449 (1399908 Ontario Ltd.)	7.00			7.00
*	37-450 (1399908 Ontario Ltd.)	5.00			5.00
*	37-451 (1399908 Ontario Ltd.)	5.00			5.00

SCHEDULE OF NET ASSESSMENT (Cont'd)

BIEDERMAN DRAIN
City of Port Colborne

* = Non-agricultural

	ROLL NUMBER (OWNER)	TOTAL ASSESSMENT	GRANT	ALLOWANCES	APPROX. NET
*	37-452 (1399908 Ontario Ltd.)	5.00			5.00
*	37-453 (1399908 Ontario Ltd.)	5.00			5.00
*	37-454 (1399908 Ontario Ltd.)	5.00			5.00
*	37-455 (1399908 Ontario Ltd.)	5.00			5.00
*	37-481 (1399908 Ontario Ltd.)	8.00			8.00
*	37-480 (1399908 Ontario Ltd.)	7.00			7.00
*	37-479 (1399908 Ontario Ltd.)	7.00			7.00
*	37-478 (1399908 Ontario Ltd.)	5.00			5.00
*	37-378 (1399908 Ontario Ltd.)	8.00			8.00
*	37-377 (1399908 Ontario Ltd.)	5.00			5.00
*	37-376 (1399908 Ontario Ltd.)	5.00			5.00
*	37-375 (1399908 Ontario Ltd.)	5.00			5.00
*	37-374 (1399908 Ontario Ltd.)	8.00			8.00
*	37-372 (1399908 Ontario Ltd.)	9.00			9.00
*	37-371 (1399908 Ontario Ltd.)	8.00			8.00
*	37-370 (1399908 Ontario Ltd.)	8.00			8.00
*	37-369 (1399908 Ontario Ltd.)	8.00			8.00
*	37-556 (1399908 Ontario Ltd.)	7.00			7.00
*	37-555 (1399908 Ontario Ltd.)	12.00			12.00
*	37-554 (1399908 Ontario Ltd.)	9.00			9.00
*	37-553 (1399908 Ontario Ltd.)	12.00			12.00
*	37-552 (1399908 Ontario Ltd.)	12.00			12.00
*	37-551 (1399908 Ontario Ltd.)	8.00			8.00
*	37-549 (1399908 Ontario Ltd.)	8.00			8.00
*	37-548 (1399908 Ontario Ltd.)	11.00			11.00
*	37-547 (1399908 Ontario Ltd.)	11.00			11.00
*	37-546 (1399908 Ontario Ltd.)	11.00			11.00
*	37-545 (1399908 Ontario Ltd.)	12.00			12.00
*	37-544 (1399908 Ontario Ltd.)	8.00			8.00
*	37-543 (1399908 Ontario Ltd.)	8.00			8.00
*	37-542 (1399908 Ontario Ltd.)	8.00			8.00
*	37-541 (1399908 Ontario Ltd.)	8.00			8.00
*	37-540 (1399908 Ontario Ltd.)	8.00			8.00
*	37-539 (1399908 Ontario Ltd.)	8.00			8.00
*	37-103 (R. Rotella)	893.00			893.00
*	37-135 (City of Port Colborne)	5,242.00		2,180.00	3,062.00
*	37-130 (1784550 Ontario Inc.)	166.00			166.00
*	37-140-20 (2843966 Ontario Inc.)	128.00			128.00
*	37-140 (2440240 Ontario Inc.)	2,603.00		1,070.00	1,533.00
*	37-140-10 (Van Jon Paving Ltd.)	56.00			56.00
*	37-140-60 P. Wangler)	36.00			36.00

SCHEDULE OF NET ASSESSMENT (Cont'd)

BIEDERMAN DRAIN
City of Port Colborne

* = Non-agricultural

	ROLL NUMBER (OWNER)	TOTAL ASSESSMENT	GRANT	ALLOWANCES	APPROX. NET
*	38-238 (Elevate Fourth Developments Ltd.)	393.00			393.00
*	38-237 (L. Sardella)	600.00			600.00
*	38-265 (H. Wang)	8,383.00		2,970.00	5,413.00
*	38-263 (OverGreen Hill Investment Ltd.)	1,139.00			1,139.00
*	38-235-20 (N. Sergbese)	24.00			24.00
*	38-236 (P. Collins)	24.00			24.00
*	38-237-01 (D. Sardella)	29.00			29.00
*	38-237-02 (G. Sardella)	23.00			23.00
*	38-237-03 (D. Di Lorenzo)	15.00			15.00
*	38-237-04 (L. Look)	15.00			15.00
*	38-237-05 (P. Van Dyke)	16.00			16.00
*	38-237-06 (K. Minor)	16.00			16.00
*	38-237-07 (G. Hernandez)	15.00			15.00
*	38-237-08 (J. Salvatore)	19.00			19.00
*	38-237-10 (G. Brunette)	15.00			15.00
*	38-237-12 (G. Rowe)	15.00			15.00
*	38-237-14 (P. Masotti)	15.00			15.00
*	38-237-16 (C. Burghgraef)	15.00			15.00
*	38-238-05 (J. Rapattoni)	71.00			71.00
	38-264 (FAY Farms Trucking & Excavation Inc.)	6,468.00	2,156.00	2,370.00	1,942.00
*	38-264-05 (K. Kendell)	1,828.00		740.00	1,088.00
*	38-264-06 (S. Kendell)	1,876.00		750.00	1,126.00
*	38-264-07 (K. Kendell)	201.00			201.00
*	38-264-08 (S. Kendell)	257.00			257.00
*	38-239-05 (C. Hogg)	209.00			209.00
*	38-240 (D. Thomas)	102.00			102.00
*	38-241 (J. Beaudry)	47.00			47.00
*	38-242-01 (R. Caron)	20.00			20.00
*	38-239 (F. Hicks)	71.00			71.00
*	38-239-04 (P. Karastamatis)	111.00			111.00
*	38-239-03 (B. Haynes)	104.00			104.00
*	38-239-02 (K. Kendell)	246.00			246.00
*	38-239-01 (P. Macintrye)	195.00			195.00
*	38-286 (Infrastructure Ontario)	2,625.00		410.00	2,215.00
	38-285 (FAY Farms Trucking & Excavation Inc.)	1,568.00	523.00		1,045.00
*	38-245 (G. Adair)	1,831.00		900.00	931.00
*	38-244 (M. Lamontagne)	700.00		240.00	460.00
*	38-242 (G. Adair)	147.00			147.00
*	38-243 (T. Rodrigue)	5,194.00		1,990.00	3,204.00

SCHEDULE OF NET ASSESSMENT (Cont'd)

BIEDERMAN DRAIN
City of Port Colborne

* = Non-agricultural

	ROLL NUMBER (OWNER)	TOTAL ASSESSMENT	GRANT	ALLOWANCES	APPROX. NET
*	38-243-06 (J. Adair)	1,625.00		830.00	795.00
*	38-243-05 (J. Putman)	185.00			185.00
*	39-147 (Niagara Peninsula Conservation Au	530.00			530.00
*	39-147-75 (Niagara Peninsula Conservator	203.00			203.00
*	39-149 (C. Wurfel)	8.00			8.00
*	39-151 (E. Barevich)	1,377.00			1,377.00
	39-152 (C. Lewis)	1,289.00	430.00		859.00
	39-153 (C. Lewis)	33.00	11.00		22.00
	39-152-05 (C. Lewis)	197.00	66.00		131.00
	39-151-01 (E. Barevich)	190.00	63.00		127.00
	39-170 (J. Li)	1,381.00	460.00		921.00
*	39-174 (B. White)	84.00			84.00
*	39-171 (Macron Industries Corporation)	289.00			289.00
*	39-170-01 (2466739 Ontario Inc.)	51.00			51.00
*	39-169 (D. Kolacz)	46.00			46.00
*	39-168 (C. Gravel-Willie)	124.00			124.00
	39-175 (Triple G Farms Inc.)	1,965.00	655.00		1,310.00
	39-177 (Triple G Farms Inc.)	778.00	259.00		519.00
*	39-181-01 (R. Groszeibl)	309.00			309.00
*	38-287-01 (R. Groszeibl)	39.00			39.00
	38-287-02 (Triple G Farms Inc.)	39.00	13.00		26.00
	39-178 (Triple G Farms Inc.)	2,774.00	925.00		1,849.00
*	39-180 (W. Johnston)	33.00			33.00
*	39-181 (J. Sardo)	104.00			104.00
	38-287 (Triple G Farms Inc.)	157.00	52.00		105.00
	Elm Street	1,089.00			1,089.00
	Special Assessment	8,410.00			8,410.00
	Highway 58	5,611.00			5,611.00
	Special Assessment	20,300.00			20,300.00
	Lot 32/33 Unopened	1,267.00			1,267.00
	Townline Road (50%)	1,298.00			1,298.00
	Special Assessment	16,610.00			16,610.00
	Con. 3/4 Unopened	19,111.00			19,111.00
	Invertose Drive	4,587.00			4,587.00
	Stonebridge Drive	887.00			887.00
	Special Assessment	7,790.00			7,790.00
	Barrick Road	1,298.00			1,298.00
	Westfield Place	24.00			24.00
	Parkside Drive	87.00			87.00
	Aintree Place	13.00			13.00

SCHEDULE OF NET ASSESSMENT (Cont'd)

BIEDERMAN DRAIN
City of Port Colborne

* = Non-agricultural

ROLL NUMBER (OWNER)	TOTAL ASSESSMENT	GRANT	ALLOWANCES	APPROX. NET
Sherwood Drive	72.00			72.00
Meadowlark Drive	82.00			82.00
Springside Drive	67.00			67.00
Saturn Road	37.00			37.00
Apollo Drive	40.00			40.00
Oriole Crescent	51.00			51.00
Hillcrest Road	56.00			56.00
Runnymede Road	70.00			70.00
Thorncrest Road	79.00			79.00
Petersburg Circle	31.00			31.00
Humberstone Crescent	35.00			35.00
Oxford Boulevard	36.00			36.00
City of Welland				
2-075 (Triple G. Farms Inc.)	337.00	112.00		225.00
Townline Road (50%)	198.00			198.00
Township of Wainfleet				
* 1-250-50 (A. Dilorenzo Secord & N. Secord)	1,115.00			1,115.00
1-250 (Lowland Farms Limited)	12,989.00	4,330.00		8,659.00
* 1-254 (E. Robbins)	294.00			294.00
* 1-263 (N.P.C.A.)	612.00			612.00
* 1-262 (R. & C. Ethier)	484.00			484.00
* 1-260-01 (A. Tedesco)	510.00			510.00
* 1-260 (J. Nasato)	510.00			510.00
* 1-259-10 (Waterford Sand & Gravel Ltd.)	489.00			489.00
1-261 (Lowland Farms Ltd.)	3,289.00	1,096.00		2,193.00
1-261-02 (Lowland Farms)	28,103.00	9,368.00	2,770.00	15,965.00
* 1-261-04 (T. Lauricella & D. Sabo)	396.00			396.00
* 1-264 (Waterford Sand & Gravel Ltd.)	19,487.00		3,350.00	16,137.00
* 2-255 (Paul Cameron Holdings Inc.)	24,845.00		1,650.00	23,195.00
* 2-255-02 (Erie Tracker Outfitters Ltd.)	4,568.00		1,730.00	2,838.00
* 2-250 (Waterford Sand & Gravel Ltd.)	2,742.00			2,742.00
* 2-253 (J. & A. Lelay)	101.00			101.00
* 2-255-01 (Waterford Sand & Gravel Ltd.)	400.00			400.00
* 2-262 (Waterford Sand & Gravel Ltd.)	5,732.00			5,732.00
7-001 (FAY Farms Trucking & Excavation Inc.)	2,645.00	882.00	530.00	1,233.00
* 7-001-01 (Management Board Secretariat)	9,284.00			9,284.00

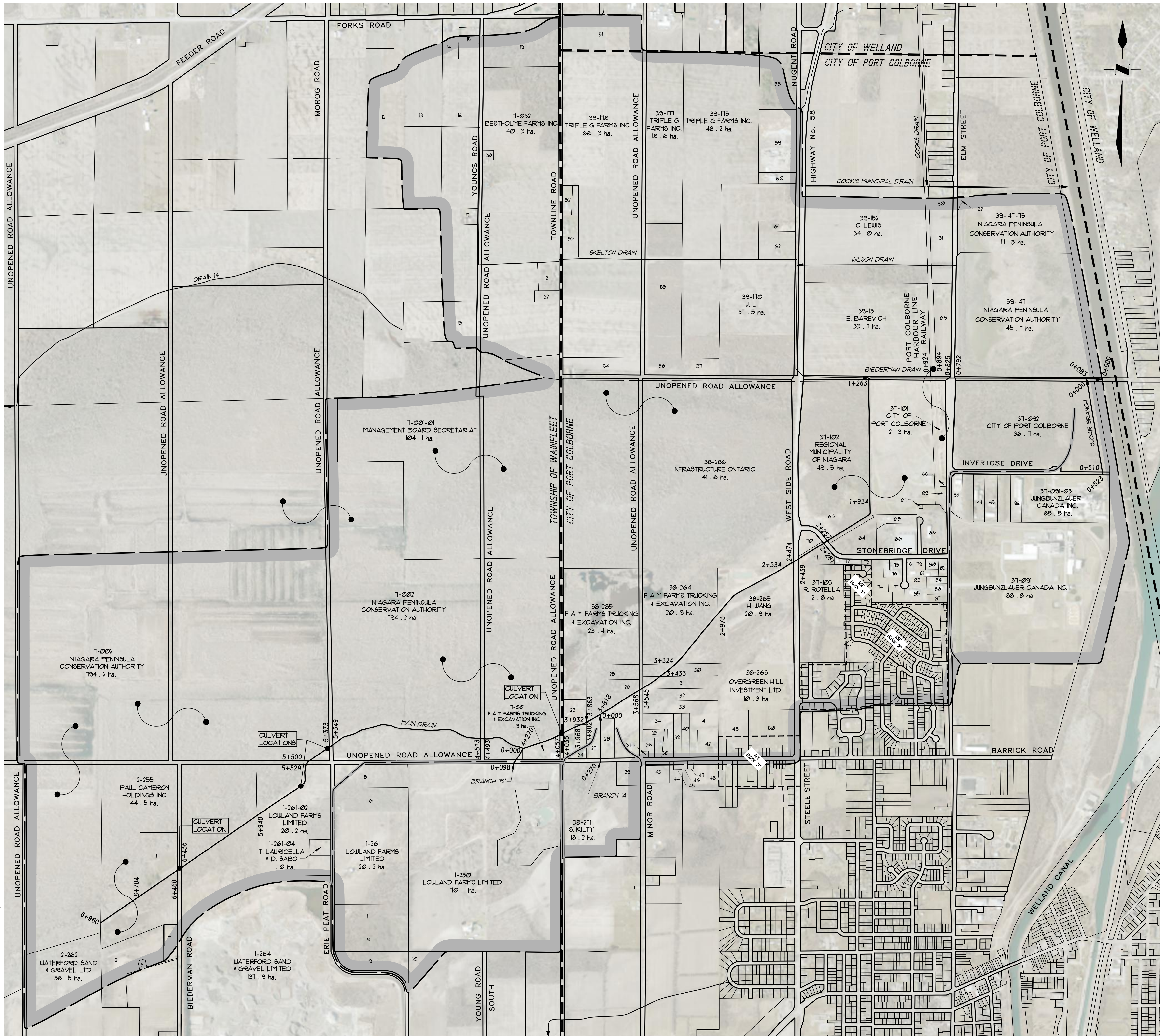
SCHEDULE OF NET ASSESSMENT (Cont'd)

BIEDERMAN DRAIN
City of Port Colborne

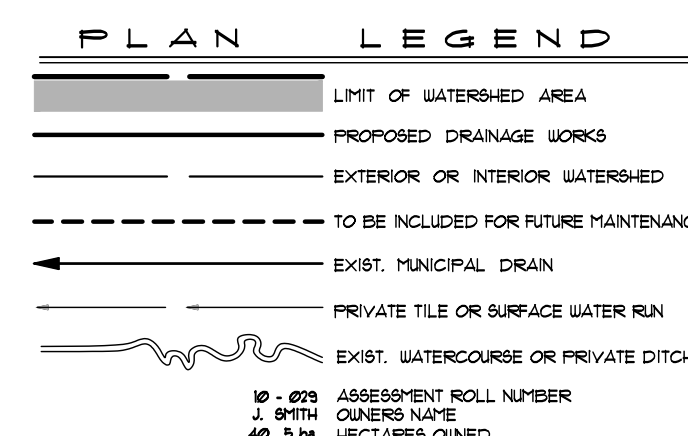
* = Non-agricultural

	ROLL NUMBER (OWNER)	TOTAL ASSESSMENT	GRANT	ALLOWANCES	APPROX. NET
*	7-002 (Niagara Peninsula Conservation Authority)	111,432.00		9,450.00	101,982.00
	7-032 (Bestholme Farms Inc.)	1,465.00	488.00		977.00
*	7-030 (M. & N. Petrusic)	169.00			169.00
*	7-031 (R. Scott)	13.00			13.00
*	7-029-02 (J. & D. Dobrindt)	74.00			74.00
*	7-029-01 (D. Hardman & L. Pasto)	33.00			33.00
	7-035 (G. Patri)	705.00	235.00		470.00
*	7-034-01 (1816601 Ontario)	41.00			41.00
*	7-034-04 (T. & C. Pahowski)	21.00			21.00
	7-033 (Triple G Farms Ltd.)	1,073.00	358.00		715.00
*	7-033-10 (G. Brown & A. Suters)	36.00			36.00
*	7-029 (N. D'Aurizio)	175.00			175.00
	7-036 (P. Martino)	384.00	128.00		256.00
	Townline Road (50%) Special Assessment	730.00 16,610.00			730.00 16,610.00
	Youngs Road	3,593.00			3,593.00
	Lot 1/2 Unopened	3,758.00			3,758.00
	Lot 3/4 Unopened	2,365.00			2,365.00
	Erie Peat Road	5,239.00			5,239.00
	Biederman Road Special Assessment	3,848.00 29,110.00			3,848.00 29,110.00
	Lot 7/8 Unopened	1,996.00			1,996.00
	Con. 2/3 Unopened	4,931.00			4,931.00
TOTALS		\$ 518,000.00	\$ 23,246.00	\$ 41,910.00	\$ 452,844.00

LOT 7 LOT 6 LOT 5 LOT 4 LOT 3 LOT 2 LOT 1 LOT 33 LOT 32 LOT 31 LOT 30 LOT 29 LOT 28 LOT 27



OWNERSHIP		HECTARES OWNED
1) 2-255-02	ERIE TRACKER OUTFITTERS LTD	5.44
2) 2-250	WATERFORD SAND & GRAVEL LTD	8.34
3) 2-253	J. & A. LELAY	0.20
4) 2-255-01	WATERFORD SAND & GRAVEL LTD	0.81
5) 1-263	N.P.C.A.	5.21
6) 1-262	R. & C. ETHER	4.80
7) 1-260-01	A. TEDESCO	5.06
8) 1-260	J. NASATO	5.06
9) 1-259-10	WATERFORD SAND & GRAVEL LTD	4.18
10) 1-254	E. ROBBINS	20.0
11) 1-250-50	A. DILORENZO SECORD & N. SECORD	10.8
12) 7-036	F. MARTINO	2.00
13) 7-035	G. PATRI	20.2
14) 7-034-01	1816601 ONTARIO	2.02
15) 7-034-04	T. & C. PAHOWSKI	0.52
16) 7-033	TRIPLE G FARMS LTD	73.8
17) 7-033-10	G. BROWN & A. SUTERS	0.86
18) 7-029	N. D'AUERIZIO	6.67
19) 7-030	M. & N. PETRUSIC	9.71
20) 7-031	R. SCOTT	0.32
21) 7-029-02	J. & D. DOBRINDT	1.75
22) 7-029-01	D. HARDMAN & L. PASTO	0.81
23) 38-245	G. ADAIR	2.74
24) 38-244	M. LAMONTAGNE	1.11
25) 38-242	G. ADAIR	2.30
26) 38-243	T. RODRIGUE	8.83
27) 38-243-06	J. ADAIR	1.62
28) 38-243-05	J. PUTMAN	1.62
29) 38-271-10	M. YALLIN	1.63
30) 38-264-05	K. KENDELL	2.70
31) 38-264-06	S. KENDELL	2.69
32) 38-264-07	K. KENDELL	2.69
33) 38-264-08	S. KENDELL	2.69
34) 38-239-05	C. HOGG	1.89
35) 38-240	D. THOMAS	1.00
36) 38-241	J. BEAUDRY	0.54
37) 38-242-01	R. CARON	0.11
38) 38-239	F. HICKS	0.39
39) 38-239-04	P. KARASTAMATIS	1.04
40) 38-239-03	B. HAYNES	1.04
41) 38-239-02	K. KENDELL	2.04
42) 38-239-01	F. MACINTYRE	1.62
43) 38-268	S. HOLJAK	1.53
44) 38-267-15	D. KISH	9.96
45) 38-235	A. GELSUMINI	0.21
46) 38-234	M. TODD	0.13
47) 38-233	T. STEAD	0.13
48) 38-232-02	L. PAMBIANCO	2.76
49) 38-238	ELEVATE FOURTH DEVELOPMENTS LTD.	3.35
50) 38-237	L. SARDELLA	5.11
51) 2-075	TRIPLE G FARMS INC.	10.8
52) 39-180	W. JOHNSTON	0.80
53) 39-181	J. SARDO	2.48
54) 38-287	TRIPLE G FARMS INC.	3.75
55) 39-181-01	R. GROSZEIBL	14.8
56) 38-287-01	R. GROSZEIBL	1.86
57) 38-287-02	TRIPLE G FARMS INC.	1.86
58) 39-174	B. WHITE	6.11
59) 39-171	MACRON INDUSTRIES CORPORATION	6.90
60) 39-170-01	2466739 ONTARIO INC.	1.23
61) 39-169	D. KOLACZ	1.08
62) 39-168	C. GRAVEL-WILLIE	2.98
63) 37-135	CITY OF PORT COLBORNE	0.08
64) 37-130	1784550 ONTARIO INC.	3.10
65) 37-133	L. SIMPSON	1.12
66) 37-131	1891039 ONTARIO INC.	3.61
67) 37-135	CITY OF PORT COLBORNE	5.75
68) 37-126	WTC REALTY INC.	3.63
69) 39-151-01	E. BAREVICH	4.55
70) 37-140-20	2843966 ONTARIO INC.	1.06
71) 37-140	2440240 ONTARIO INC.	1.59
72) 37-140-10	VAN JON PAVING LTD.	0.46
73) 37-140-50	F. WANDLER	0.39
74) 37-140-50	CITY OF PORT COLBORNE	1.82
75) 37-119	1650733 ONTARIO INC.	0.42
76) 37-111	1405354 ONTARIO LTD.	0.60
77) 37-140-55	R C FLAGMAN INC.	0.97
78) 37-118	788893 ONTARIO LTD.	0.21
79) 37-116	ESN ELECTRICAL SOLUTIONS NIAGARA INC.	0.41
80) 37-114	M. HENDERSON	0.41
81) 37-113	STOLK CONSTRUCTION LTD.	0.66
82) 37-101	CITY OF PORT COLBORNE	2.32
83) 37-112-20	MEDINA SUPPLY INC.	0.40
84) 37-101-05	MINOR FISHERIES LTD.	0.42
85) 37-101-20	R C FLAGMAN INC.	1.15
86) 37-141	5001829 ONTARIO INC.	0.63
87) 37-101-25	M. LEE	0.51
88) 37-098-20	REGIONAL MUNICIPALITY OF NIAGARA	0.07
89) 37-098-10	REGIONAL MUNICIPALITY OF NIAGARA	0.06
90) 39-153	C. LEWIS	1.60
91) 39-152-05	C. LEWIS	4.71
92) 39-149	C. WURFEL	0.18
93) 37-091-10	TRIMAC TRANSPORTATION SERVICES INC.	1.27
94) 37-091-08	1150617 ONTARIO INC.	1.58
95) 37-191-06	1814164 ONTARIO INC.	1.81
96) 37-091-04	CANERECTOR PROPERTIES INC.	1.58



WATERSHED PLAN SCALE 1 : 10 , 000

BIEDERMAN DRAIN

City of Port Colborne

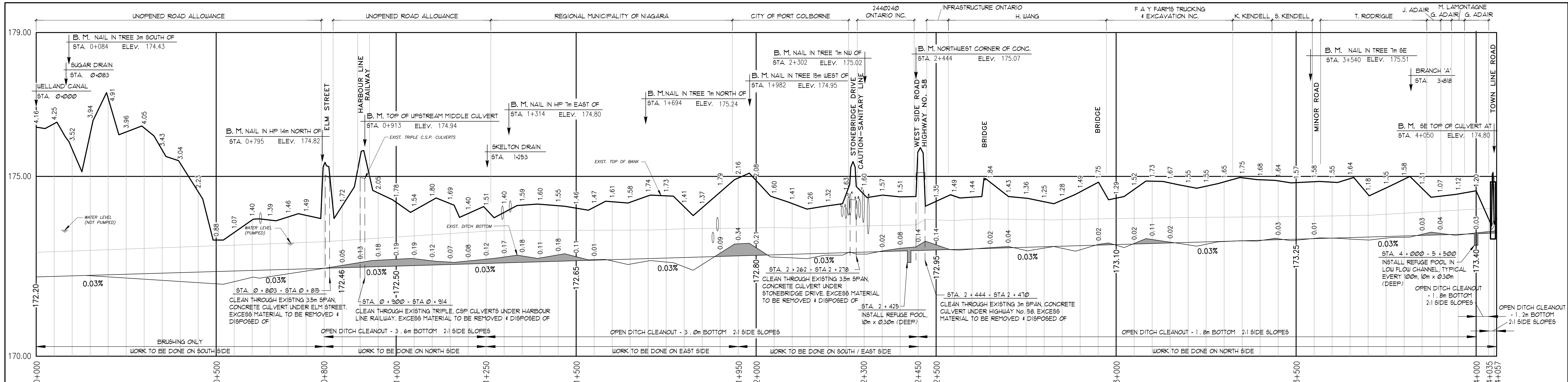
Drainage Superintendent: Port Colborne		Drainage Superintendent: Wainfleet	
ALANA VANDER VEEN 905-835-2901 EXT. 291		MARK JEMISON 905-899-3463 EXT. 228	
Drawn By: AP	Field Book	JOB No.	Drawing No.
Date: JAN. 12, 2023	G.F.S.	219271	1 of 1

B. E. WIDMER
100213023

SPRIET ASSOCIATES

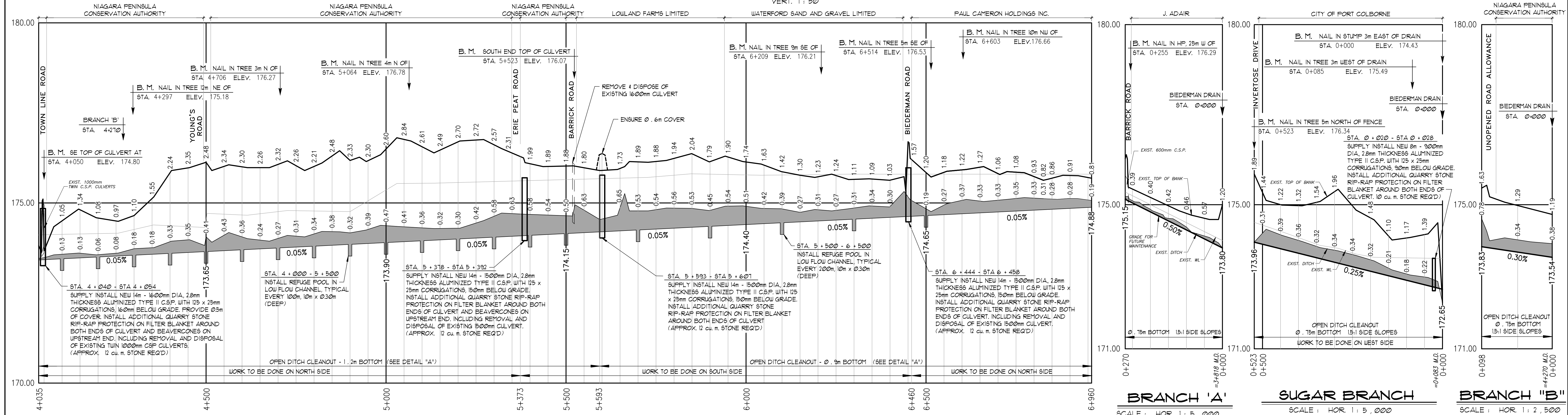
LONDON CONSULTING ENGINEERS LIMITED

155 YORK STREET - LONDON (519) 672-4100 - NEA 1A8



BIEDERMAN DRAIN

SCALE: HOR 1:5,000
VERT. 1:50

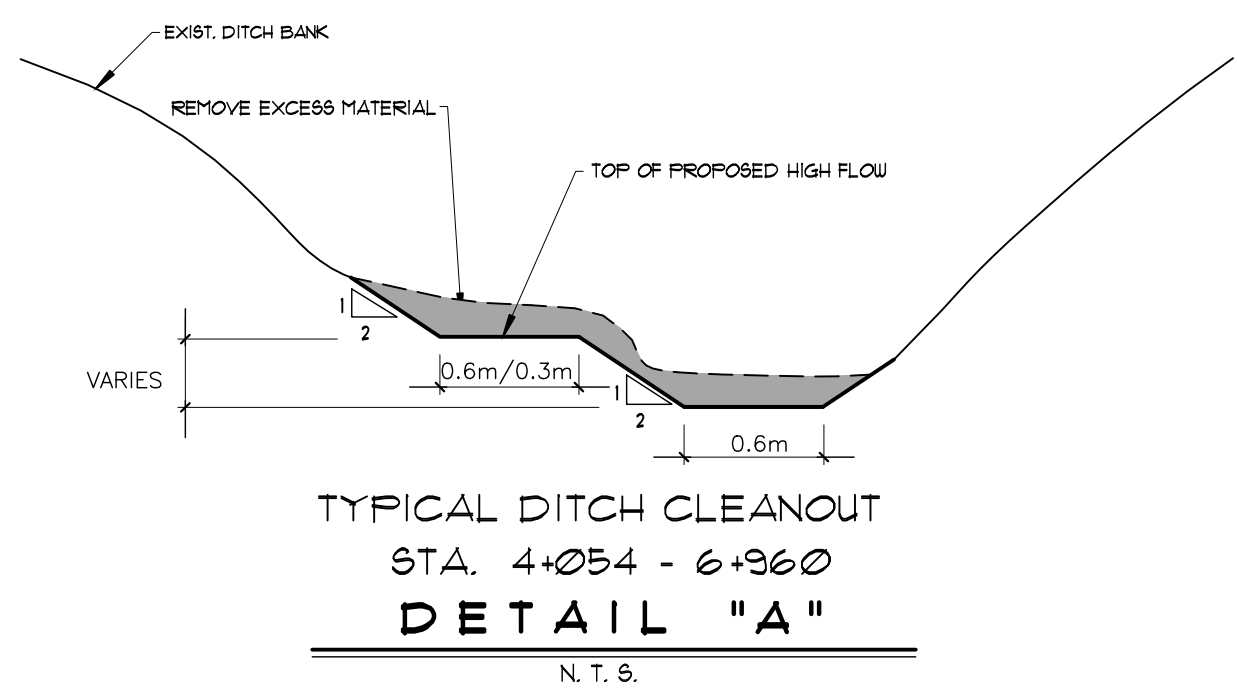


BIEDERMAN DRAIN

SCALE: HOR 1:5,000
VERT. 1:50

TILE OUTLETS

SIZE/TYPE	ELEVATION	DIRECTION
1) 300mm CSP	INV = 173.88	SOUTH
2) 300mm CSP	INV = 173.83	SOUTH
3) 525mm HDPE	INV = 173.92	NORTH
4) 625mm HDPE	INV = 173.74	NORTH
5) 525mm HDPE	INV = 173.80	NORTH
6) 525mm HDPE	INV = 173.85	NORTH
7) 900mm CSP	INV = 173.72	SOUTH
8) 1000mm CSP	INV = 173.40	SOUTH



GENERAL NOTES

- OUR SPECIFICATIONS DATED JANUARY 2010 APPLY TO THIS PROJECT.
- THE WORKING WIDTH AVAILABLE TO THE CONTRACTOR TO CONSTRUCT THE NEW DRAINS SHALL CONSIST OF THOSE LANDS IMMEDIATELY ADJACENT TO THE DRAIN AND CONNECTIONS AND SHALL NOT EXCEED THE FOLLOWING AVERAGE WIDTHS:
OPEN PORTIONS - 10 METERS
THE WORKING WIDTH FOR PURPOSES OF FUTURE MAINTENANCE SHALL BE 10M.
- ALL OWNERS ALONG THE COURSE OF THE DRAIN SHALL MAKE AN ACCESS ROUTE FROM THE NEAREST ROAD TO THE DRAIN LOCATION AVAILABLE TO THE CONTRACTOR THE AVERAGE WIDTH OF THIS ROUTE SHALL NOT EXCEED 3 METERS. THE ACCESS ROUTE SHALL ALSO APPLY FOR FUTURE MAINTENANCE PURPOSES.
- a) ALL UTILITIES TO BE LOCATED AND EXPOSED PRIOR TO CONSTRUCTION SO THAT THE NEW TILE GRADES CAN BE CONFIRMED. IF THERE IS A CONFLICT IN ELEVATION BETWEEN THE PROPOSED DRAIN AND THE UTILITY, THE ENGINEER IS TO BE NOTIFIED IMMEDIATELY.
b) CONTRACTOR TO NOTIFY ALL UTILITIES 12 HOURS PRIOR TO HIS SCHEDULED TIME FOR STARTING THE ABOVE WORK.
c) THE COST FOR THIS WORK SHALL BE INCLUDED IN THE ITEM ON THE EXTENT OF WORK AND NO EXTRA PAYMENT SHALL BE MADE TO THE CONTRACTOR, EXCEPT IF ROAD RESTORATION IS REQUIRED.
- ALL TREES, SCRUB, BRUSH, ETC. TO BE CLEARED AND GRUBBED IN ACCORDANCE WITH SECTION B.3 AND C.4 SPECIFICATIONS.
- RIP-RAP TO BE SUPPLIED AND INSTALLED IN ACCORDANCE WITH SECTION A.28 IN THE SPECIFICATIONS.
- CONTRACTOR TO ARRANGE A PRE-CONSTRUCTION MEETING WITH THE ENGINEER, DRAINAGE SUPERINTENDENT, AND THE AFFECTED OWNERS. ALL PARTIES SHALL RECEIVE 48 HOURS NOTICE TO THE MEETING.

- WORK TO BE COMPLETED FROM AND EXCAVATED MATERIAL TO BE DEPOSITED AND LEVELLED ON THE FOLLOWING SIDES OF THE DITCH IN ACCORDANCE WITH SECTION B.5 IN THE SPECIFICATIONS:
STA. 0+000 TO STA. 0+800 - SOUTH SIDE 4 LEVELED
STA. 0+800 TO STA. 1+250 - NORTH SIDE 4 LEVELED
STA. 1+250 TO STA. 1+950 - EAST SIDE 4 LEVELED
STA. 1+950 TO STA. 2+439 - EAST SIDE 4 LEVELED
STA. 2+439 TO STA. 5+373 - NORTH SIDE 4 LEVELED
STA. 5+373 TO STA. 6+460 - SOUTH SIDE 4 LEVELED
STA. 6+460 TO STA. 6+960 - NORTH SIDE 4 LEVELED
- SUGAR BRANCH
STA. 0+000 TO STA. 0+523 - WEST SIDE 4 LEVELED
- BRANCH "B"
STA. 0+000 TO STA. 0+098 - WEST SIDE 4 LEVELED
- OPEN PORTIONS
- A 3 METER WIDE BUFFER STRIP OF NEW 4 EXISTING VEGETATION BETWEEN THE TOP OF THE BANK AND THE CULTIVATED LANDS ON WEST SIDES OF THE DITCH SHALL BE MAINTAINED AS PART OF THE OPEN PORTION OF THE DRAIN.
- NEULY EXPOSED DITCH BANKS ARE TO BE HAND SEEDDED UPON COMPLETION OF CONSTRUCTION IN ACCORDANCE WITH SECTION B.11 IN THE SPECIFICATIONS
- SILT FENCE TO BE PLACED ACROSS DITCH BOTTOM AT STA. 0+000. INSTALL ONE AT EACH SEDIMENT TRAP DURING CONSTRUCTION TO PREVENT SILT FROM FLUSHING DOWNSTREAM AND ARE TO BE MAINTAINED AS NECESSARY DURING CONSTRUCTION. SILT FENCE AND SILT TO BE REMOVED AND DISPOSED OF AFTER CONSTRUCTION.

BIEDERMAN DRAIN

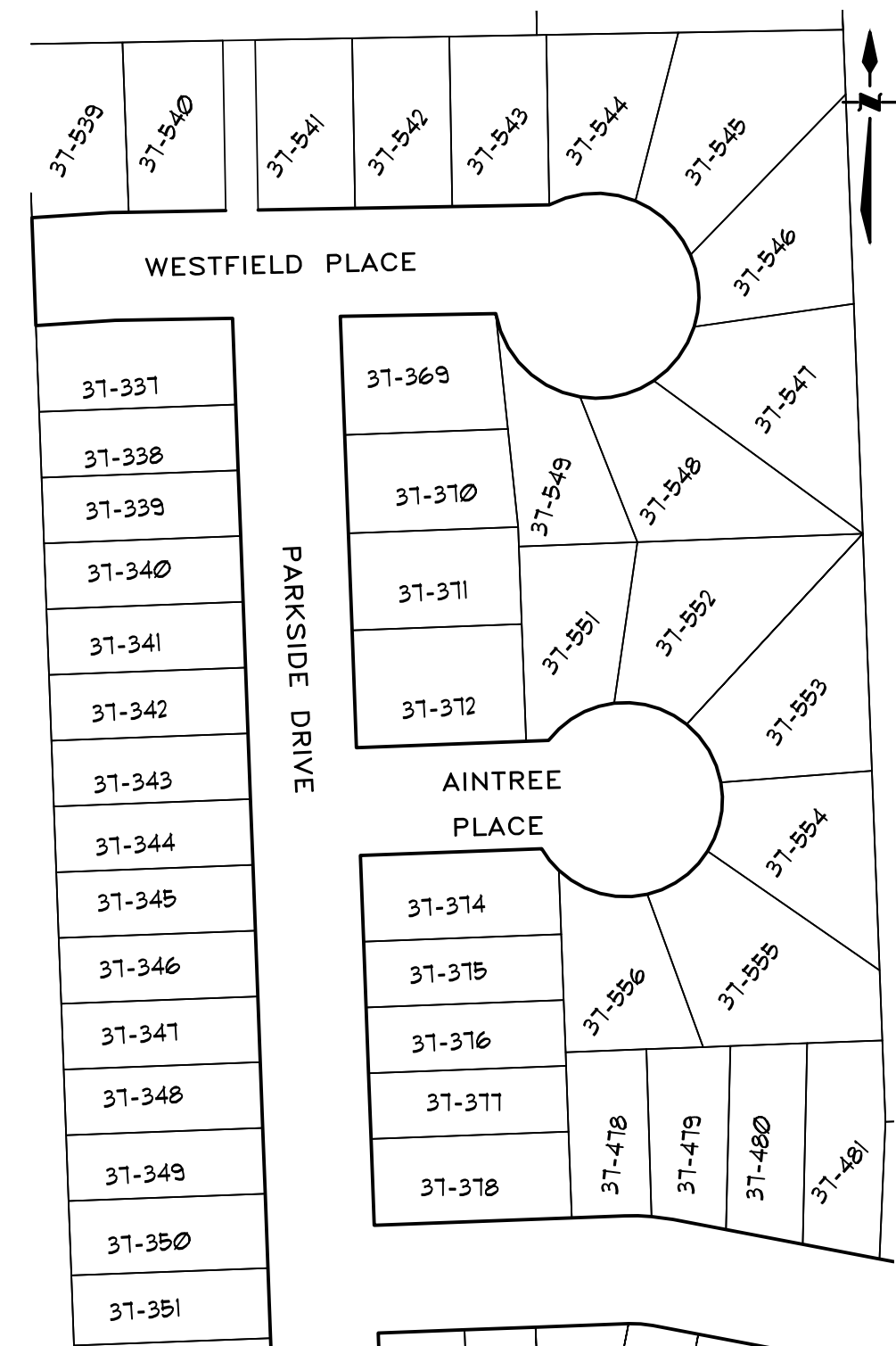
City of Port Colborne

Drainage Superintendent: Port Colborne ALANA VANDER VEEN 905-835-2901 EXT. 291		Drainage Superintendent: Wainfleet MARK JEMISON 905-899-3463 EXT. 228	
Drawn By: AP	Field Book	JOB No.	Drawing No.
Date: JAN. 12, 2023	G.P.S./B-117	219271	2 of 3

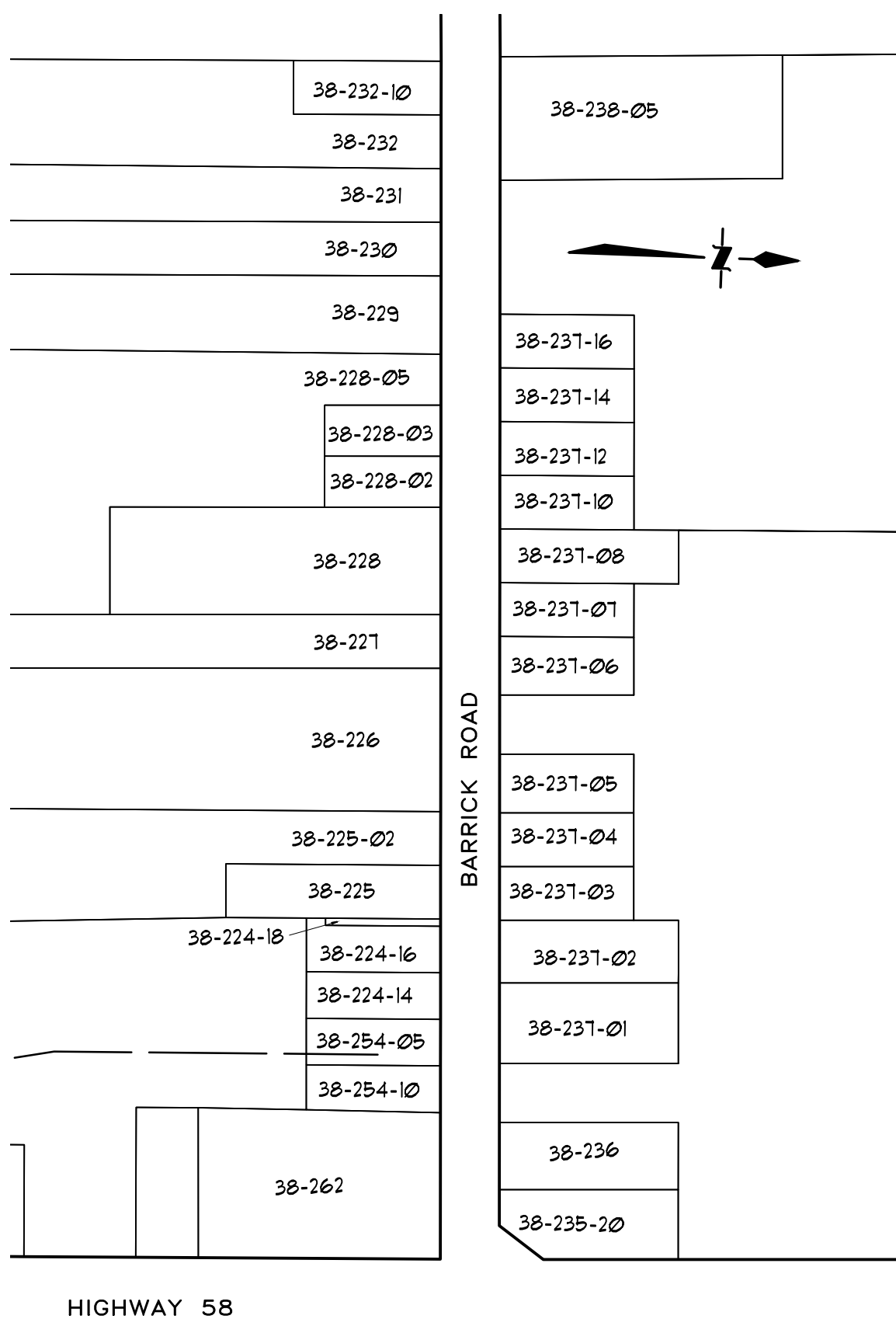
PROFILES & NOTES

SPRIET ASSOCIATES
LONDON LIMITED
CONSULTING ENGINEERS

155 YORK STREET - LONDON (519) 672-4100 - NEA 1A8



BLOCK "1" PLAN SCALE 1 : 1, 250



BLOCK "3" PLAN SCALE 1 : 2, 000



BLOCK "2" PLAN SCALE 1 : 1, 250

BIEDERMAN DRAIN
City of
Port Colborne

Drainage Superintendent: Port Colborne
ALANA VANDER VEEN
905-835-2901 EXT. 291

Drainage Superintendent: Wainfleet
MARK JEMISON
905-899-3463 EXT. 228

Drawn By: AP	Field Book	JOB No.	Drawing No.
Date: JAN. 12, 2023	G.F.S.	219271	3 of 3

PLANS

SPRIET ASSOCIATES
LONDON CONSULTING ENGINEERS LIMITED
155 YORK STREET - LONDON (519) 672-4100 - NEA 1A8